

# KR Electronics, Inc.

## General Description

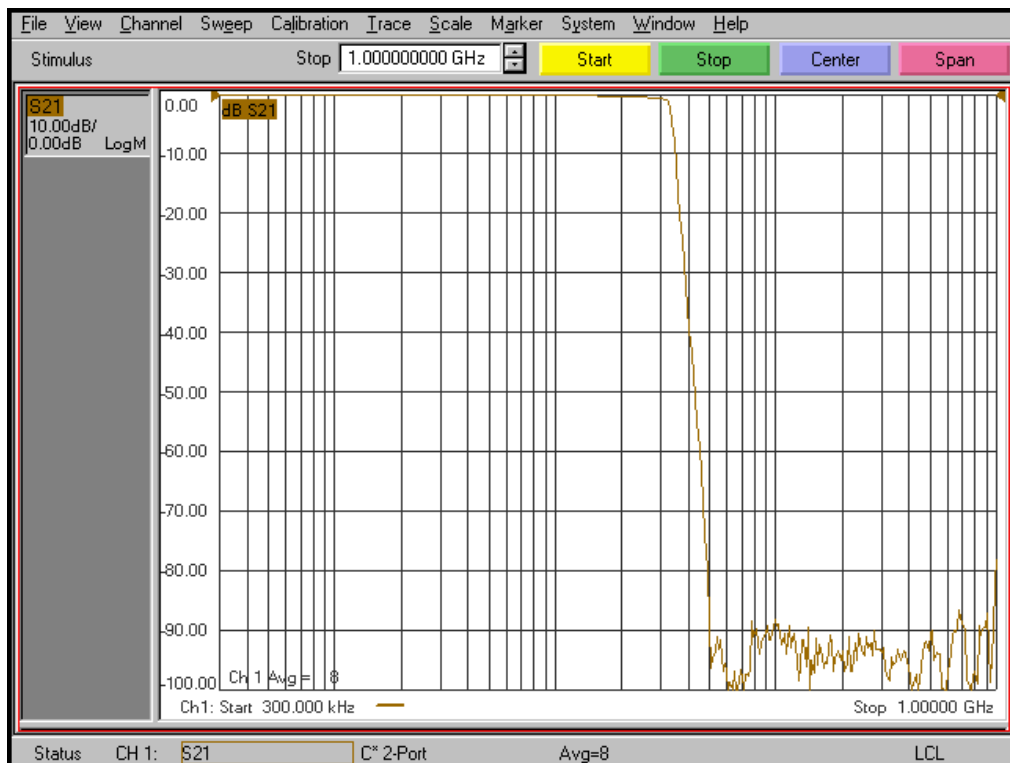
KR Electronics part number 3254-32-LP is a 32 MHz lowpass filter. Other cutoff frequencies are available. Please consult the factory.

## Features

- 32 MHz Lowpass Filter
- < 1 dB typical at 32 MHz
- Selective Elliptic Type
- 60 dB min at 50 MHz
- 50  $\Omega$  Source and Load
- Surface Mount -
- Available with SMA Connectors
- Other frequencies available

## Typical Performance

### Overall Response (10 dB/div)

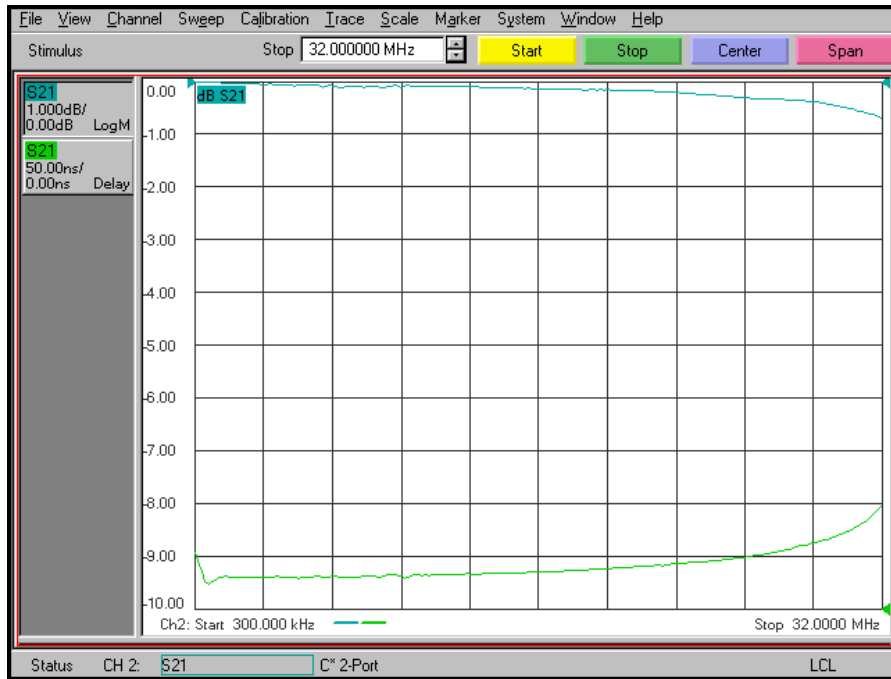


KR Electronics, Inc.  
91 Avenel Street  
Avenel, NJ 07001

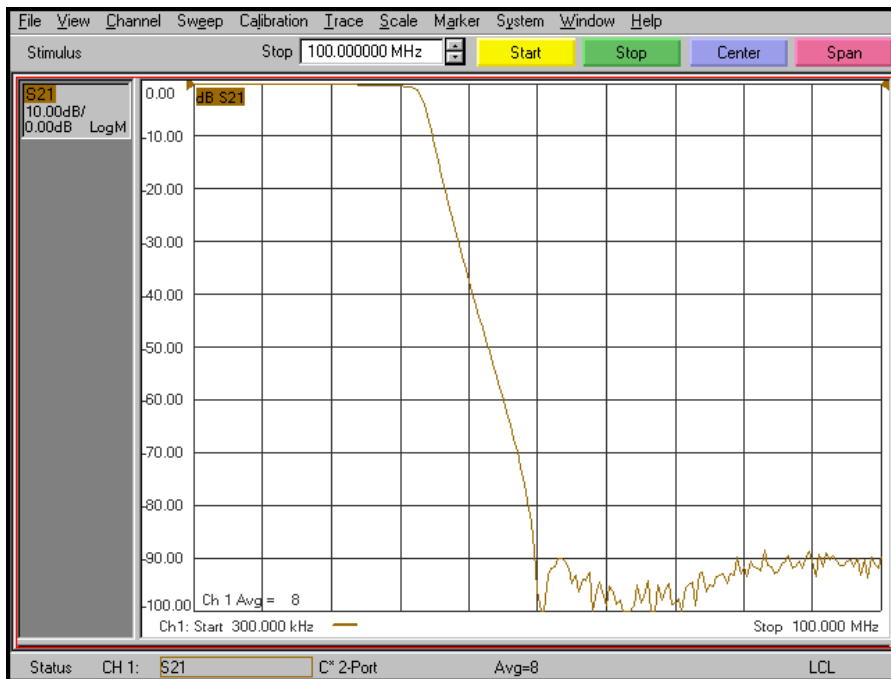
Web [www.krfilters.com](http://www.krfilters.com)  
Email [sales@krfilters.com](mailto:sales@krfilters.com)  
Phone (732) 636-1900  
Fax (732) 636-1982

# KR Electronics 3254-32-LP

## Passband Amplitude & Group Delay (1 dB/div & 50 nsec/div)



## Overall Response (10 dB/div)



KR Electronics, Inc.  
91 Avenel Street  
Avenel, NJ 07001

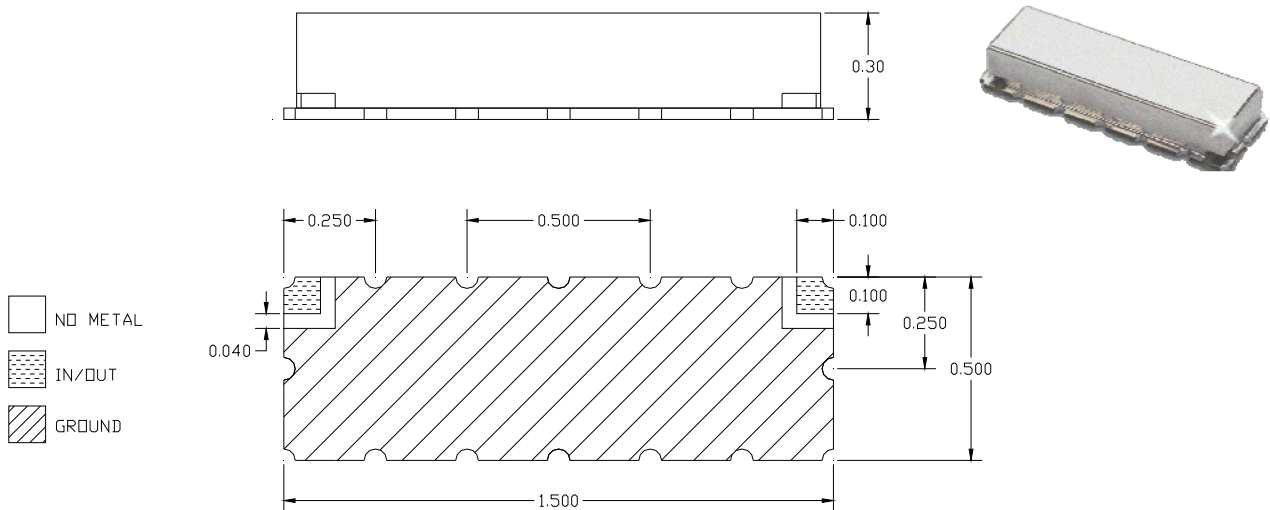
Web [www.krfilters.com](http://www.krfilters.com)  
Email [sales@krfilters.com](mailto:sales@krfilters.com)  
Phone (732) 636-1900  
Fax (732) 636-1982

# KR Electronics 3254-32-LP

## Specifications

Parameter	Specification	
Filter type	Lowpass	
Attenuation at 32 MHz	1.5 dB max	< 1 dB typical
Attenuation 50 to 1000 MHz	60 dB min	>80 dB to 1000 MHz typical
Source and Load	50 $\Omega$	

## Physical Dimensions



### Notes:

1. Surface mount package
2. Dimensions in inches
3. Max reflow temperature 230° C for 10 sec
4. If boards are cleaned after installation units must be completely dried