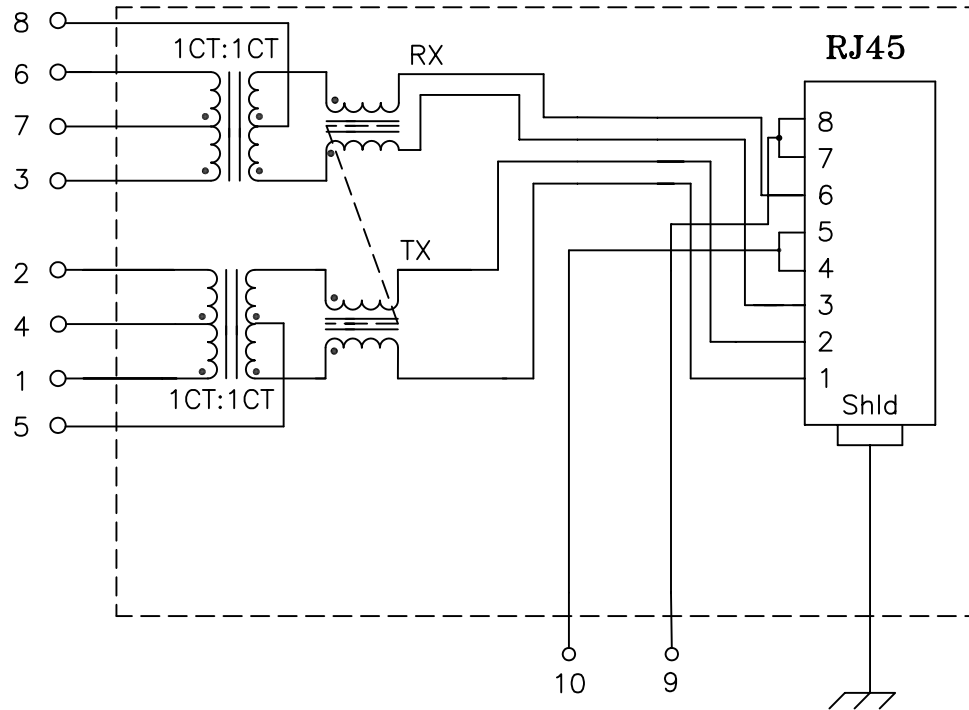


Schematic:



Electrical Specifications: @25°C

Isolation Voltage: 1500 Vrms (Input to Output)
 Isolation Voltage: 500 Vrms (P1+2+4 to P3+6+7)
 Isolation Voltage: 500 Vrms (J1+2, J3+6, J4+5 & J7+8, all combinations)
 Isolation Voltage: 500 Vrms (P9 to P10)
 Turns Ratio: TX 1CT:1CT ±3% RX 1CT:1CT ±3%
 Insertion Loss: 1.2dB Max @1-100 MHz
 Return Loss: 1-30MHz 40MHz 50MHz 60-80MHz
 16dB 14dB 13dB 12dB (Min)
 Differential to Common Mode Rejection:
 30MHz 60MHz 100MHz
 50dB 43dB 35dB (Min)
 Cross Talk: 30MHz 60MHz 100MHz
 43dB 37dB 33dB (Min)
 DC Current: 350mA
 Q: 18 Min @100KHz,100mV
 Power path withstanding : 70Vdc between Pins5 & 8, Pins 9 & 10

Notes:

1. Solderability: Leads shall meet MIL-STD-202G, Method 208H for solderability.
2. Flammability: UL94V-0
3. ASTM oxygen index: > 28%
4. UL Recognized Component: File Number E200238
5. Operating Temperature Range: All listed parameters are to be within tolerance from -40°C to +85°C
6. Storage Temperature Range: -55°C to +125°C
7. Aqueous wash compatible
8. Electrical and mechanical specifications 100% tested
9. RoHS Compliant Component

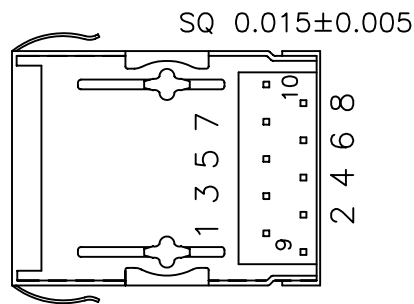
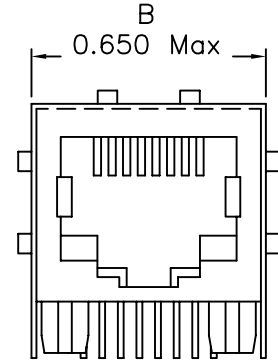
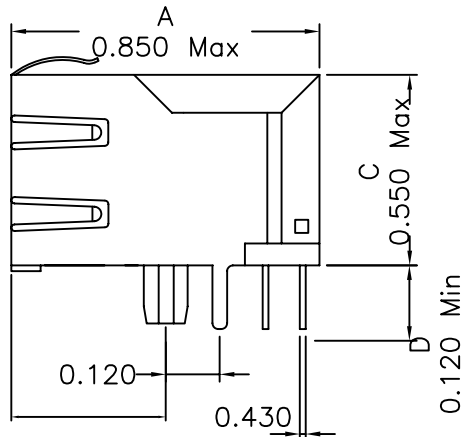
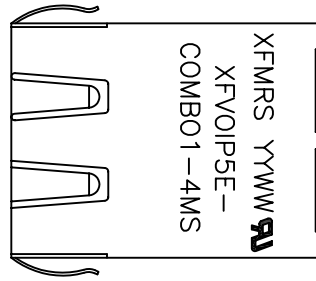
DOC. REV: A/7

XFMRs Inc. www.XFMRs.com	Title: Mechanical Dimensions For COMB01-4MS Series			
	UNLESS OTHERWISE SPECIFIED TOLERANCES: .xxx ±0.010 Dimensions in Inch		P/N: XFVOIP5E-COMB01-4MS	REV. A
SHEET 1 OF 2	DWN.	Mei Chen	Feb-18-11	
	CHK.	YK Liao	Feb-18-11	
	APP.	BW	Feb-18-11	

PROPRIETARY:

Document is the property of XFMRs Group & is not allowed to be duplicated without authorization.

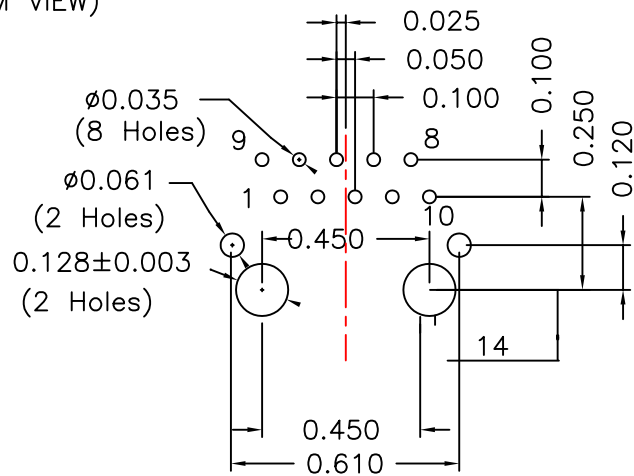
Mechanical Dimensions:



(BOTTOM VIEW)

Mounting Pattern:

(FOR COMBO1-4MS)
(COMP SIDE)



XFMRS Inc.
www.XFMRS.com

Title: Mechanical Dimensions
For COMBO1-4MS Series

UNLESS OTHERWISE SPECIFIED

P/N: XFV0IP5E-COMBO1-4MS

REV. A

TOLERANCES:

.xxx ±0.010
Dimensions in Inch

DWN.

Mei Chen

Feb-18-11

CHK.

YK Liao

Feb-18-11

SHEET 2 OF 2

APP.

BW

Feb-18-11

DOC. REV: A/7

PROPRIETARY:

Document is the property of XFMRS Group & is not allowed to be duplicated without authorization.