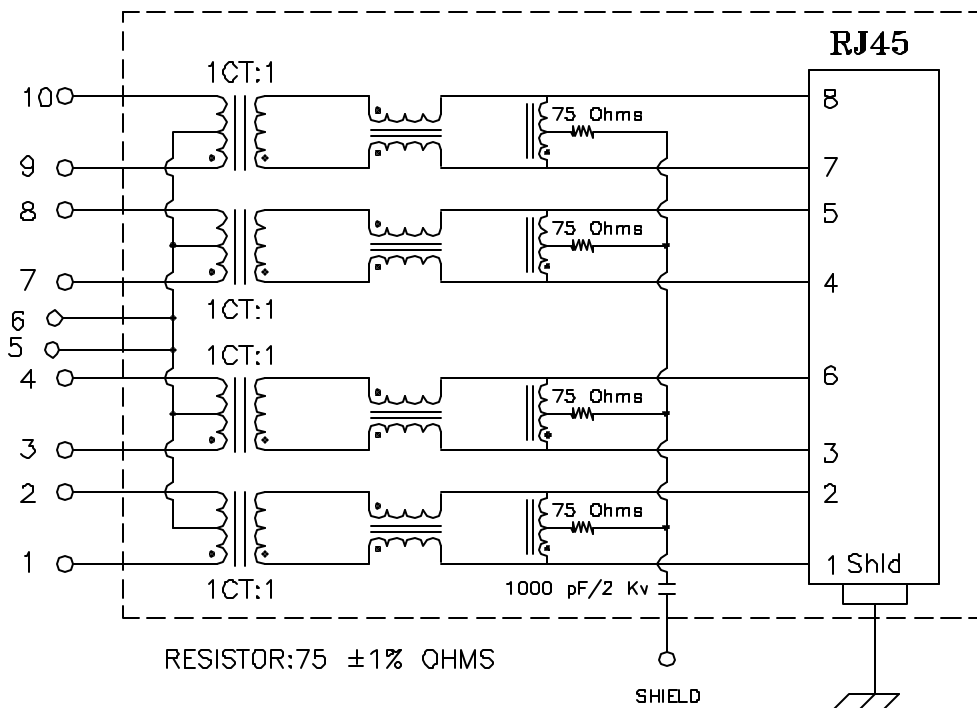


Schematic:



Electrical Specifications: @25°C

Isolation Voltage: 1500 Vrms (Input to Output)

OCL: 350uH MIN @100KHz 100mV 8mA DC

URNS RATIO: (PRI/SEC) 1CT:1CT ±2%

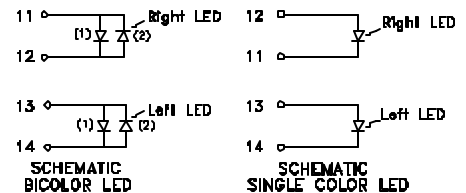
Q: 16 Min @100KHz 0.1V

Insertion Loss: -1.0dB Typ @1-100 MHz

Return Loss: 1-30MHz 30-60MHz 60-80MHz
 -16dB 16-20 Log(f/30 MHz)dB -10dB (Min)

CMRR: 1-60MHz 60-100MHz
 -40dB -35dB (Min)

Cross Talk: 1-60MHz 60-100MHz
 -40dB -38dB (Min)



Complete the Combo P/N as follows:

Replace 'x' & 'u' in the part number with one of the LED color letters:
 Y=Yellow 'x' = Left LED Color
 G=Green 'u' = Right LED Color
 A=Amber
 R=Red
 C=Green(1)/Amber(2) Bicolor
 D=Amber(1)/Green(2) Bicolor
 M=Green(1)/Yellow(2) Bicolor
 N=Yellow(1)/Green(2) Bicolor
 P=Red(1)/Green(2) Bicolor
 Q=Green(1)/Red(2) Bicolor
 E=Red(1)/Yellow(2) Bicolor
 F=Yellow(1)/Red(2) Bicolor
 H=Amber(1)/Yellow(2) Bicolor
 J=Green(1)/Green(2) Bicolor

Single Color LED: Bi-Color LED:

Notes:

- Solderability: Leads shall meet MIL-STD-202G, Method 208H for solderability.
- Flammability: UL94V-0
- ASTM oxygen index: > 28%
- Insulation System: Class F 155°C. UL file E151556
- Operating Temperature Range: All listed parameters are to be within tolerance from 0°C to +70°C
- Storage Temperature Range: -55°C to +125°C
- Aqueous wash compatible
- Electrical and mechanical specifications 100% tested
- RoHS Compliant Component

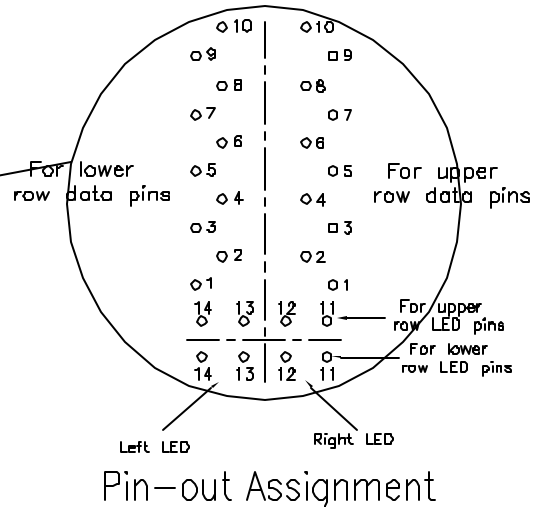
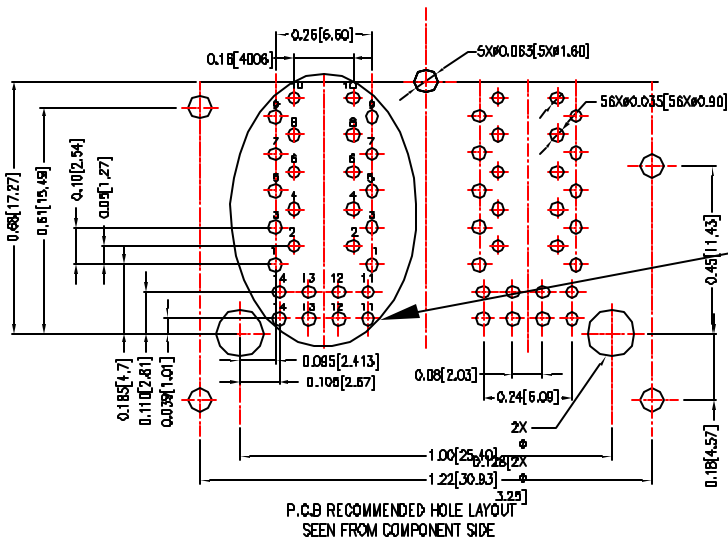
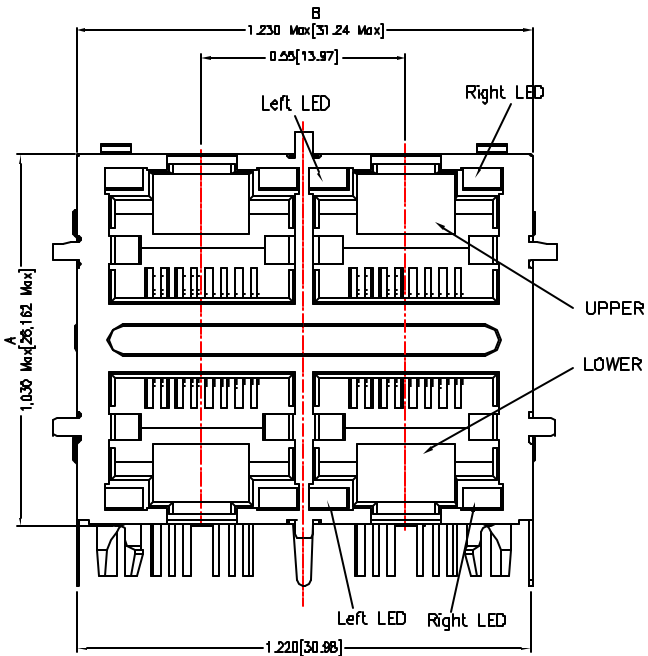
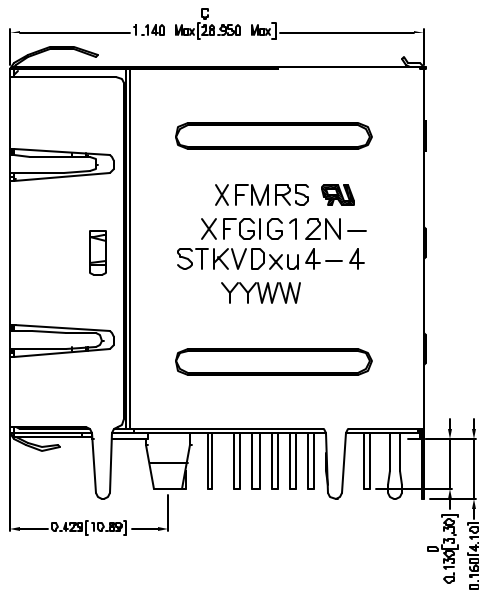
DOC. REV: A/3

XFMRS Inc. www.XFMRS.com		Title: QUAD PORT COMBO	
UNLESS OTHERWISE SPECIFIED TOLERANCES: .xxx ±0.010		P/N: XFGIG12N-STKVDxu4-4	REV. A
Dimensions in Inch	DWN.	Xianyi	Jul-31-09
SHEET 1 OF 2	CHK.	YK Liao	Jul-31-09
	APP.	Joe Huff	Jul-31-09

PROPRIETARY:

Document is the property of XFMRS Group & is not allowed to be duplicated without authorization.

Mechanical Dimensions:



DOC REV: A/3

PROPRIETARY

Document is the property of XFMRS Group & is not allowed to be duplicated without authorization.

XFMRS Inc. www.XFMRS.com		Title: Mechanical Dimensions For 2x2 Stacked COMBO with Vertical Dual lines Pins	
UNLESS OTHERWISE SPECIFIED TOLERANCES: .xxx ±0.010 [±0.25] Dimensions in Inch [mm]		P/N: XFGIG12N-STKVDxu4-4	REV. A
DWN.	Xiany	Jul-31-09	
CHK.	YK Liao	Jul-31-09	
SHEET 2 OF 2	APP.	Joe Huff	Jul-31-09