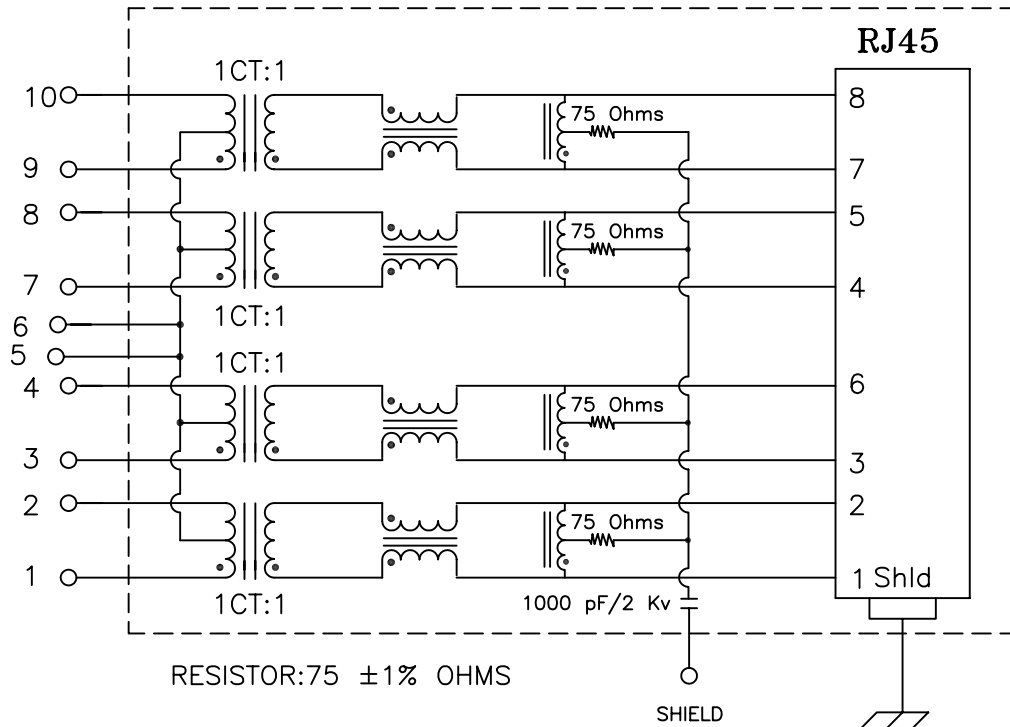


# Schematic:



## Electrical Specifications: @25°C

Isolation Voltage: 1500 Vrms (Input to Output)

OCL: 350uH MIN @100KHz 100mV 8mADC

URNS RATIO: (PRI/SEC) 1CT:1CT ±2%

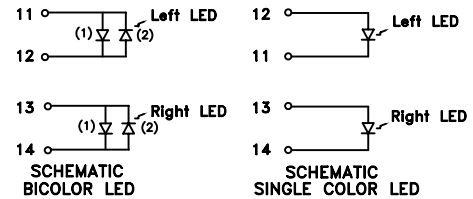
Q: 16 Min @100KHz 0.1V

Insertion Loss: -1.0dB Typ @1-100 MHz

Return Loss: 1-30MHz 30-60MHz 60-80MHz  
 -16dB 16-20 Log(f/30 MHz)dB -10dB (Min)

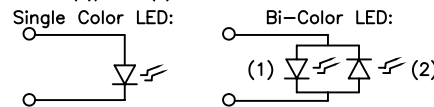
CMRR: 1-60MHz 60-100MHz  
 -40dB -35dB (Min)

Cross Talk: 1-60MHz 60-100MHz  
 -40dB -38dB (Min)



Complete the Combo P/N as follows:

Replace 'x' & 'u' in the part number with one of the LED color letters:  
 Y=Yellow 'x' = Left LED Color  
 G=Green 'u' = Right LED Color  
 A=Amber  
 R=Red  
 C=Green(1)/Amber(2) Bicolor  
 D=Amber(1)/Green(2) Bicolor  
 M=Green(1)/Yellow(2) Bicolor  
 N=Yellow(1)/Green(2) Bicolor  
 P=Red(1)/Green(2) Bicolor  
 Q=Green(1)/Red(2) Bicolor  
 E=Red(1)/Yellow(2) Bicolor  
 F=Yellow(1)/Red(2) Bicolor  
 H=Amber(1)/Yellow(2) Bicolor  
 J=Green(1)/Green(2) Bicolor



### Notes:

- Solderability: Leads shall meet MIL-STD-202G, Method 208H for solderability.
- Flammability: UL94V-0
- ASTM oxygen index: > 28%
- UL Recognized Component: File Number E200238
- Operating Temperature Range: All listed parameters are to be within tolerance from -40°C to +85°C
- Storage Temperature Range: -55°C to +125°C
- Aqueous wash compatible
- Electrical and mechanical specifications 100% tested
- RoHS Compliant Component

DOC. REV: A/3

<b>XFMRs Inc.</b> www.XFMRs.com	Title: SINGLE PORT COMBO		
	UNLESS OTHERWISE SPECIFIED	P/N: XFGIG12N-CTGxu4-4M	REV. A
TOLERANCES: .xxx ±0.010	DWN.	Mei Chen	Jun-11-10
Dimensions in Inch	CHK.	YK Liao	Jun-11-10
SHEET 1 OF 2	APP.	BW	Jun-11-10

**PROPRIETARY:**

Document is the property of XFMRs Group & is not allowed to be duplicated without authorization.

