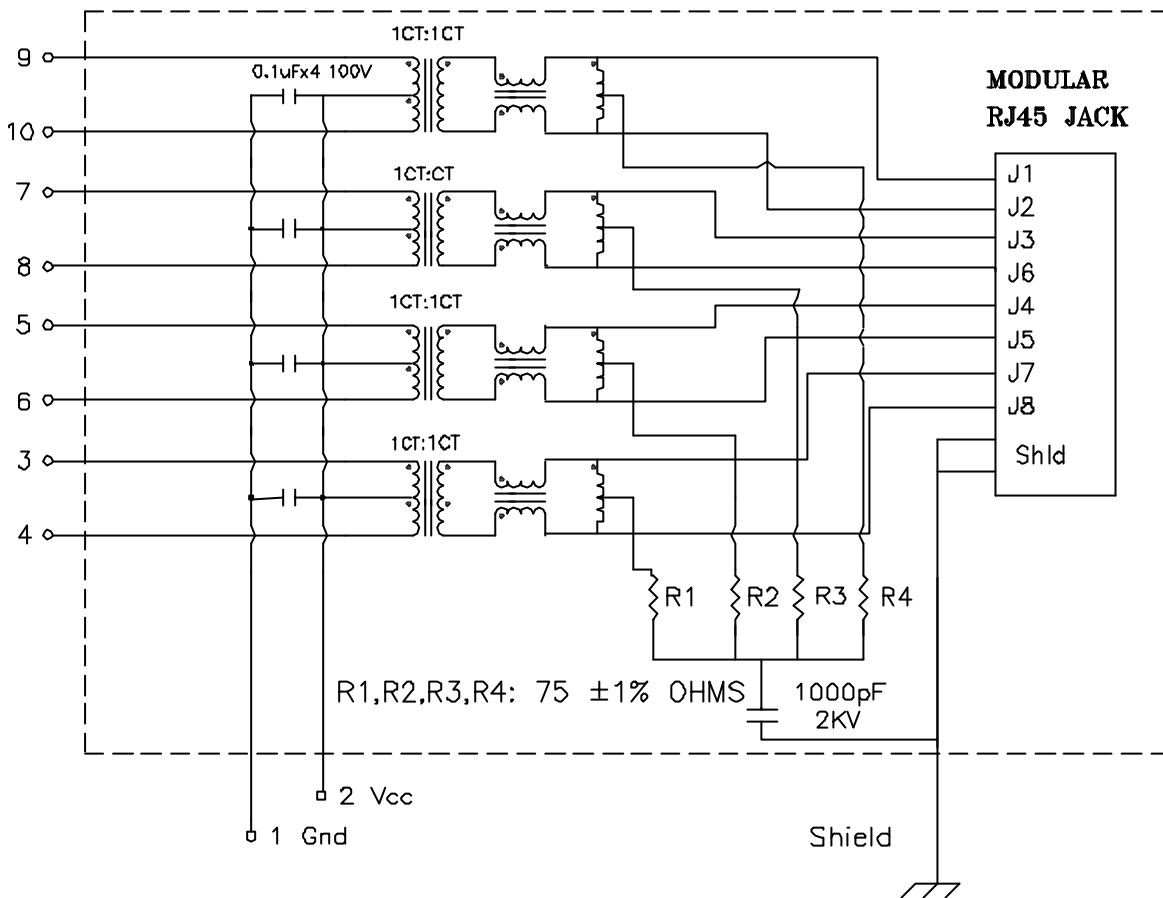


# Schematic: (Single Part)

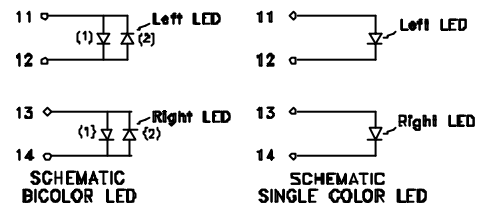


## Electrical Specifications: @25°C

- ISOLATION: 1500Vrms
- TURNS RATIO: (PRI/SEC) 1CT:1CT ±2%
- OCL: 350uH MIN @100KHz 100mV 8mADC
- RISE TIME: 2.50ns Max.
- INSERTION LOSS: -1.1dB Max @0.5MHz-100MHz
- RETURN LOSS: -18dB Min @0.5MHz-40MHz  
12-20LOG(f/80)dB Min @40.1Mhz-100Mhz
- CROSSTALK: -35dB Min @0.5MHz-40MHz  
33-20LOG(f/50)dB Min @40.1Mhz-100Mhz
- COMMON MODE REJECTION: -30dB Min @0.5MHz-100MHz

### Notes:

1. Solderability: Leads shall meet MIL-STD-202G, Method 208H for solderability.
2. Flammability: UL94V-0
3. ASTM oxygen index: > 28%
4. Insulation System: Class F 155°C. UL file E151556
5. Operating Temperature Range: All listed parameters are to be within tolerance from 0°C to +70°C
6. Storage Temperature Range: -55°C to +125°C
7. Aqueous wash compatible
8. Electrical and mechanical specifications 100% tested
9. RoHS Compliant Component



Complete the Combo P/N as follows:

Replace 'x' & 'u' in the part number with one of the LED color letters:  
 Y=Yellow  
 G=Green  
 A=Amber  
 R=Red  
 C=Green(1)/Amber(2) Bicolor  
 D=Amber(1)/Green(2) Bicolor  
 M=Green(1)/Yellow(2) Bicolor  
 N=Yellow(1)/Green(2) Bicolor  
 P=Red(1)/Green(2) Bicolor  
 Q=Green(1)/Red(2) Bicolor  
 E=Red(1)/Yellow(2) Bicolor  
 F=Yellow(1)/Red(2) Bicolor  
 H=Amber(1)/Yellow(2) Bicolor

Single Color LED: Bi-Color LED:

**XFMRs Inc**  
www.XFMRs.com

Title: 0.85" Tab-UP Single part

UNLESS OTHERWISE SPECIFIED  
TOLERANCES:  
.xxx ±0.010

P/N: XFGIG12M-CTxu1-4MS REV. A

Dimensions in Inch

DWN. Juan Mao Sep-04-08

SHEET 1 OF 2

CHK. YK Liao Sep-04-08

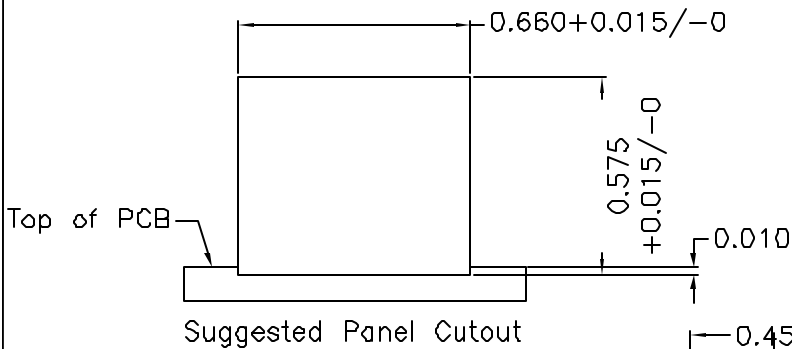
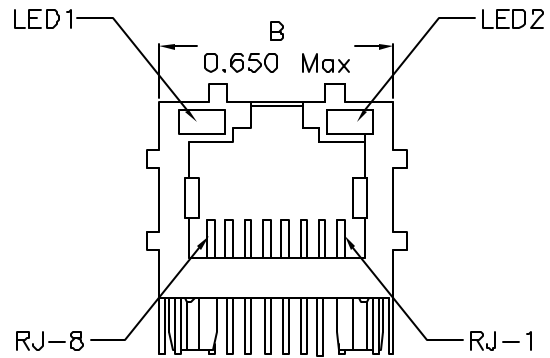
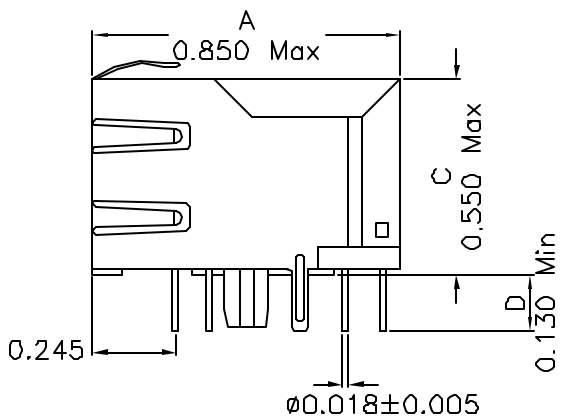
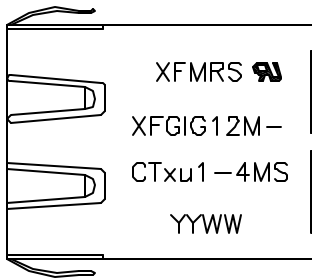
APP. BW Sep-04-08

DOC REV: A/1

**PROPRIETARY:**

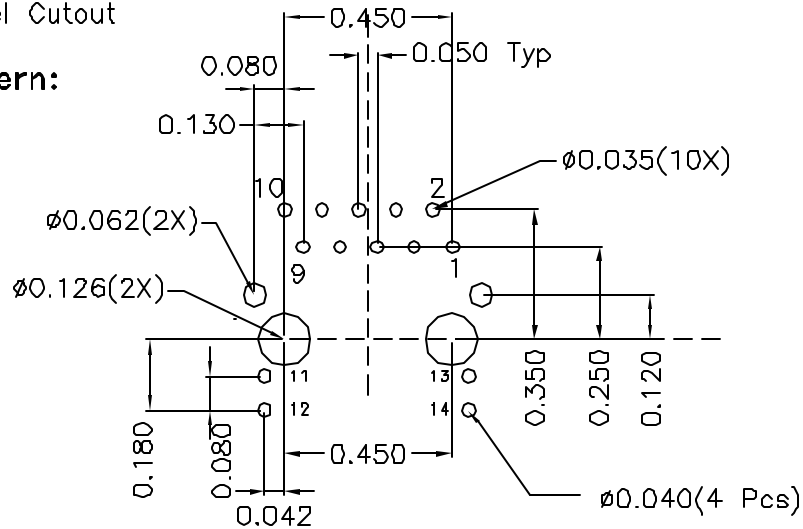
Document is the property of XFMRs Group & is not allowed to be duplicated without authorization.

### Mechanical Dimensions:



### Mounting Pattern:

(COMP SIDE)



DOC REV: A/1

<b>XFMRS Inc.</b> www.XFMRS.com	Title: 0.85" Tab-UP Single part		
	UNLESS OTHERWISE SPECIFIED TOLERANCES: .xxx ±0.010 Dimensions in Inch	P/N: XFGIG12M-CTxu1-4MS	REV. A
	DWN.	Xianyí	Sep-04-08
	CHK.	YK Liao	Sep-04-08
SHEET 2 OF 2	APP.	BW	Sep-04-08

**PROPRIETARY:**

Document is the property of XFMRS Group & is not allowed to be duplicated without authorization.