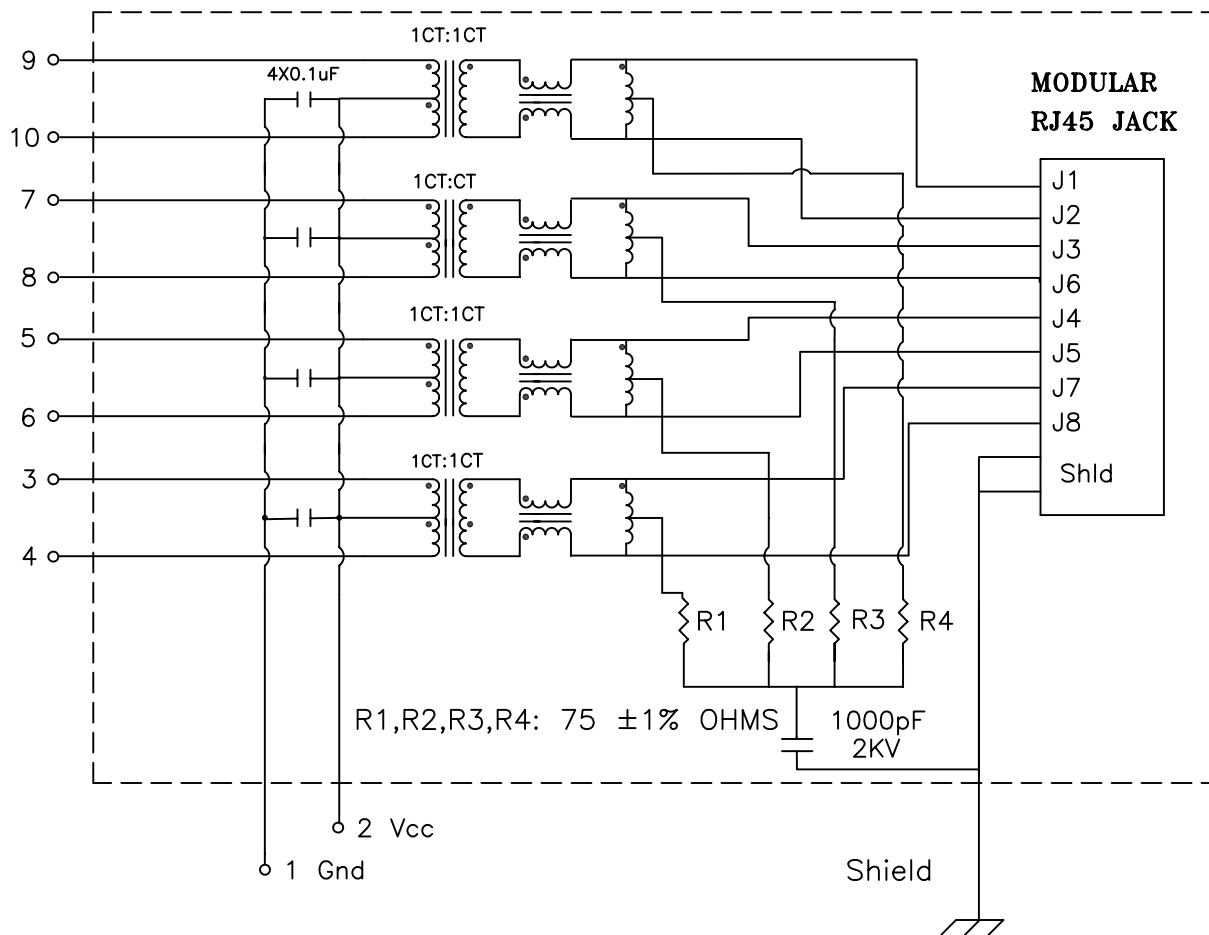


Schematic: (Four Ports)

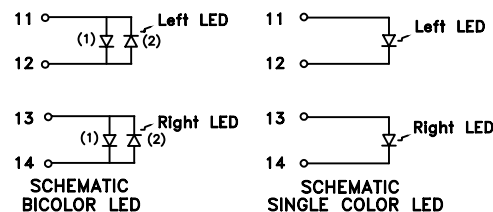


Electrical Specifications: @25°C

- ISOLATION: 2250VDC
- URNS RATIO: (PRI/SEC) 1CT:1CT ±2%
- OCL: 350uH MIN @100KHz 100mV 8mADC
- RISE TIME: 2.50ns Max.
- INSERTION LOSS: -1.0dB Typ @0.5MHz-100MHz
- RETURN LOSS: -18dB Min @0.5MHz-40MHz
12-20LOG(f/80)dB Min @40.1Mhz-100Mhz
- CROSSTALK: -35dB Min @0.5MHz-40MHz
33-20LOG(f/50)dB Min @40.1Mhz-100Mhz
- COMMON MODE REJECTION: -30dB Min @0.5MHz-100MHz
- Q: 18 Min @100KHz 0.1V

Notes:

1. Solderability: Leads shall meet MIL-STD-202G, Method 208H for solderability.
2. Flammability: UL94V-0
3. ASTM oxygen index: > 28%
4. UL Recognized Component: File Number E200238
5. Operating Temperature Range: All listed parameters are to be within tolerance from -40°C to +85°C
6. Storage Temperature Range: -55°C to +125°C
7. Aqueous wash compatible
8. Electrical and mechanical specifications 100% tested
9. RoHS Compliant Component



Complete the Combo P/N as follows:

Replace 'x' & 'u' in the part number with one of the LED color letters:
 Y=Yellow 'x' = Left LED Color
 G=Green 'u' = Right LED Color
 A=Amber
 R=Red
 C=Green(1)/Amber(2) Bicolor
 D=Amber(1)/Green(2) Bicolor
 M=Green(1)/Yellow(2) Bicolor
 N=Yellow(1)/Green(2) Bicolor
 P=Red(1)/Green(2) Bicolor
 Q=Green(1)/Red(2) Bicolor
 E=Red(1)/Yellow(2) Bicolor
 F=Yellow(1)/Red(2) Bicolor
 H=Amber(1)/Yellow(2) Bicolor

Single Color LED: Bi-Color LED:

DOC REV: B/2

XFMRS Inc
www.XFMRS.com

Title: "1" QUAD PORT COMBO
TAB UP

UNLESS OTHERWISE SPECIFIED

P/N: XFGIG12L-CTGxu4-4M

REV. B

TOLERANCES:
.xxx ±0.010

DWN.

Mei chen

Jun-05-10

Dimensions in Inch

CHK.

YK Liao

Jun-05-10

SHEET 1 OF 2

APP.

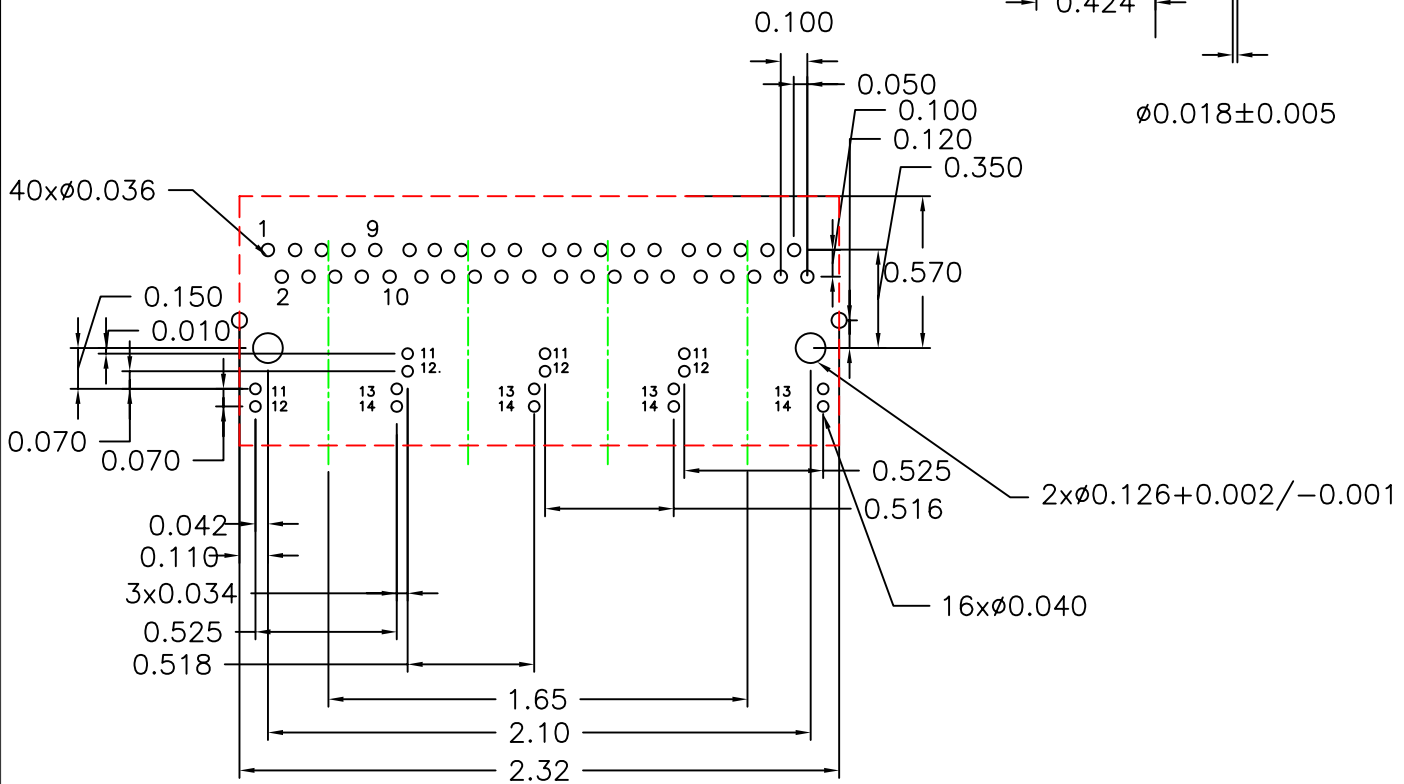
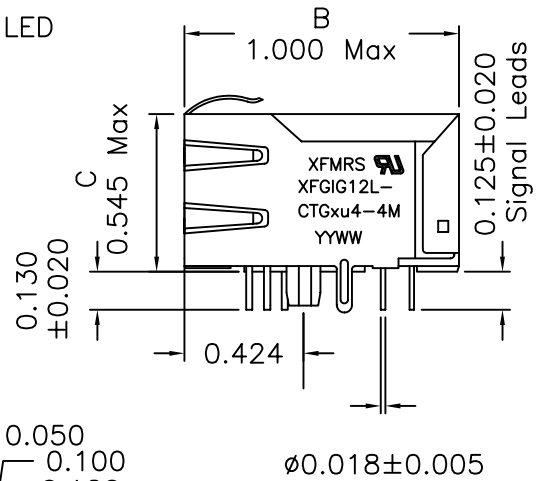
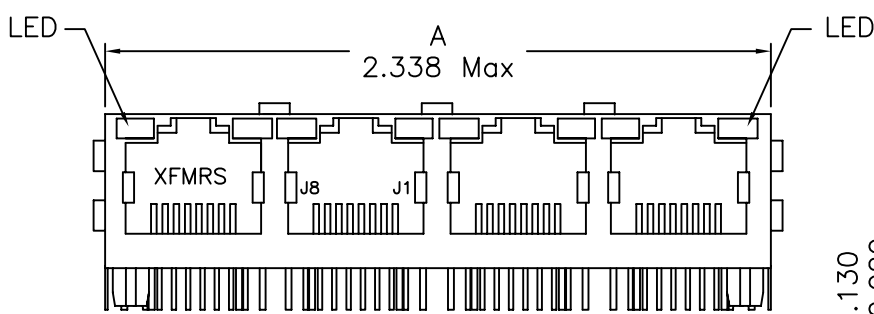
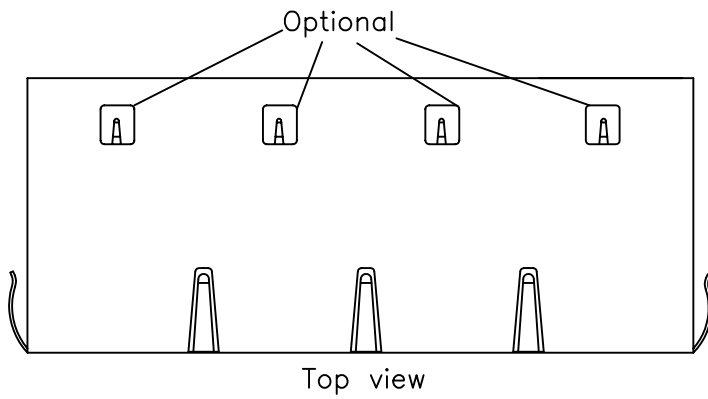
BW

Jun-05-10

PROPRIETARY:

Document is the property of XFMRS Group & is not allowed to be duplicated without authorization.

Mechanical Dimensions: (FOR CTGxu4-4M)



Four Port Suggested Footprint: (Top View)

DOC REV: B/2

XFMRS Inc
www.XFMRS.com

Title: 1" FOUR PORT COMBO
TAB UP

UNLESS OTHERWISE SPECIFIED
TOLERANCES:
.xxx ±0.010
Dimensions in Inch

P/N: XFGIG12L-CTGxu4-4M

REV. B

DWN.

Mei Chen

Jun-05-10

CHK.

YK Liao

Jun-05-10

APP.

BW

Jun-05-10

PROPRIETARY

Document is the property of XFMRS Group & is not allowed to be duplicated without authorization.

SHEET 2 OF 2