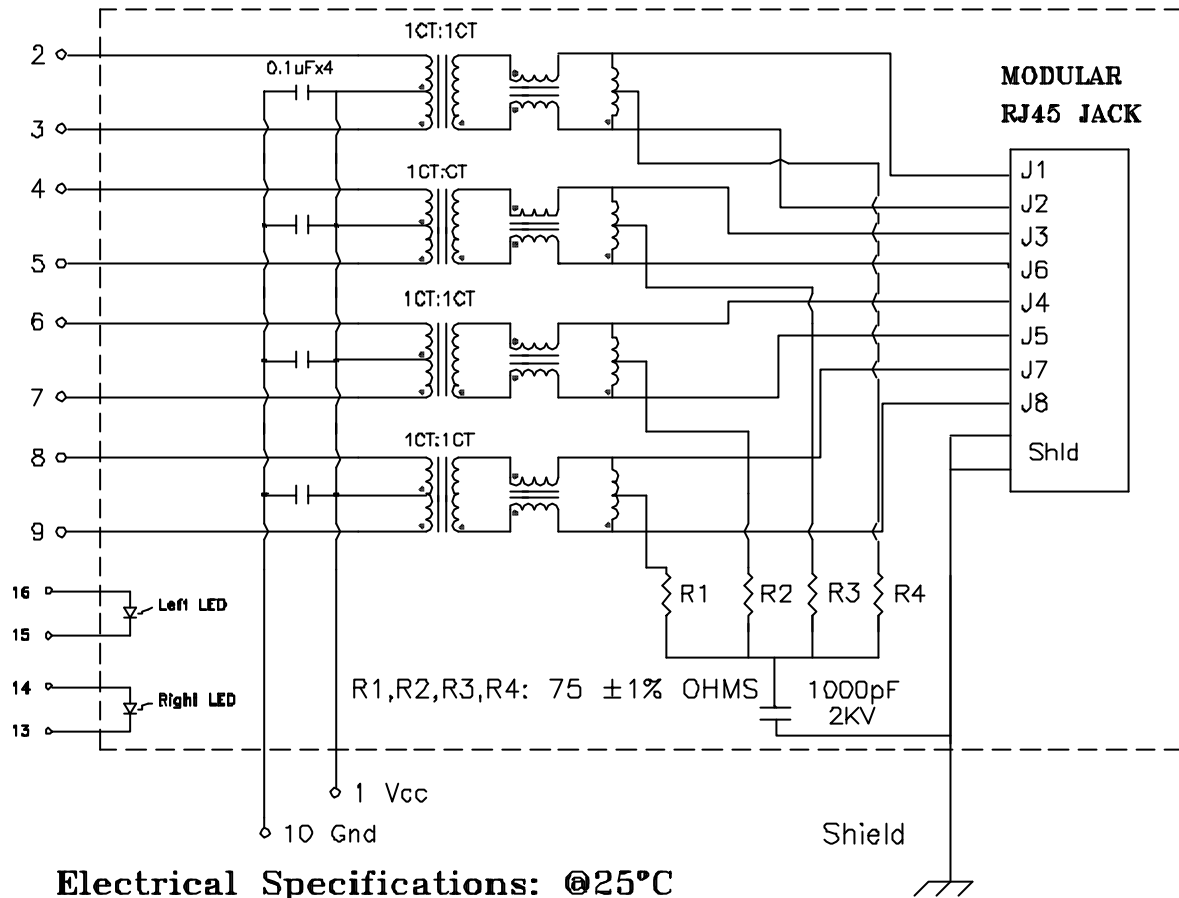


Schematic: (Single Port)



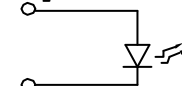
Electrical Specifications: @25°C

ISOLATION: 1500Vrms
 TURNS RATIO: (PRI/SEC) 1CT:1CT ±2%
 DCL: 350uH MIN @100KHz 100mV 8mADC
 RISE TIME: 2.5Dns Max.
 INSERTION LOSS: -1.0dB Max @0.1MHz-0.999MHz
 -0.4dB Max @1.0MHz-15MHz
 -0.6dB Max @15.1MHz-60MHz
 -1.1dB Max @60.1MHz-100MHz
 RETURN LOSS: -18dB Min @0.1MHz-15MHz
 -16dB Min @15.1MHz-60MHz
 -15dB Min @60.1MHz-80MHz
 -12dB Min @80.1MHz-100MHz
 CROSSTALK: -43dB Min @0.1MHz-0.999MHz
 -35dB Min @1.0MHz-15MHz
 -26dB Min @15.1MHz-30MHz
 -24dB Min @30.1MHz-100MHz
 COMMON MODE REJECTION: -46dB Min @0.1MHz-30MHz
 -42dB Min @30.1MHz-100MHz

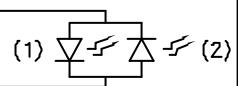
Complete the Combo P/N as follows:

Replace 'x' & 'u' in the part number with one of the LED color letters:
 Y=Yellow
 G=Green
 A=Amber
 R=Red
 C=Green(1)/Amber(2) Bicolor
 D=Amber(1)/Green(2) Bicolor
 M=Green(1)/Yellow(2) Bicolor
 N=Yellow(1)/Green(2) Bicolor
 P=Red(1)/Green(2) Bicolor
 Q=Green(1)/Red(2) Bicolor
 E=Red(1)/Yellow(2) Bicolor
 F=Yellow(1)/Red(2) Bicolor
 H=Amber(1)/Yellow(2) Bicolor
 J=Green(1)/Green(2) Bicolor

Single Color LED:



Bi-Color LED:



Notes:

- Solderability: Leads shall meet MIL-STD-202G, Method 208H for solderability.
- Flammability: UL94V-0
- ASTM oxygen index: > 28%
- Insulation System: Class F 155°C. UL file E151556
- Operating Temperature Range: All listed parameters are to be within tolerance from -40°C to +85°C
- Storage Temperature Range: -55°C to +125°C
- Aqueous wash compatible
- Electrical and mechanical specifications 100% tested
- RoHS Compliant Component

DOC REV: A/1

XFMRs Inc.
www.XFMRs.com

Title: SINGLE PORT COMBO

UNLESS OTHERWISE SPECIFIED
TOLERANCES:
.xxx ±0.010

Dimensions in Inch

SHEET 1 OF 2

P/N: XFGIG12K-CTxu1-4L

REV. B

DWN.

Juan Mao

Jan-18-06

CHK.

YK Liao

Jan-18-06

APP.

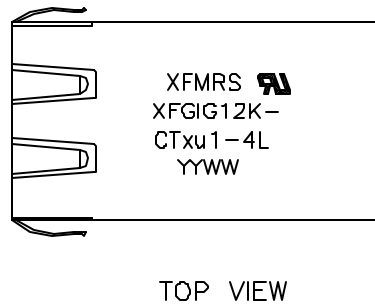
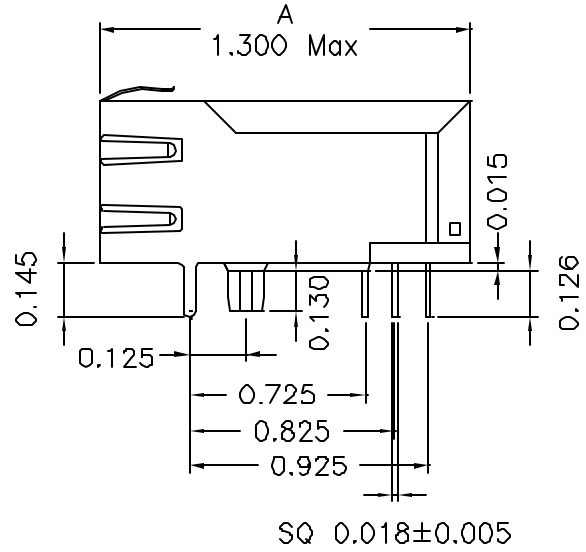
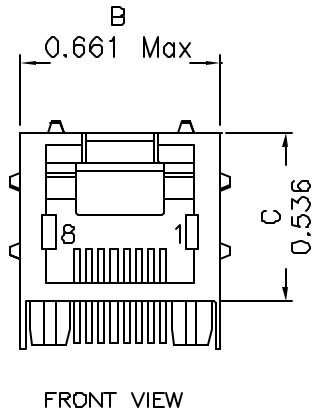
MS

Jan-18-06

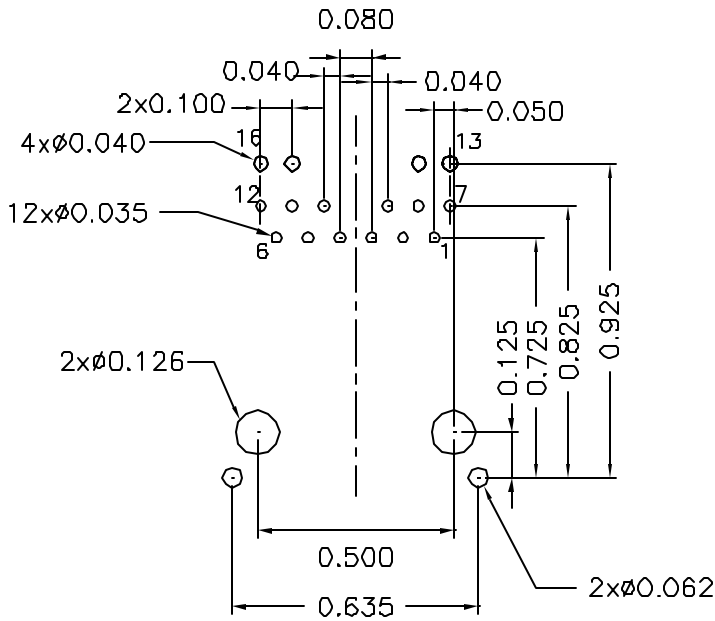
PROPRIETARY:

Document is the property of XFMRs Group & is not allowed to be duplicated without authorization.

Mechanical Dimensions:



Mounting Pattern:



DOC REV: A/1

XFMR5 Inc.	Title: Mechanical Dimensions For TAB UP RJ45 COMBO		
	UNLESS OTHERWISE SPECIFIED TOLERANCES: .xxx ±0.010 Dimensions in Inch	P/N: XFGIG12K-CTxu1-4L	REV. A
SHEET 2 OF 2	DWN.	Juan Mao	Jan-18-06
	CHK.	YK Liao	Jan-18-06
	APP.	MS	Jan-18-06

PROPRIETARY:

Document is the property of XFMR5 Group & is not allowed to be duplicated without authorization.