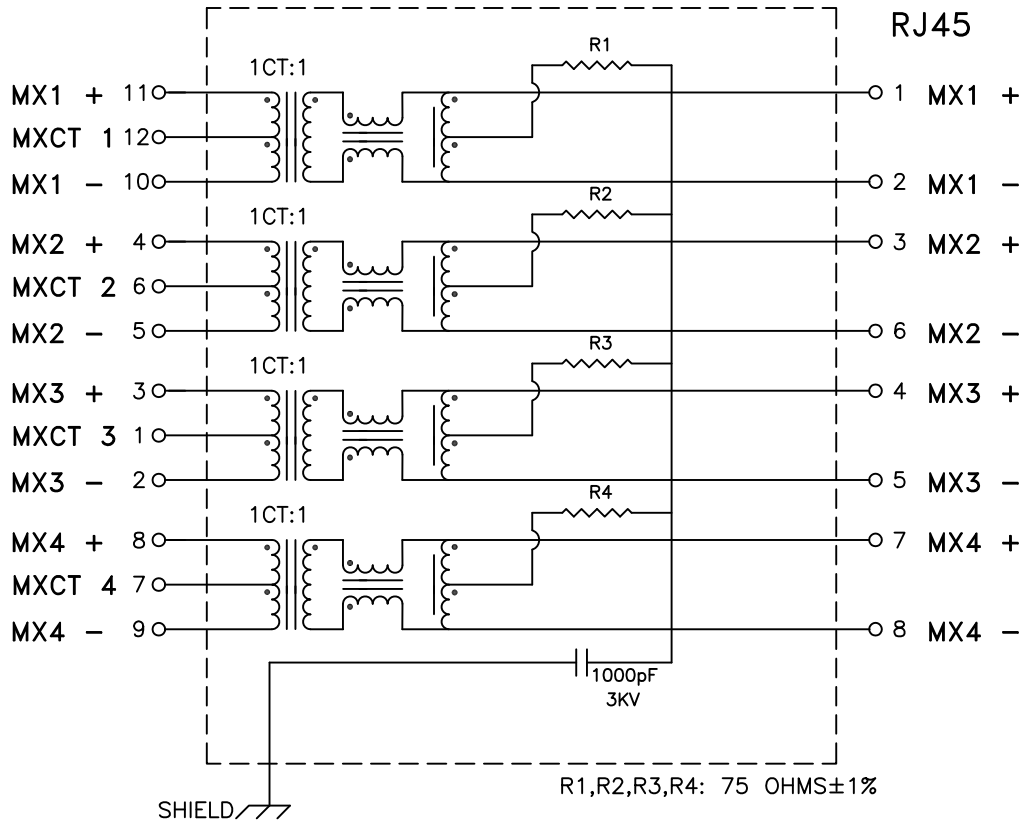


Schematic:



Electrical Specifications: @25°C

Isolation Voltage: 1500 Vrms @60Hz 1MIN

Common Mode Rejection: @1-50MHz -30dB Typ

@50-130MHz -20dB Typ

Crosstalk: @1-10MHz -40dB Typ

@30-60MHz -35dB Typ

@60-100MHz -30dB Typ

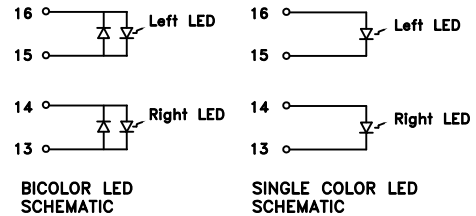
Insertion Loss (1-100MHz): -1.0dB Typ

Return Loss: @1-10MHz -20dB Typ

@30MHz -16dB Typ

@60-80MHz -12dB Typ

Q: 5 Min@100KHz 0.1V



- Notes:
- Solderability: Leads shall meet MIL-STD-202G, Method 208H for solderability.
 - Flammability: UL94V-0
 - ASTM oxygen index: > 28%
 - UL Recognized Component: File Number E165866
 - Operating Temperature Range: All listed parameters are to be within tolerance from -40°C to +85°C
 - Storage Temperature Range: -55°C to +125°C
 - Aqueous wash compatible
 - Electrical and mechanical specifications 100% tested
 - RoHS Compliant Component

DOC. REV: A/12

Complete the Combo P/N as follows:

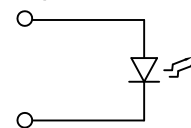
Replace 'x' & 'u' in the part number with one of the LED color letters:

Y=Yellow
G=Green
A=Amber
R=Red

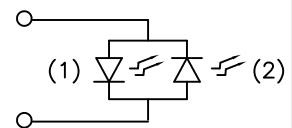
'x' = Left LED Color
'u' = Right LED Color

C=Green(1)/Amber(2) Bicolor
D=Amber(1)/Green(2) Bicolor
M=Green(1)/Yellow(2) Bicolor
N=Yellow(1)/Green(2) Bicolor
P=Red(1)/Green(2) Bicolor
Q=Green(1)/Red(2) Bicolor

Single Color LED:



Bi-Color LED:



XFMRs Inc
www.XFMRS.com

Title:
SINGLE PORT COMBO w/LEDs

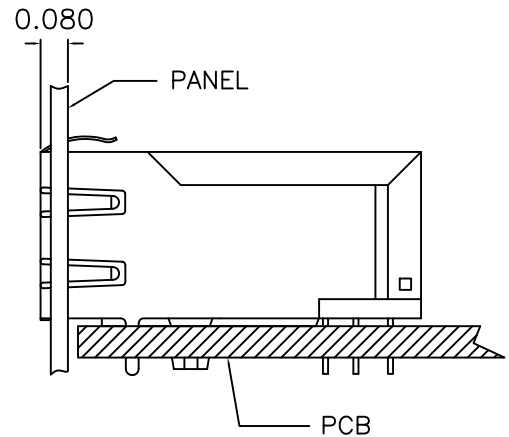
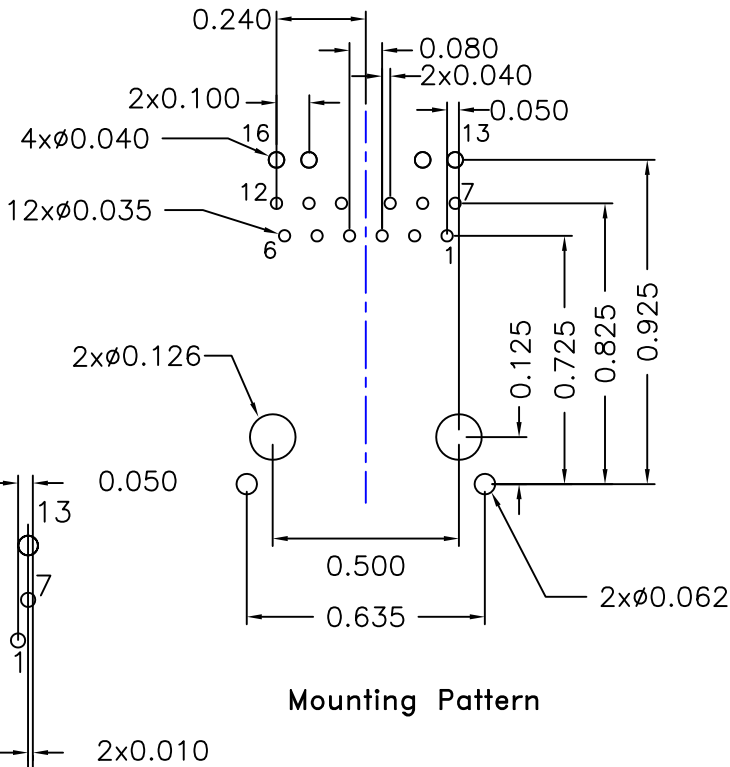
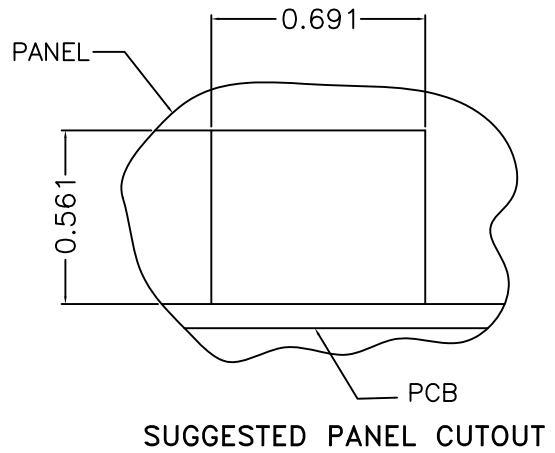
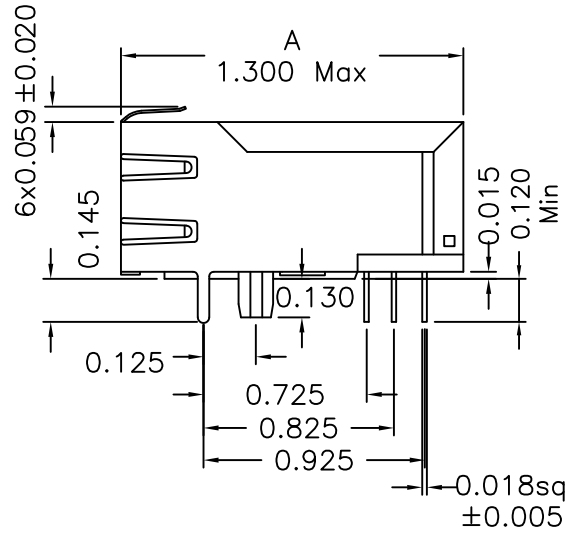
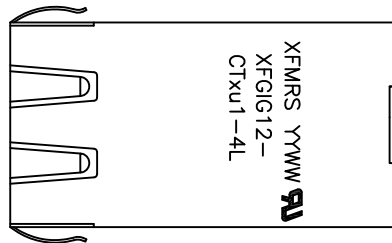
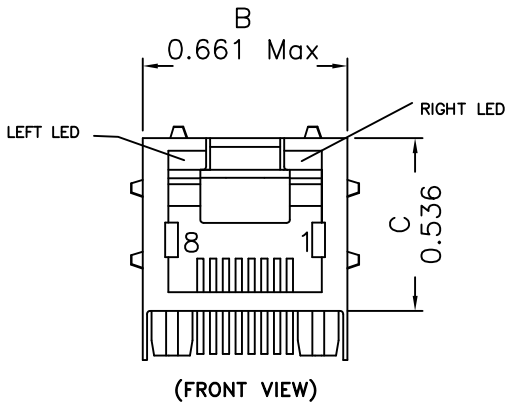
UNLESS OTHERWISE SPECIFIED
TOLERANCES:
.xxx ±0.010
Dimensions in Inch
SHEET 1 OF 2

P/N: XFGIG12-CTxu1-4L	REV. A
DWN. Yuan	May-30-13
CHK. YK Liao	May-30-13
APP. BW	May-30-13

PROPRIETARY:

Document is the property of XFMRs Group & is not allowed to be duplicated without authorization.

Mechanical Dimensions:



DOC REV: A/12

XFMRS Inc
www.XFMRS.com

Title: Mechanical Dimensions
For "1.30" INCH TAB UP RJ45 COMBO

UNLESS OTHERWISE SPECIFIED
TOLERANCES:
.xxx ±0.010
Dimensions in Inch

P/N: XFGIG12-CTxu1-4L

REV. A

DWN.

Yuan

May-30-13

CHK.

YK Liao

May-30-13

APP.

BW

May-30-13

SHEET 2 OF 2

PROPRIETARY:

Document is the property of XFMRS Group & is not allowed to be duplicated without authorization.