

## PV MPW-2306

### Description

Surface-mount type high power diodes suited for solar cell applications.

### Application

Solar cells  
 • Bypass diode

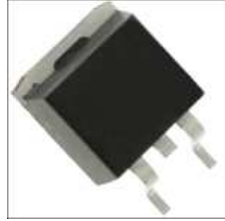
### Features

- Low VF
- Supports high power
- High heat dissipation

### Remarks

### Package

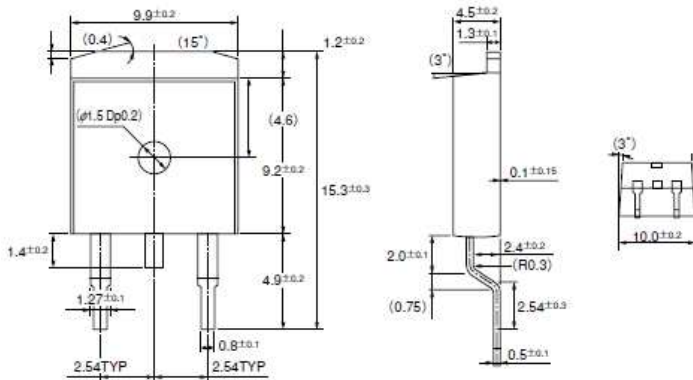
Package Name:TO263



### Specifications

Forward Current	30A
Surge Forward Current	150A
Peak Reverse Voltage	60V
Storage Temperature	
Max. Forward Voltage Drop	0.7V
Forward Current (Conditions)	15A
Max. Reverse Leakage Current	3mA
Junction Temperature (Conditions)	
Reverse Leakage Current Under High Temperature	350mA
Thermal Resistance	

### External Dimensions



Data sheet

Generated by: <http://www.datasheetcatalog.com/>