

15

KLK 3

Jack connectors

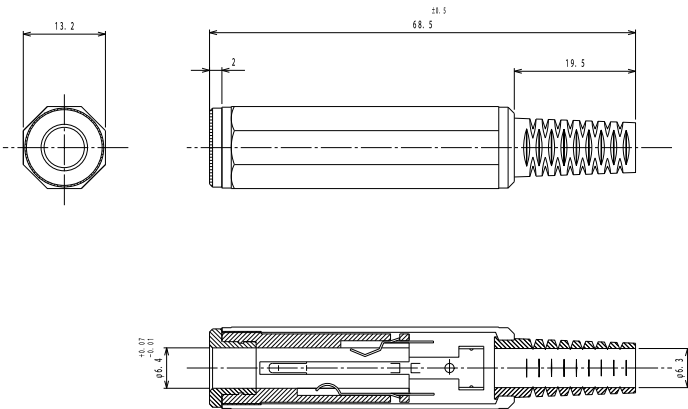


Jack socket acc. to JIS C 6560 JC63J3A, 6.35 mm, 3 poles/
stereo, straight version, with bend protection and solder
terminals

State: Active

15

KLK 3



Environmental conditions

Temperature range -20 °C/+70 °C

Materials

Insulating body	PPO
Contact	CuSn/CuZn/steel, nickel-plated/ gold-plated
Housing	ABS
Bend protection sleeve	PVC

Mechanical data

Mating cycles	≥ 3000
Insertion force	5–40 N
Withdrawal force	5–40 N

Connectable conductors for solder area

Cable diameter 6,3 mm

Electrical data (at T_{amb} 20 °C)

Contact resistance	≤ 50 mΩ
Rated current	1 A
Rated voltage	12 V DC
Rated impulse voltage	500 V/60 s
Insulation resistance	≥ 100 MΩ

Associated products

Counterparts
☞ KLS 3

15

KLK 3

Designation	Pole Number	PU (Pieces)	MDQ (Pieces)
KLK 3	3	50	500

Packaging:

in bulk, in a cardboard box or a plastic bag