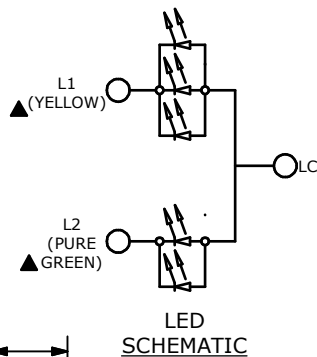
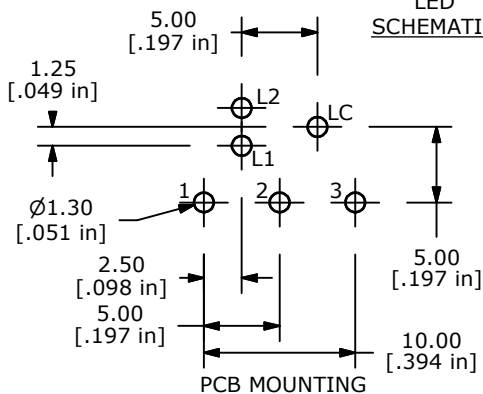


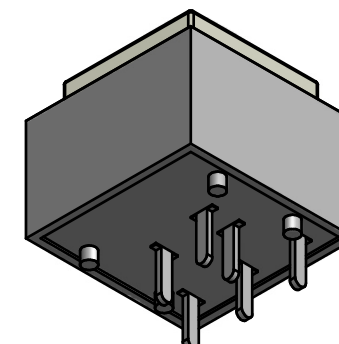
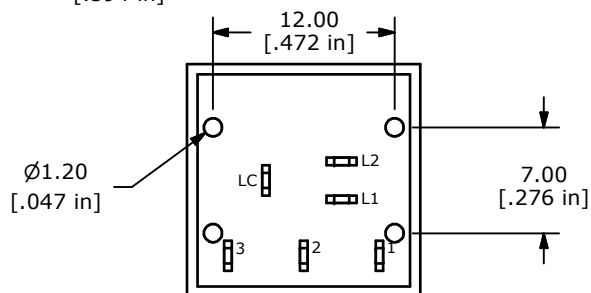
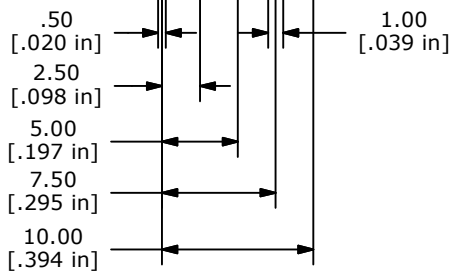
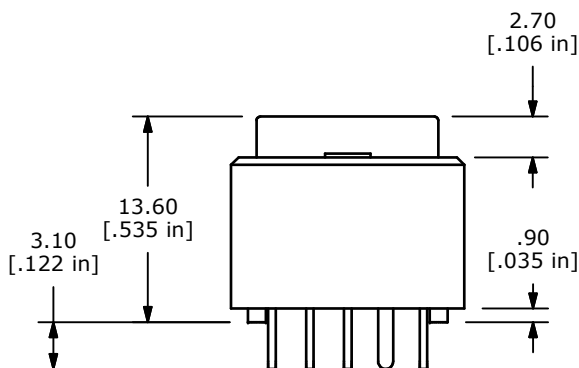
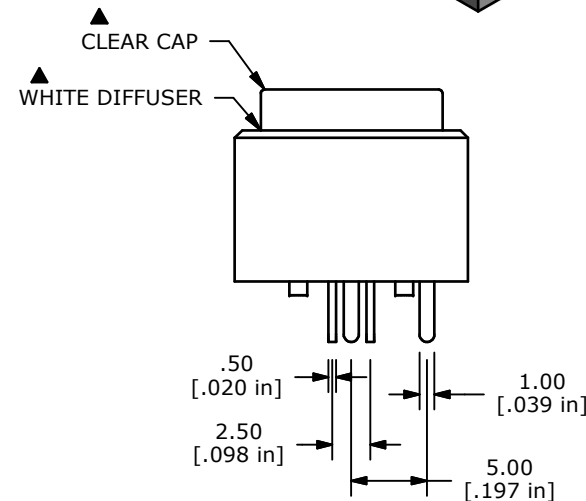
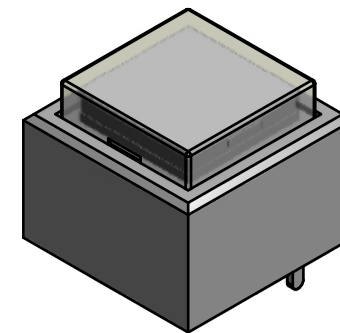
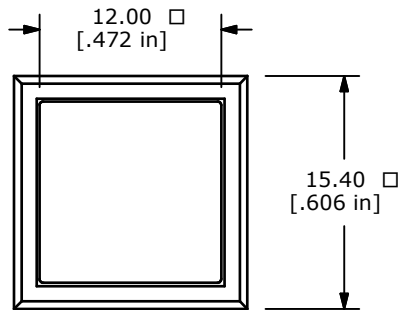
SWITCH SCHEMATIC



LED SCHEMATIC



PCB MOUNTING



NOTES:

1. ALL DIMENSIONS IN MM
2. GENERAL TOLERANCE: X.X=±0.4
X.XX=±0.25
3. TERM. NOS. FOR REFERENCE ONLY.
- ▲4. CONTACT RATING: 0.5A @ 100 VAC OR 25 VDC
0.2A @ 250 VAC
5. CONTACT MATERIAL: GOLD
6. ELECTRICAL LIFE: 200,000 Typical
7. MECHANICAL LIFE:
1,000,000 CYCLES TYP.
8. OPERATING TEMP: -20°C TO +70°C
9. OPERATING FORCE: 200 ± 100 gf
10. CONTACT RESISTANCE:
100 MILLI-OHM INITIAL TYP. MAX.
11. INSULATION RESISTANCE:
500VDC, 100 MΩ MIN.
12. DIELECTRIC STRENGTH:
1000 VAC FOR 1 MINUTE
13. TRAVEL TO MAKE: 2.20mm ± 0.2
14. 2002/95/EC (ROHS) COMPLIANT
15. ▲DENOTES CRITICAL PARAMETER
- ▲16. LED COLOR: YELLOW: 3 CHIPS; 2.1VDC, @20mA TYP.
PGRN: 2 CHIPS; 2.1VDC, @20mA TYP (520-535nm).



TITLE ULP12OAP1RSFCL1YELPGRN

A	21143	RELEASE FOR PRODUCTION	5/30/13	EBP
REV	PCR NO	DESCRIPTION	DATE	BY

SCALE	DATE	DR	DWG	REV
	5/30/2013	EBP	B800037	A

THE INFORMATION CONTAINED IN THIS DOCUMENT IS PROPRIETARY TO E-SWITCH AND IS NOT TO BE COPIED OR TRANSFERRED