

LDR probe AS Part number 89750183



- Direct connection with no converter on analog input
- Low cost temperature control solution
- Fields of application :
 - Lighting management
 - Energy saving
 - Building management

Part numbers

	Type	Description	Measurement range
89750183	AS	Light sensor LDR1 for Millenium 3 (24 V DC, $\pm 10\%$)	10 → 3000 Lux

Specifications

General characteristics

Environmental characteristics

Accuracy	< 10 % of full scale
Peak spectral response	600 \pm 20 nm
Drift Temperature (%/ °C)	0,5 %/ °C
Operating temperature	-20 → +70 °C
Storage temperature	-20 → +70 °C

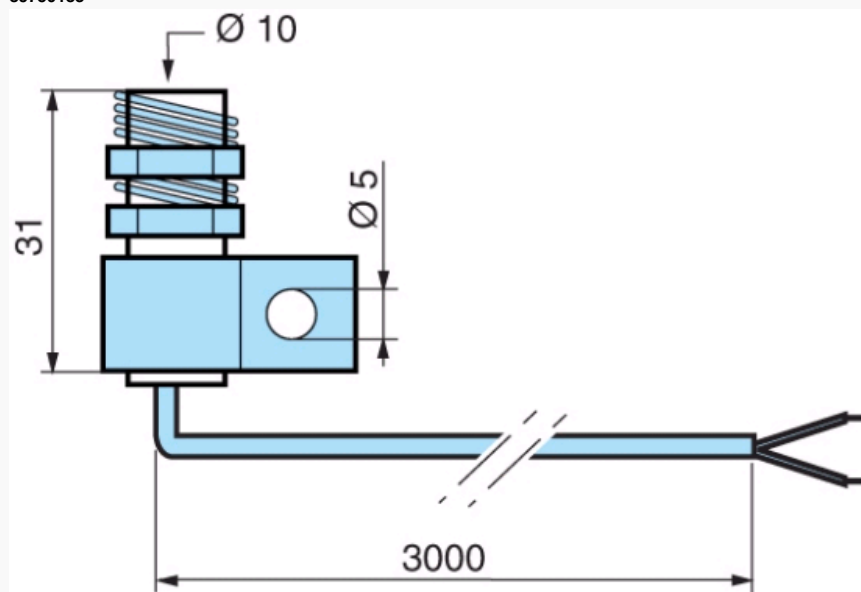
Mechanical characteristics

Cable length	3000 mm
Protection rating	IP64
Mounting by screw	\varnothing 5 mm
Mounting	Hole \varnothing 10 mm, thickness 9 mm max.

Comments

Dimensions (mm)

89750183



Connections

CA 89750183

⚠ 24V +/- 10%

