



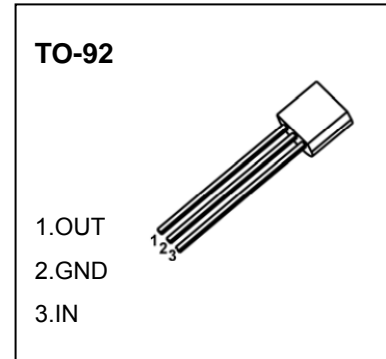
TO-92 Encapsulate Three-terminal Voltage Regulator

CJ75L05

Three-terminal positive voltage regulator

FEATURES

- Output current
 I_o : 100mA
- Output voltage
 V_o : 5 V
- Continuous total dissipation
 P_D : Internal limited



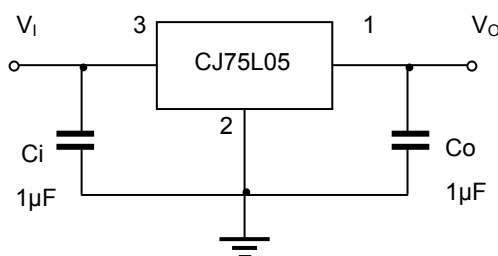
ABSOLUTE MAXIMUM RATINGS (Operating temperature range applies unless otherwise specified)

Parameter	Symbol	Value	Unit
Input Voltage Range	V_I	-0.3~+40	V
Operating Ambient Temperature Range	T_{OPR}	-40~+85	°C
Storage Temperature Range	T_{STG}	-55~+150	°C

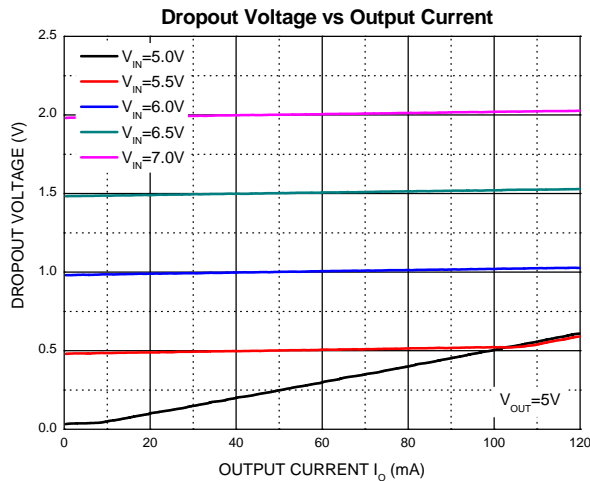
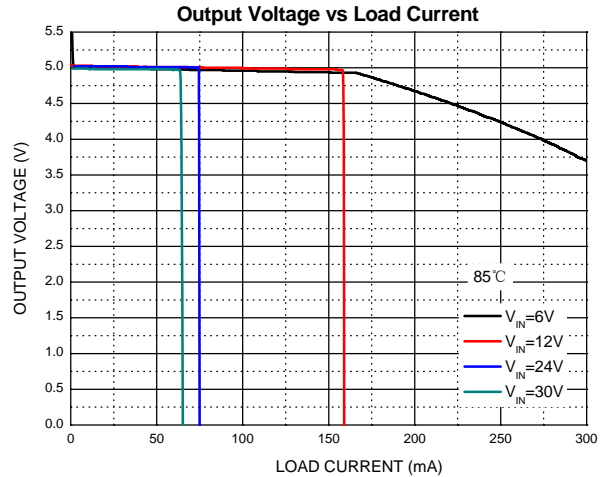
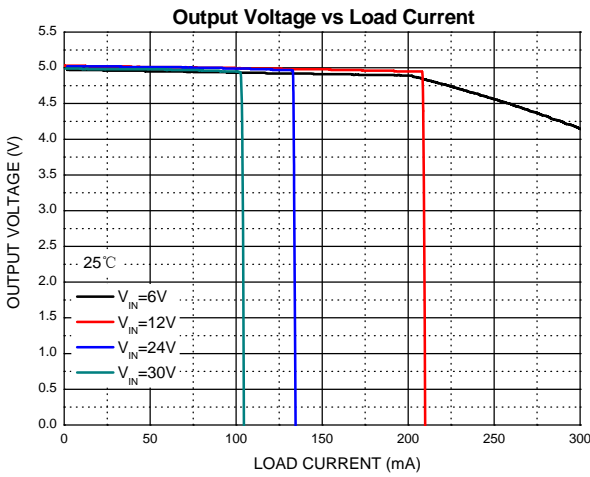
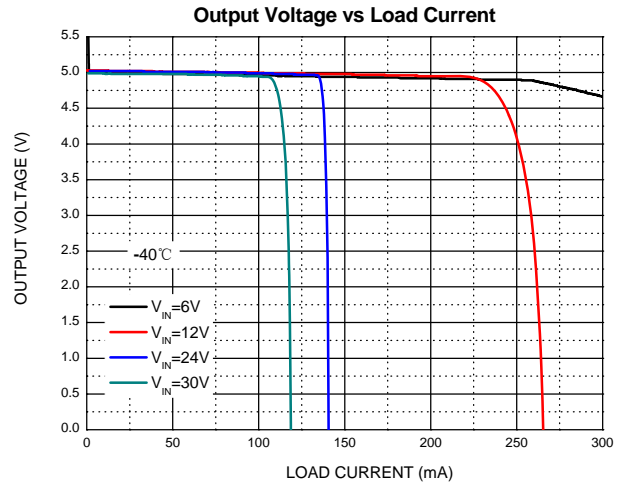
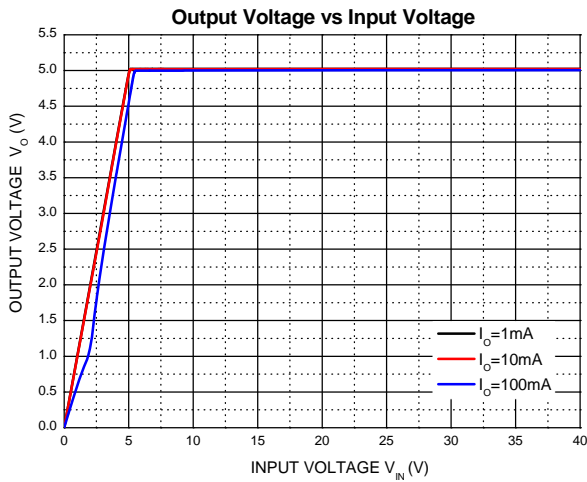
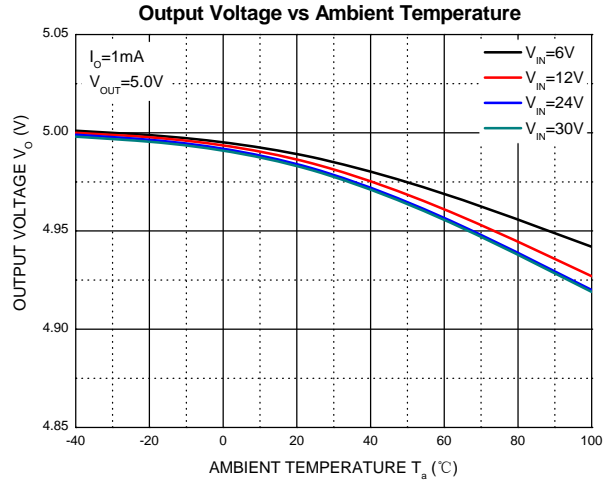
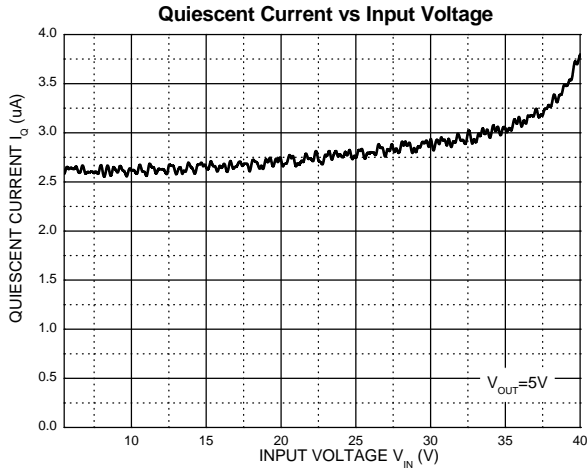
ELECTRICAL CHARACTERISTICS ($V_I=7V, C_i=C_o=1\mu F, T_a=25^\circ C$ unless otherwise specified)

Parameter	Symbol	Test conditions	Min	Typ	Max	Unit	
Input voltage	V_I		2.5		36	V	
Output voltage	V_O	$V_I=7V, I_o=10mA$	4.9	5	5.1	V	
Load regulation	ΔV_o	$V_I=7V, I_o=1mA\sim 100mA$		10		mV	
Line regulation	ΔV_o	$6V \leq V_I \leq 36V, I_o=10mA$		0.01	0.3	%/V	
Quiescent current	I_q	$V_I=7V, \text{No load}$		2	5	μA	
Dropout Voltage	V_d	$I_o=100mA$		500		mV	
Output noise voltage	V_N	BW=10Hz to 100kHz		135		μV_{RMS}	
Ripple rejection	RR	$I_o=50mA$	f=100Hz	80		dB	
			f=1kHz		70		
			f=10kHz		60		
			f=100kHz		40		
Short current	I_{SC}	$V_{OUT}=V_{SS}$		25		mA	
Output Current Limit	I_{PK}	$V_{OUT}=0.5 \times V_{OUT(Normal)}, V_{IN}=5V$	250	400		mA	
Thermal protection	T_{SD}			150		°C	
Temperature coefficient	$\Delta V_o/\Delta T$	$I_o=10mA$		50		ppm	

TYPICAL APPLICATION



Typical Characteristics



TO-92 Package Outline Dimensions



Symbol	Dimensions In Millimeters		Dimensions In Inches	
	Min	Max	Min	Max
A	3.300	3.700	0.130	0.146
A1	1.100	1.400	0.043	0.055
b	0.380	0.550	0.015	0.022
c	0.360	0.510	0.014	0.020
D	4.300	4.700	0.169	0.185
D1	3.430		0.135	
E	4.300	4.700	0.169	0.185
e	1.270 TYP		0.050 TYP	
e1	2.440	2.640	0.096	0.104
L	14.100	14.500	0.555	0.571
Φ		1.600		0.063
h	0.000	0.380	0.000	0.015

TO-92 Suggested Pad Layout



Note:

1. Controlling dimension: in millimeters.
2. General tolerance: $\pm 0.05\text{mm}$.
3. The pad layout is for reference purposes only.

NOTICE

JCET reserve the right to make modifications, enhancements, improvements, corrections or other changes without further notice to any product herein. JCET does not assume any liability arising out of the application or use of any product described herein.

TO-92 PACKAGE TAPEING DIMENSION



Dimiensions are in millimeter								
A1	A	T	P	P0	P2	F1	F2	W
4.5	4.5	3.5	12.7	12.7	6.35	2.5	2.5	18.0
W0	W1	W2	H	H0	D0	t1	t2	ΔP
6.0	9.0	1.0 MAX.	19.0	16.0	4.0	0.4	0.2	0



Package	Box	Box Size(mm)	Carton	Carton Size(mm)
TO-92	2000 pcs	333×162×43	20,000 pcs	350×340×250