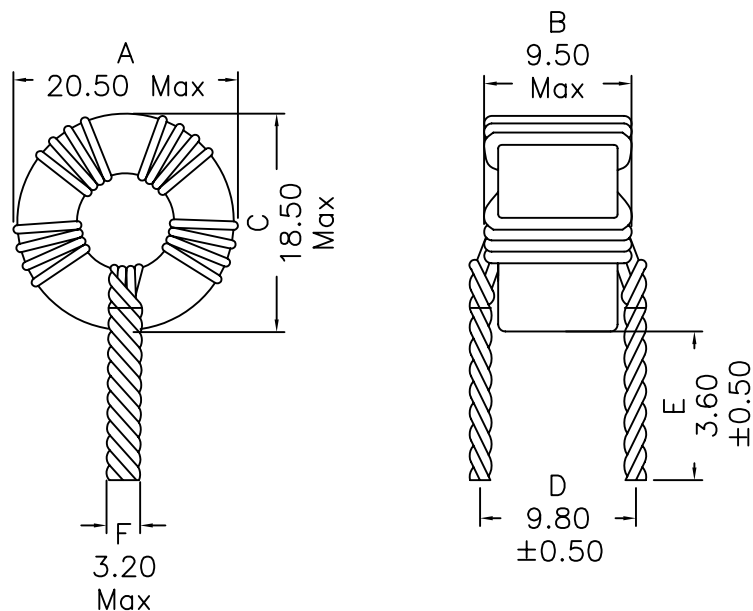
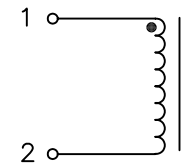


1. Mechanical Dimensions:



2. Schematic:



3. Electrical Specifications: @25°C

OCL: $0.86\mu\text{H} \pm 10\%$ @100KHz 0.1V 0Adc

Q: 15 Min @100KHz 0.1V

DCR: 1.10 mOhms Max

Isat: 0.71uH Typ @100KHz 0.1V 41A

Heating Current: 35A (Based on 50°C Temp Rise)

Hipot: 500Vac Wdg to Core

Notes:

1. Solderability: Leads shall meet MIL-STD-202G, Method 208H for solderability.
2. Flammability: UL94V-0
3. ASTM oxygen index: > 28%
4. Insulation System: Class F 155°C. UL file E151556
5. Operating Temperature Range: All listed parameters are to be within tolerance from -40°C to +155°C
6. Storage Temperature Range: -55°C to +155°C
7. Aqueous wash compatible
8. Electrical and mechanical specifications 100% tested
9. RoHS Compliant Component

DOC. REV: A/2

XFMRs Inc www.XFMRS.com	Title: High Current Toroidal Inductors		
	UNLESS OTHERWISE SPECIFIED TOLERANCES: .xx ±0.25 Dimensions in MM	P/N: XF8609-VO	REV. A
SHEET 1 OF 1	DWN.	Xiany	Mar-02-09
	CHK.	YK Liao	Mar-02-09
	APP.	BW	Mar-02-09

PROPRIETARY

Document is the property of XFMRs Group & is not allowed to be duplicated without authorization.