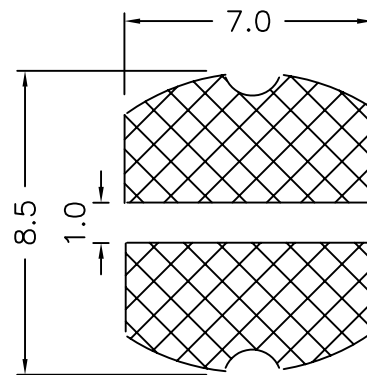
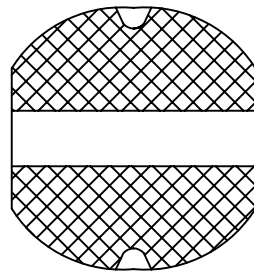
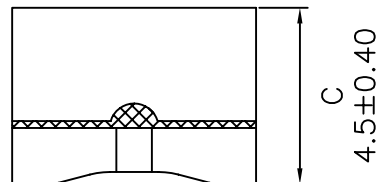
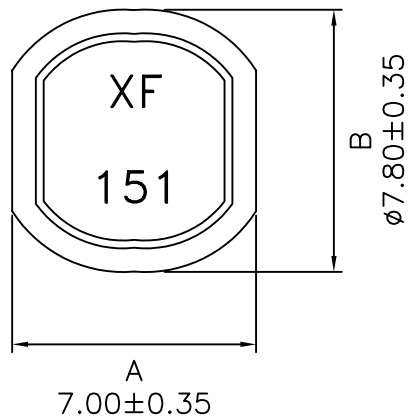
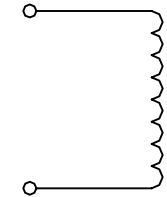


1. Mechanical Dimensions:



PAD LAYOUT

2. Schematic:



3. Electrical Specifications:

OCL: $150 \mu\text{H} \pm 20\%$ @1KHz 1.0V

DCR: 1.128 Ohms Max

IDC: 0.44A_{dc} Max

Notes:

1. Solderability: Leads shall meet MIL-STD-202, Method 208D for solderability.
2. Flammability: UL94V-0
3. ASTM oxygen index: > 28%
4. Temperature rating: 155°C. UL file E151556
5. Operating Temperature Range: 0°C to +70°C

XFMRs Inc	Title: XFSDR74SH SERIES INDUCTORS		
	UNLESS OTHERWISE SPECIFIED TOLERANCES: .xx ±0.25 Dimensions in MM	P/N: XFSDR74SH-151M	REV. A
	DWN.	Kang Chen	Mar-16-04
	CHK.	YK Liao	Mar-16-04
	APP.	MS	Mar-16-04

DOC REV: A/2