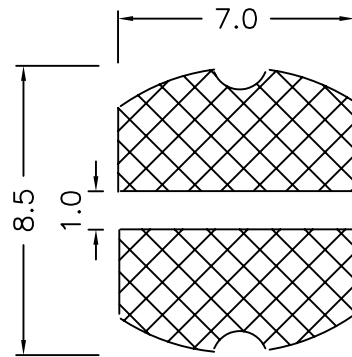
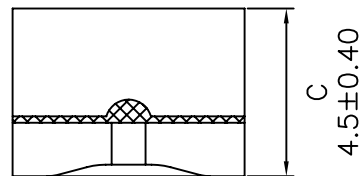
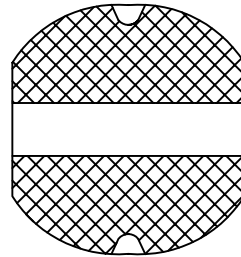
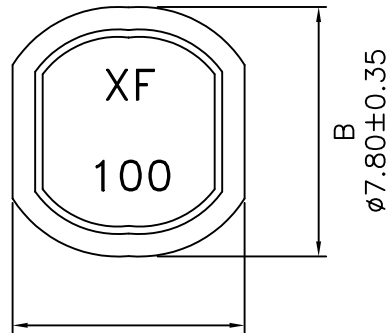


1. Mechanical Dimensions:



PAD LAYOUT

2. Schematic:



3. Electrical Specifications:

OCL: 10.0 μ H \pm 20% @1.0KHz 1.0V

DCR: 0.084 Ohms Max.

IDC: 1.65 A Max.

Note:

1. Solderability: Leads shall meet MIL-STD-202, Method 208D for solderability.
2. Flammability: UL94V-0,
3. ASTM oxygen index: > 28% ,
4. Temperature rating: 155°C. UL file E151556,
5. Operating Temperature Range: -40°C to +85°C

XFMRs Inc	Title: XFSDR74SH SERIES INDUCTORS		
	UNLESS OTHERWISE SPECIFIED TOLERANCES: N/A Dimensions in MM	P/N: XFSDR74SH-100M	REV. A
	DWN.	Juan Mao	Mar-09-04
	CHK.	YK Liao	Mar-09-04
SHT 1 OF 1	APP.	MS	Mar-09-04

DOC. REV A/1

PROPRIETARY

Document is the property of XFMRs Group & is not allowed to be duplicated without authorization.