

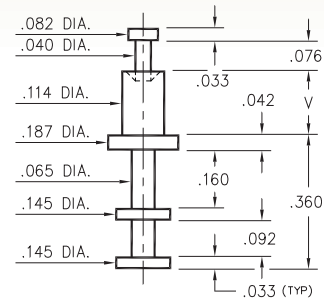
# MALE PCB PINS

## SOLDER TERMINAL TURRETS

### 2810

2810-X-00-XX-00-00-07-0

Swage mount in .118 hole

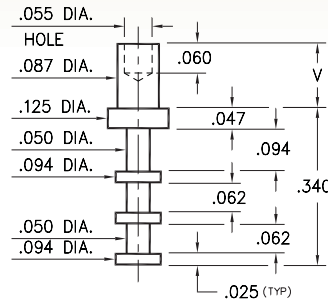


Basic Part Number	Board Thickness	Length V
<b>2810-2</b>	.062	.105
<b>2810-3</b>	.094	.135
<b>2810-4</b>	.125	.165

### 2524

2524-X-00-XX-00-00-07-0

Swage mount in .092 hole

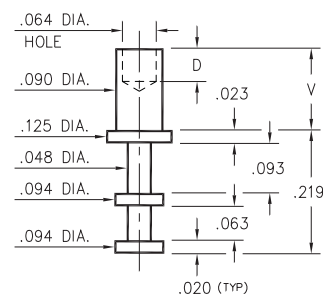


Basic Part Number	Board Thickness	Length V
<b>2524-1</b>	.031	.075
<b>2524-2</b>	.062	.105
<b>2524-3</b>	.094	.135
<b>2524-4</b>	.125	.165

### 2561

2561-X-00-XX-00-00-07-0

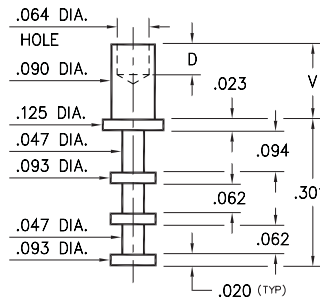
Swage mount in .094 hole



### 2508

2508-X-00-XX-00-00-07-0

Swage mount in .094 hole

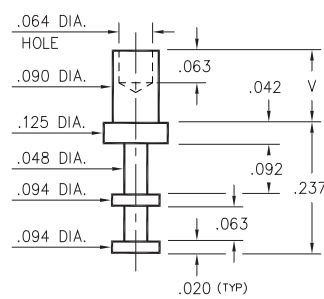


Basic Part Number	Board Thickness	Length V	Depth D
<b>25XX-1</b>	.031	.063	.047
<b>25XX-2</b>	.062	.094	.062
<b>25XX-3</b>	.094	.125	.062
<b>25XX-4</b>	.125	.156	.062

### 2551

2551-X-00-XX-00-00-07-0

Swage mount in .094 hole

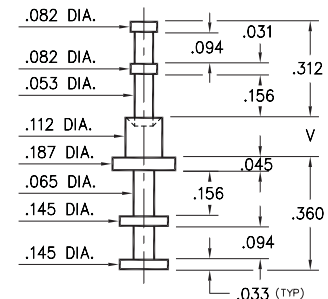


Basic Part Number	Board Thickness	Length V
<b>2551-1</b>	.031	.075
<b>2551-2</b>	.062	.105
<b>2551-3</b>	.094	.135
<b>2551-4</b>	.125	.165

### 2812

2812-X-00-XX-00-00-07-0

Swage mount in .116 hole



Basic Part Number	Board Thickness	Length V
<b>2812-1</b>	.062	.105
<b>2812-2</b>	.094	.135
<b>2812-3</b>	.125	.165
<b>2812-4</b>	.188	.230

#### SPECIFICATIONS:

**Pin Material:** Brass Alloy 360, 1/2 Hard  
(Swage pins are annealed)

**Dimensions:** Inches

**Tolerances On:** Lengths:  $\pm .005$   
Diameters:  $\pm .002$   
Angles:  $\pm 2^\circ$



ORDER CODE: **XXXX - X - 00 - XX - 00 - 00 - 07 - 0**

BASIC PART #

SPECIFY PIN FINISH:

- 01 200  $\mu$ " TIN/LEAD OVER NICKEL
- ◆ 80 200  $\mu$ " TIN OVER NICKEL (RoHS)
- ◆ 44 300  $\mu$ " SILVER OVER COPPER (RoHS)
- 50 300  $\mu$ " ELECTRO-SOLDER (60/40 SnPb)

