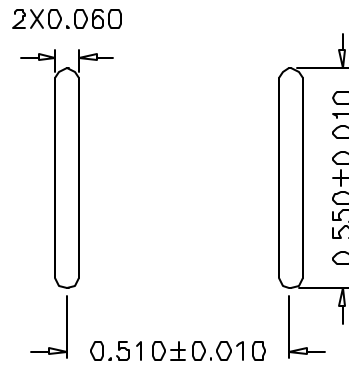
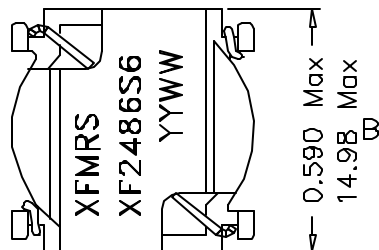
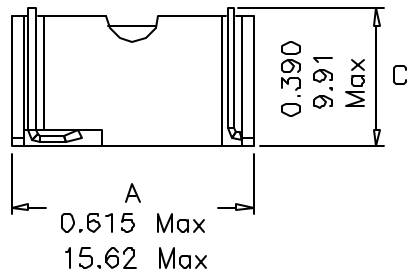
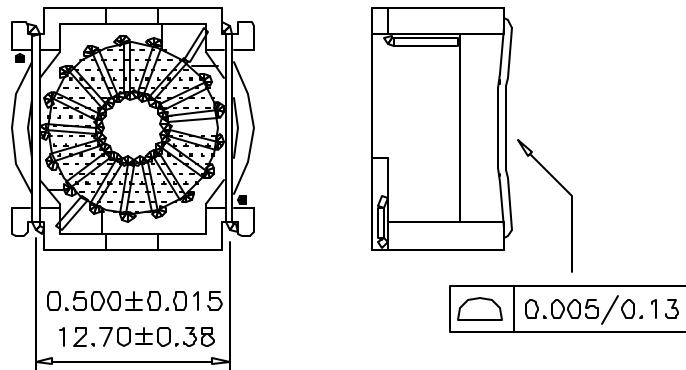


1. Mechanical Dimensions:



Suggested PCB Layout

2. Schematic:



3. Electrical Specifications: @25°C

OCL: 248uH±20% @10KHz, 0.1V NO DC

Irated: 0.83Adc

DC Resistance: 0.600 Ohms Typ

Notes:

1. Solderability: Leads shall meet MIL-STD-202G, Method 208H for solderability.
2. Flammability: UL94V-0
3. ASTM oxygen index: > 28%
4. Insulation System: Class F 155°C. UL file E151556
5. Operating Temperature Range: All listed parameters are to be within tolerance from -40°C to +85°C
6. Storage Temperature Range: -55°C to +125°C
7. Aqueous wash compatible
8. SMD Lead Coplanarity: ±0.004"(0.102mm)
9. Electrical and mechanical specifications 100% tested
10. RoHS Compliant Component

DOC. REV: A/1

PROPRIETARY

Document is the property of XFMRS Group & is not allowed to be duplicated without authorization.

XFMRS Inc www.XFMRS.com		Title: Surface Mount Inductor	
UNLESS OTHERWISE SPECIFIED TOLERANCES: .xxx ±0.010 Dimensions in Inch/mm	P/N: XF2486S6		REV. A
	DWN.	李清儿	Nov-29-05
	CHK.	孙小怡	Nov-29-05
SHEET 1 OF 1	APP.	MS	Nov-29-05