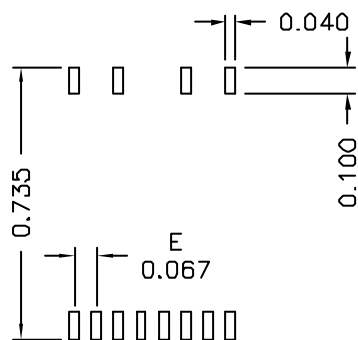
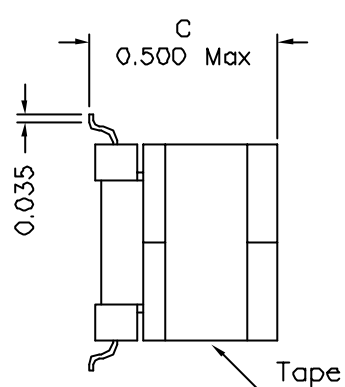
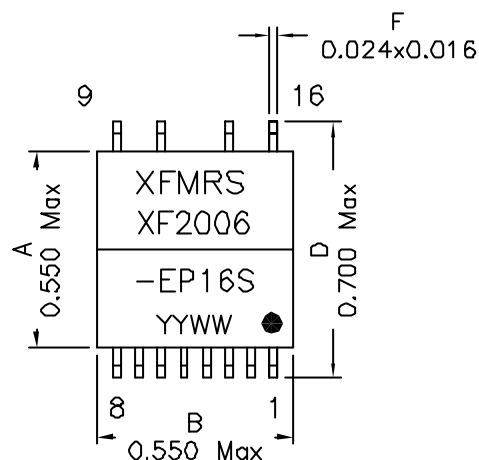


## 1. Mechanical Dimensions:



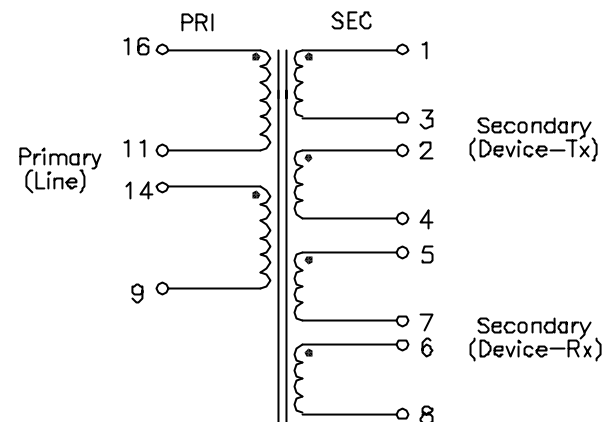
(SUGGESTED PAD LAYOUT)

### Notes:

1. Solderability: Leads shall meet MIL-STD-202C, Method 208H for solderability.
2. Flammability: UL94V-0
3. ASTM oxygen index: > 28%
4. Insulation System: Class F 155°C, UL file E151556
5. Operating Temperature Range: All listed parameters are to be within tolerance from -40°C to +85°C
6. Storage Temperature Range: -55°C to +125°C
7. Aqueous wash compatible
8. SMD Lead Coplanarity:  $\pm 0.004^{\circ}$  (0.102mm)
9. Electrical and mechanical specifications 100% tested
10. RoHS Compliant Component
11. Designed to meet UL60950/CSA60950 and AS/NZ60950 for Supplementary Insulation for a primary circuit at a working voltage of 250Vrms.

DOC REV: A/1

## 2. Schematic:



## 3. Electrical Specifications: @25°C

OCL: Pins 16-9 200uH $\pm$ 6% @10KHz 0.1V, Tie Pins 11-14  
 LL: Pins 16-9 10uH Max @100KHz 0.1V, Tie Pins 11-14, 2-3, 1-4  
 LL: Pins 16-9 20uH Max @100KHz 0.1V, Tie Pins 11-14, 6-7, 5-8  
 Turns Ratio: Pins (1-3):(2-4):(5-7):(6-8):(16-11):(14-9)=  
 1.00:1.00:1.90:1.90:3.80:3.80

DCR: Pins 1-3 & 2-4 0.130 Ohms  $\pm$ 10%  
 DCR: Pins 5-7 & 6-8 0.280 Ohms  $\pm$ 10%  
 DCR: Pins 16-11 & 14-9 0.400 Ohms  $\pm$ 10%  
 HIPOT: 2000VAC, Pri to Secs

<b>XFMR5 Inc</b> www.XFMR5.com	Title: xDSL TRANSFORMER	
	UNLESS OTHERWISE SPECIFIED	P/N: XF2006-EP16S REV. A
TOLERANCES: .xxx $\pm$ 0.010	DWN.	Juan Mao Sep-13-06
Dimensions in INCH	CHK.	YK Liao Sep-13-06
SHEET 1 OF 1	APP.	MS Sep-13-06

**PROPRIETARY** Document is the property of XFMR5 Group & is not allowed to be duplicated without authorization.