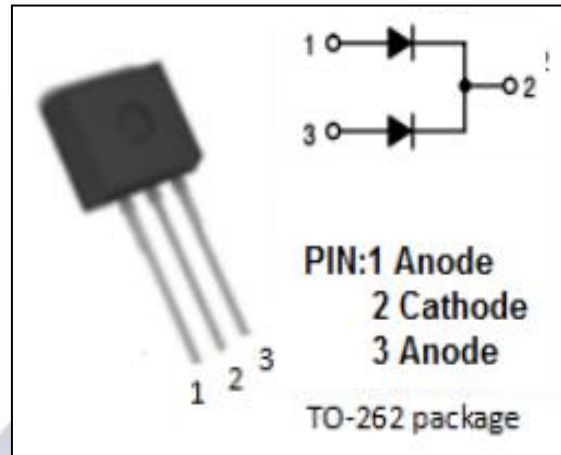


Schottky Barrier Rectifier
TP805C04
FEATURES

- With TO-262(I2PAK) packaging
- Low leakage current, low power loss, high efficiency
- High frequency operation
- High current capability
- Low stored charge majority carrier conduction
- Minimum Lot-to-Lot variations for robust device performance and reliable operation

APPLICATIONS

- Switching power supply
- High frequency inverters
- Freewheeling diodes
- Reverse battery protection
- Polarity protection applications


ABSOLUTE MAXIMUM RATINGS(T_a=25°C)

SYMBOL	PARAMETER	VALUE	UNIT
V _{RRM} V _{RWM} V _R	Peak Repetitive Reverse Voltage Working Peak Reverse Voltage DC Blocking Voltage	40	V
I _{F(AV)}	Average Rectified Forward Current @T _c =92°C	20	A
I _{FSM}	Nonrepetitive Peak Surge Current (Surge applied at rated load conditions half-wave, single phase, 60Hz)	120	A
P _D	Total Dissipation	50	W
T _J	Junction Temperature	-40~125	°C
T _{stg}	Storage Temperature Range	-40~125	°C

Schottky Barrier Rectifier

TP805C04

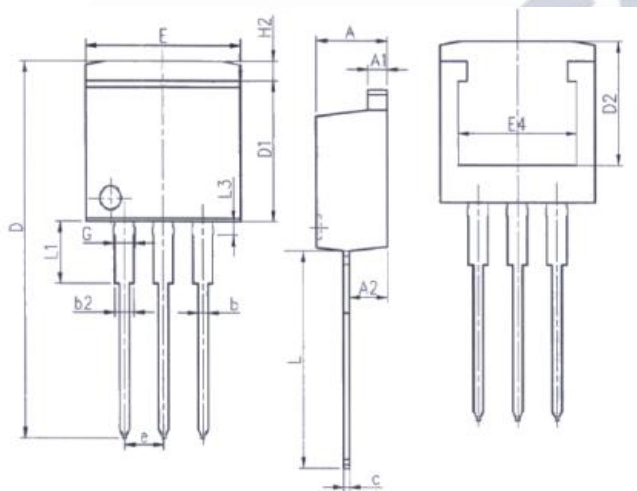
THERMAL CHARACTERISTICS

SYMBOL	PARAMETER	MAX	UNIT
$R_{th,j-c}$	Thermal Resistance, Junction to Case	2.0	°C/W

ELECTRICAL CHARACTERISTICS ($T_a=25^{\circ}C$) (Pulse Test: Pulse Width=300 μ s, Duty Cycle \leq 2%)

SYMBOL	PARAMETER	CONDITIONS	MAX	UNIT
V_{F^*}	Maximum Instantaneous Forward Voltage	$I_F=10A$	0.6	V
I_{R^*}	Maximum Instantaneous Reverse Current	$V_R=V_{RWM}$	15	mA

DIMENSIONAL DRAWING



Unit: mm		
Symbol	Min.	Max.
A	4.37	4.77
A1	1.22	1.42
A2	2.47	2.87
b	0.70	0.97
b2	1.17	1.42
c	0.28	0.53
D	23.20	24.02
D1	8.38	8.90
D2	6.00	-

Unit: mm		
Symbol	Min.	Max.
E	9.90	10.39
E4	7.30	-
e	2.54BSC	
G	1.25	1.50
H2	-	1.31
L	13.34	14.10
L1	3.30	4.06
L3	0.95	1.15