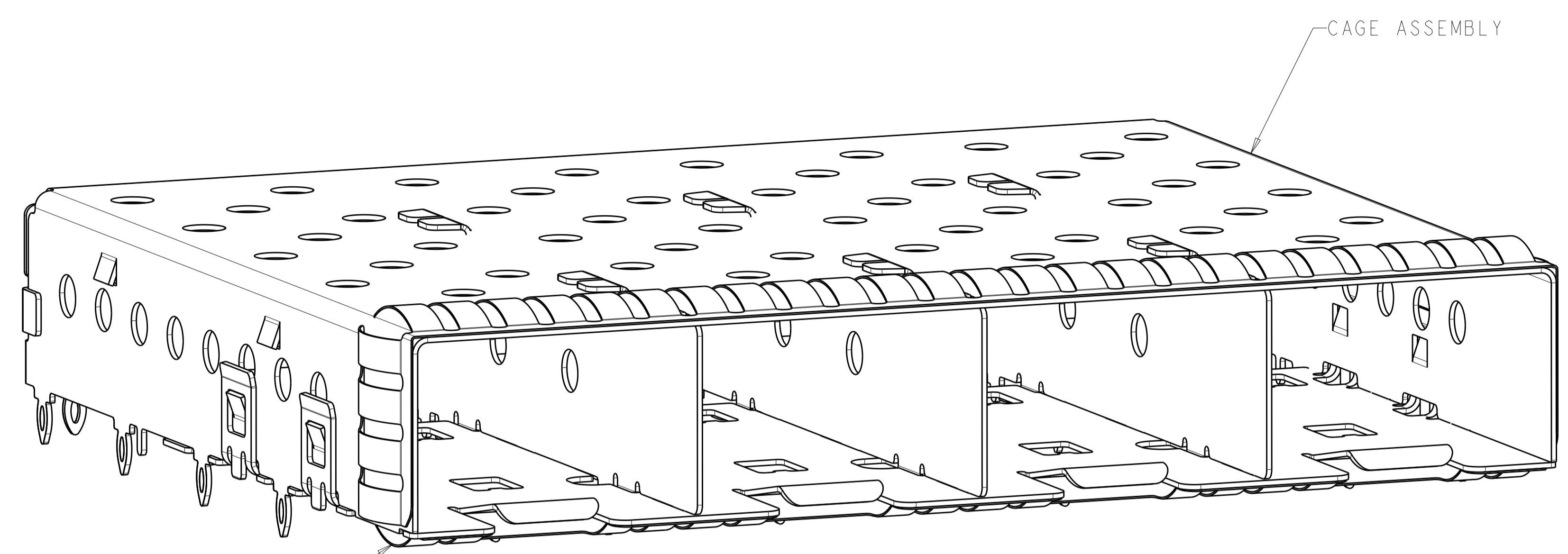
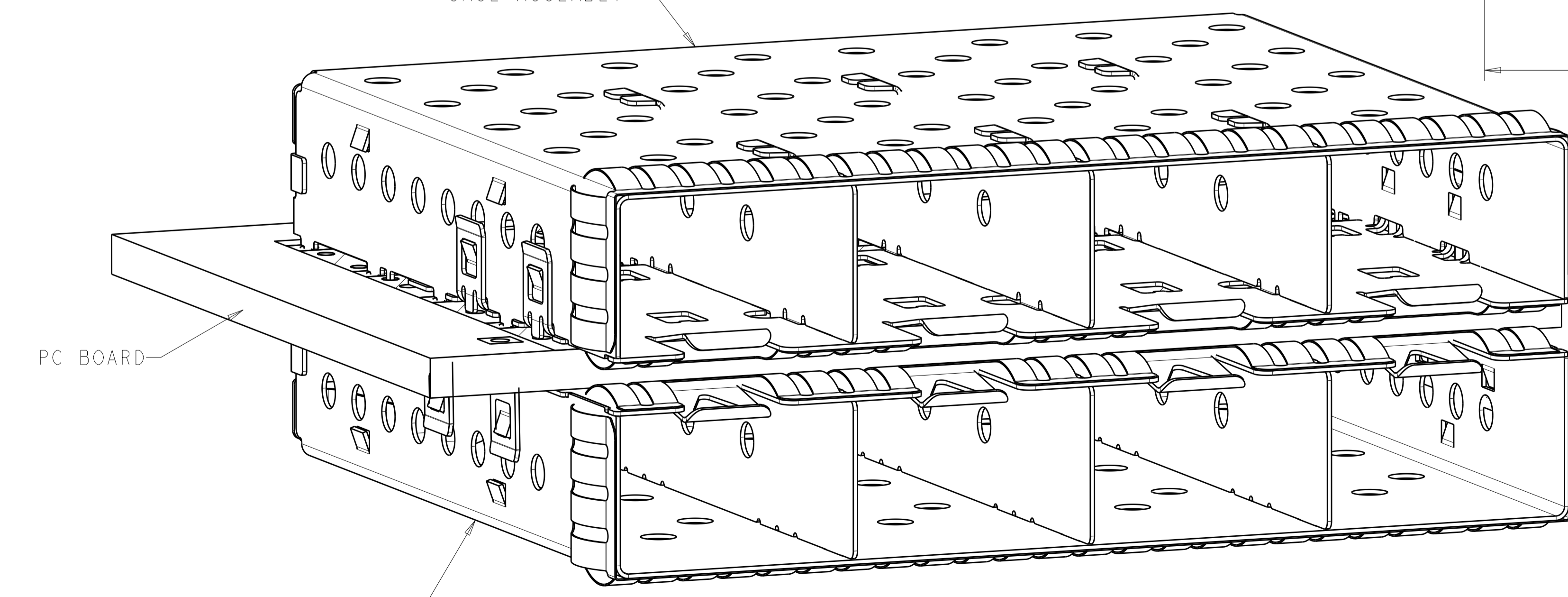
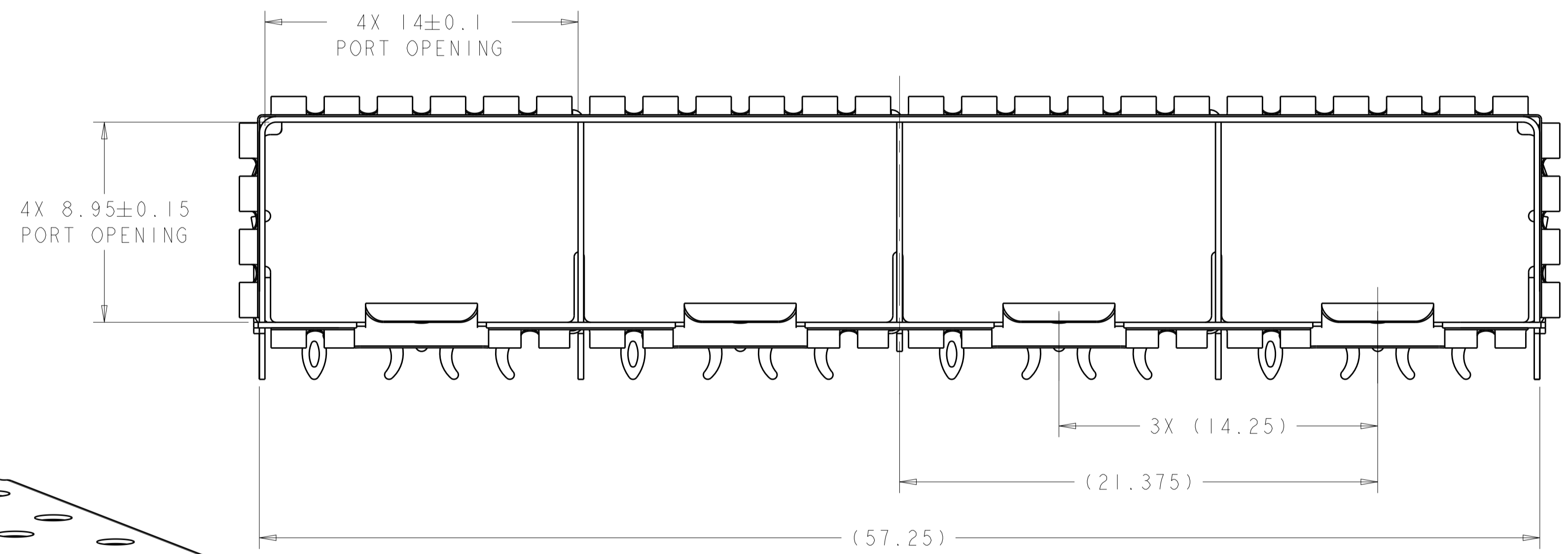
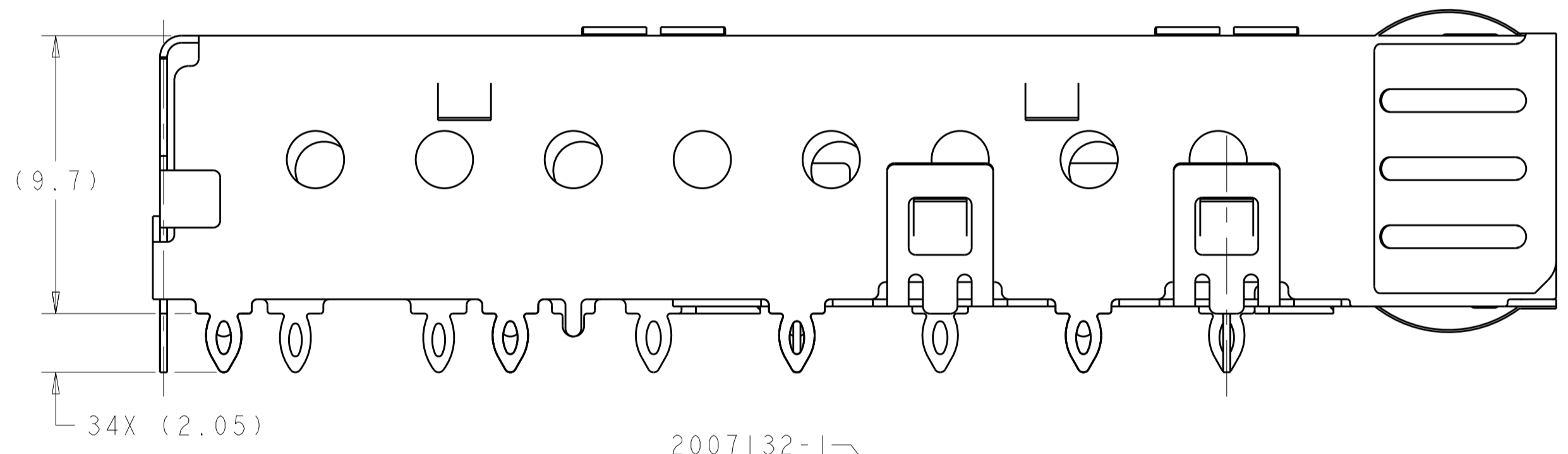


LOC	DIST	REVISIONS					
GP	00	P	LTN	DESCRIPTION	DATE	DWN	APVD
		C		REVISED PER ECO-11-024172	07DEC2011	TX	AC
		D		REVISED PER ECO-12-014021	29NOV2012	TD	AC
		D1		REVISED PER ECO-14-000741	16JAN2014	PP	SH
		D2		REVISED PER ECO-15-012198	04AUG2015	KQ	SH



- 1. MATERIAL: CAGE ASSEMBLY: 0.25mm THICK NICKEL SILVER ALLOY.  
EMI SPRINGS: COPPER ALLOY
- 2. FINISH  
SPRINGS: MINIMUM OF 0.8um MATTE TIN PLATED OVER A MINIMUM OF 0.8um NICKEL UNDERPLATE.  
NON-PLATED EDGES PERMISSIBLE.
- 3. PADS AND VIAS CHASSIS GROUND.
- 4. DATUM AND BASIC DIMENSION ESTABLISHED BY CUSTOMER.
- 5. MATES WITH SFP MSA COMPLIANT TRANSCEIVERS.
- 6. INTERPRETATION OF DATUM REFERENCE FRAME IN ACCORDANCE WITH SECT 4.4.1.1 OF ASME Y14.5M-1994.
- 7. REFERENCE APPLICATION SPEC. 114-13120, HOLE A, FOR RECOMMENDED DRILL HOLE DIAMETER AND PLATING THICKNESS.
- 8. REFERENCE APPLICATION SPEC. 114-13120, HOLE B, FOR RECOMMENDED DRILL HOLE DIAMETER AND PLATING THICKNESS.
- 9. HOLE PATTERN REPEATS FOR EACH PORT. SPACING BETWEEN PORTS IS 14.25mm.
- 10. MINIMUM PCB THICKNESS:  
SINGLE SIDED = 1.50  
DOUBLE SIDED = 2.25
- 11. CERTAIN MATING TRANSCEIVERS MAY REQUIRE ADDITIONAL PCB THICKNESS THAT WOULD NEED TO BE DETERMINED BY THE CUSTOMER.
- 12. PRODUCT COMPLIES WITH WITH SPECIFICATION SFF-8433 IMPROVED PLUGGABLE FORM FACTOR FOR SFP+ GANGED CAGES.

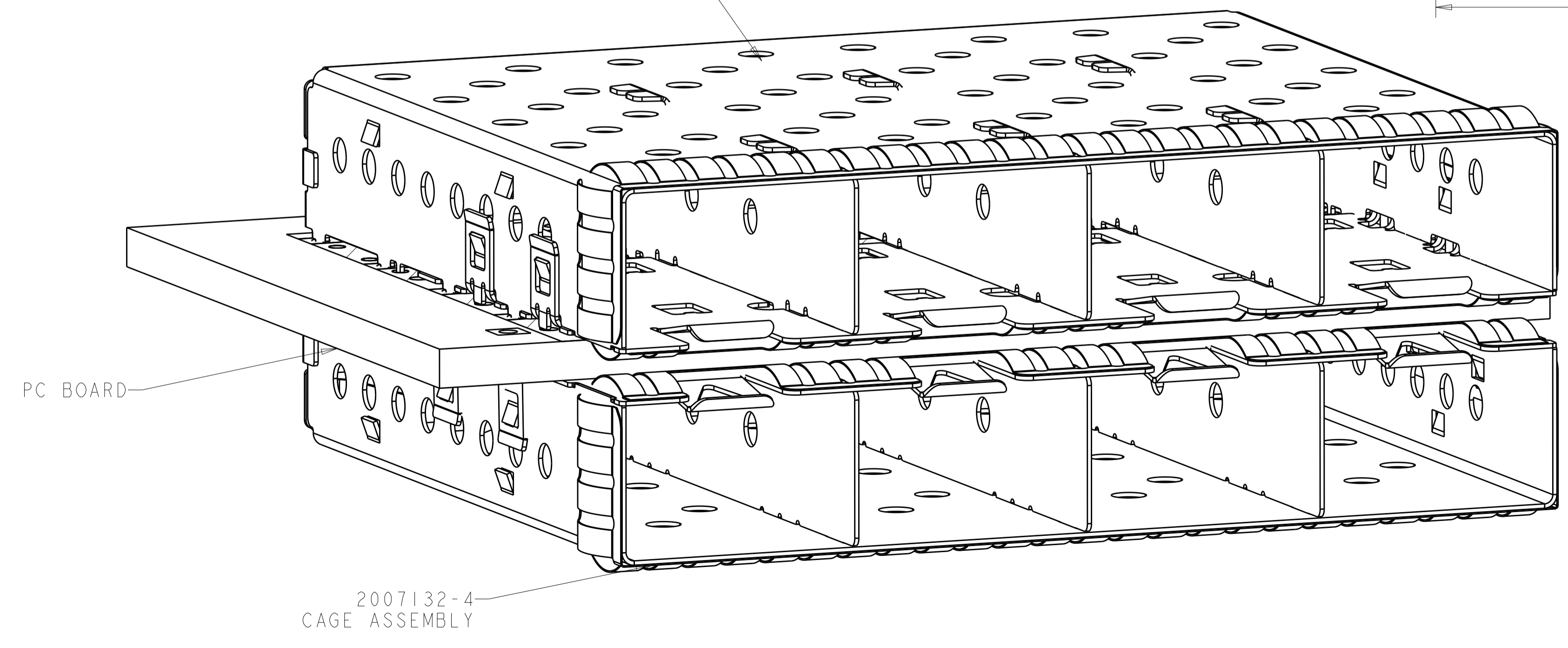
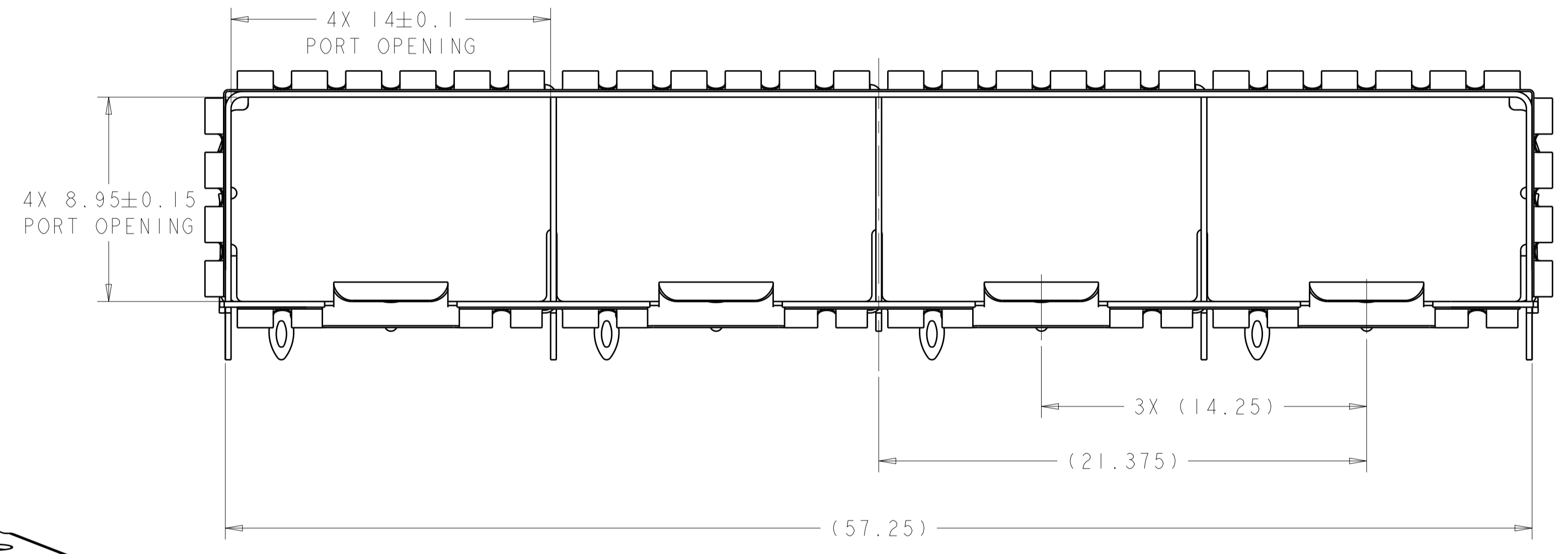
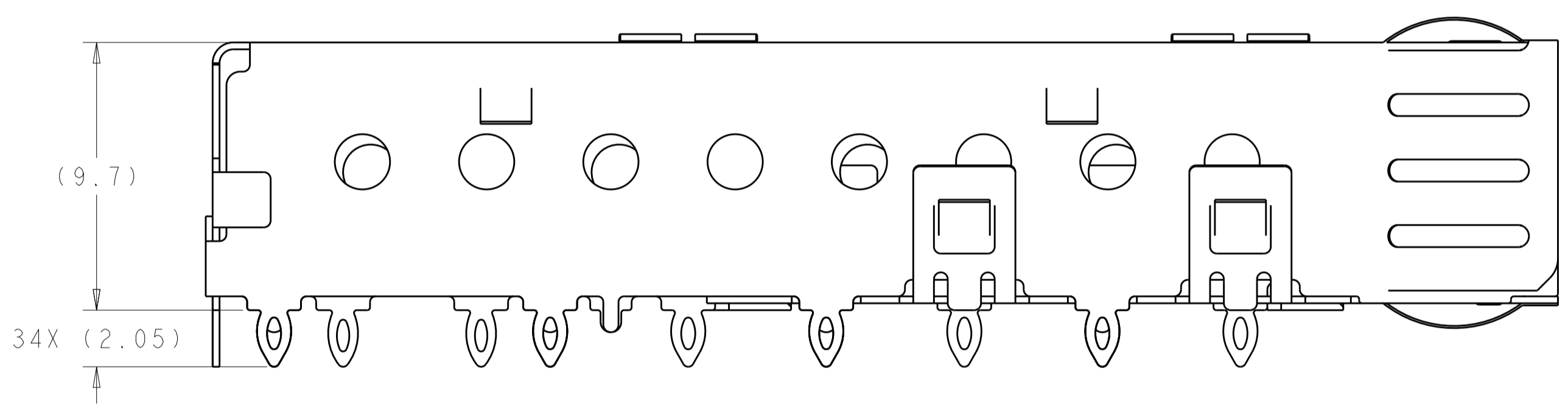
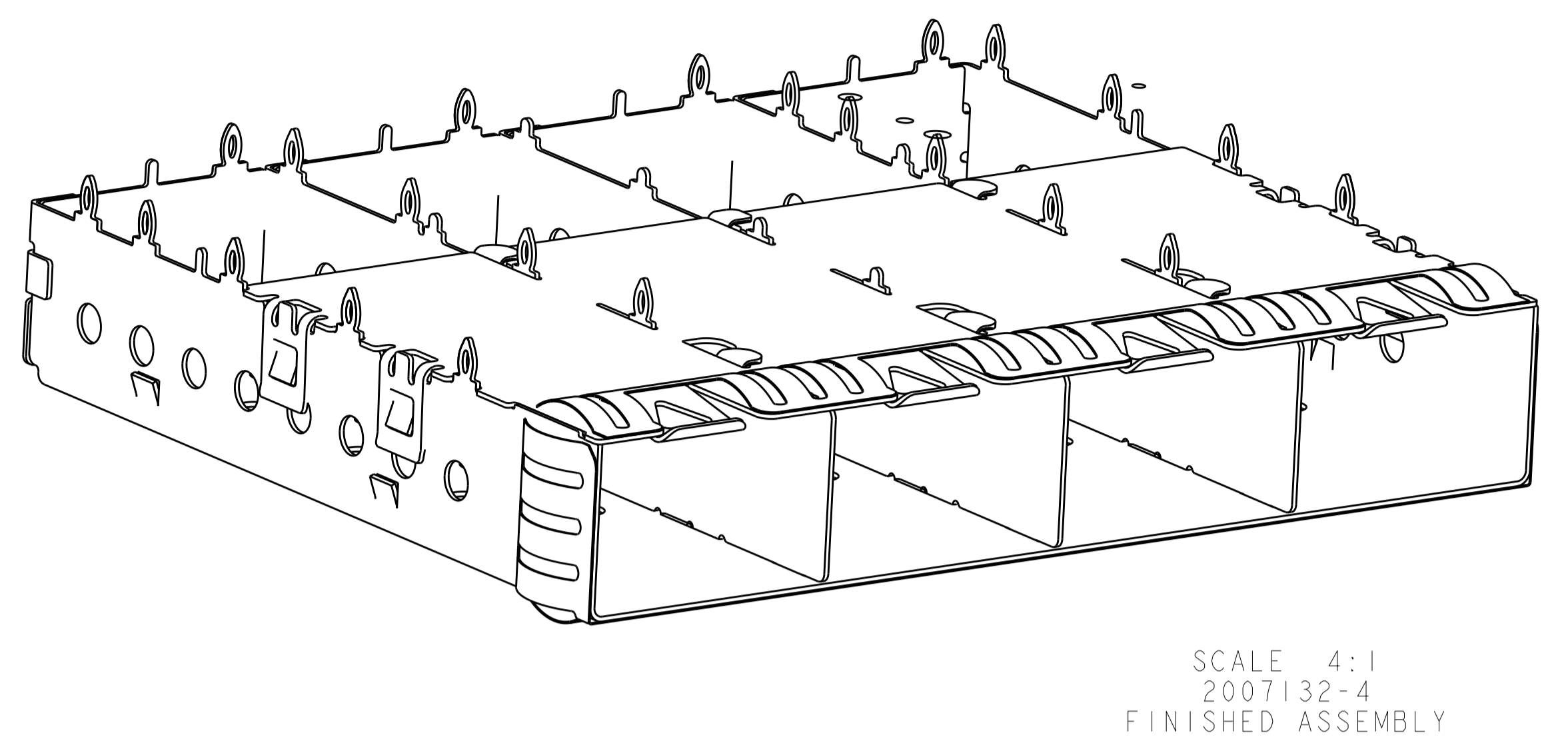
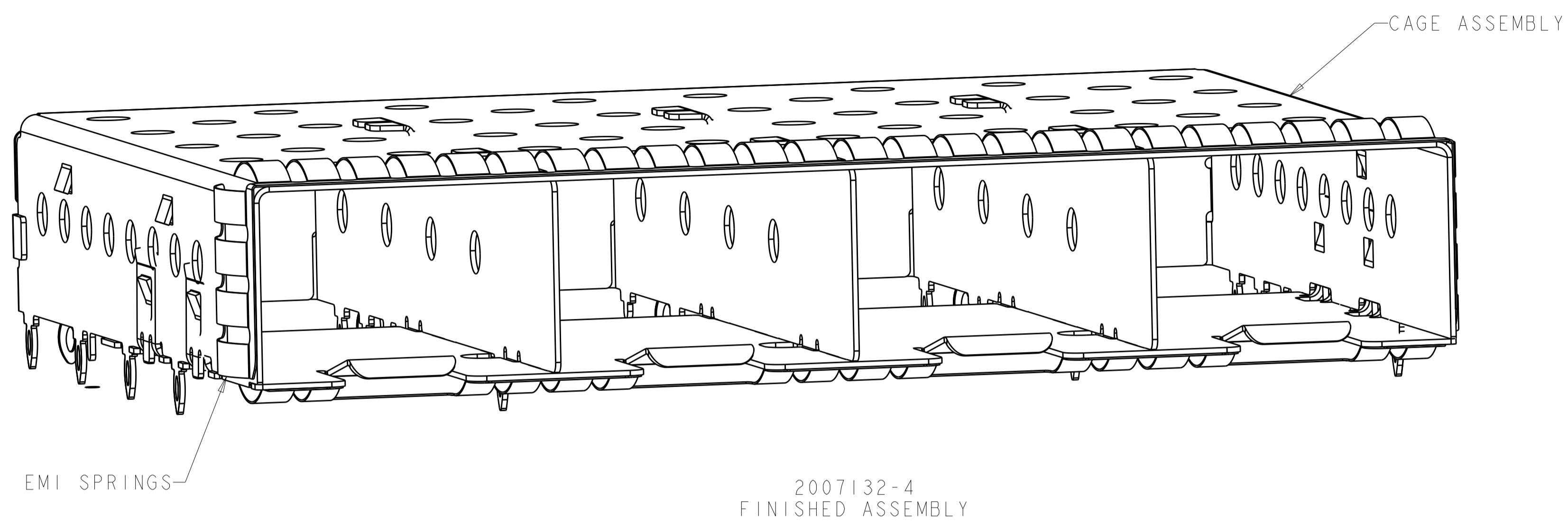


2007132-1 MOUNTED BELLYTO BELLY ON PCB  
SCALE 5:1

2007132-1  
PART NUMBER

THIS DRAWING IS A CONTROLLED DOCUMENT.		DWN M. SCHMITT 21JUN2007	TE Connectivity
DIMENSIONS: mm		CHK M. SCHMITT 21JUN2007	
TOLERANCES UNLESS OTHERWISE SPECIFIED:		APVD B. WERTZ 21JUN2007	
0 PLC ±0.1 1 PLC ±0.1 2 PLC ±0.1 3 PLC ±0.1 4 PLC ±0.1 ANGLES ±1°		NAME SFP+ 1X4 CAGE ASSEMBLY PRESS FIT, EXTERNAL EMI SPRINGS PRODUCT SPEC 108-2364 APPLICATION SPEC 114-13120 SIZE CAGE CODE DRAWING NO WEIGHT A100779C=2007132	
MATERIAL	FINISH	Customer Drawing	RESTRICTED TO
		SCALE 2:1	SHEET 1 OF 10 REV D2

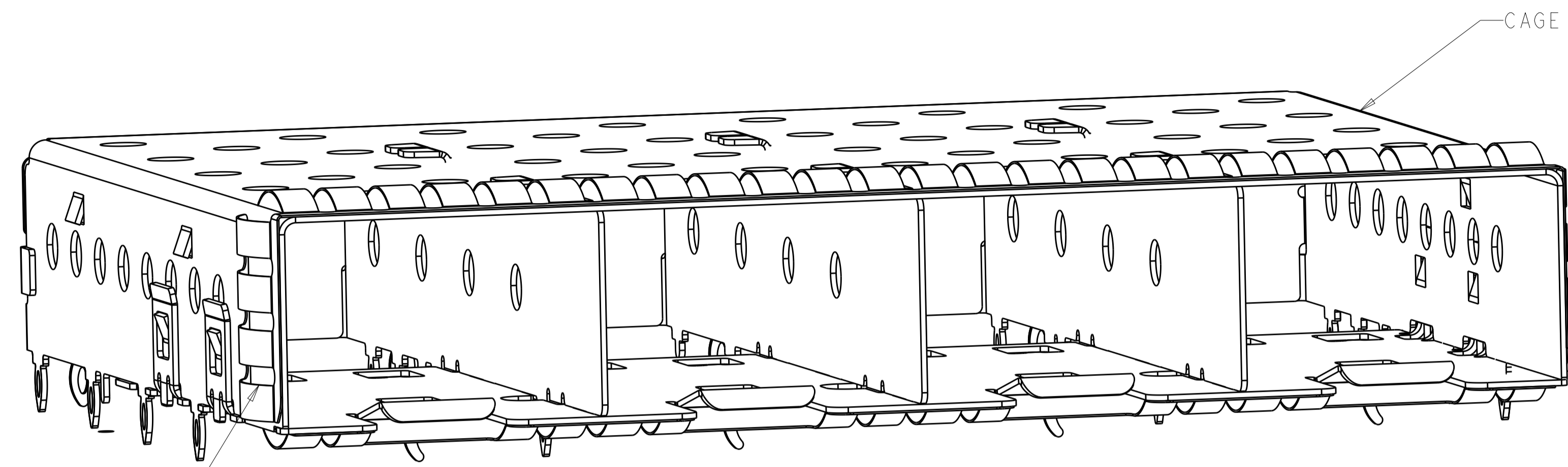
LOC	DIST	REVISIONS					
GP	00	P	LYR	DESCRIPTION	DATE	DMN	APVD
		-		SEE SHEET 1			



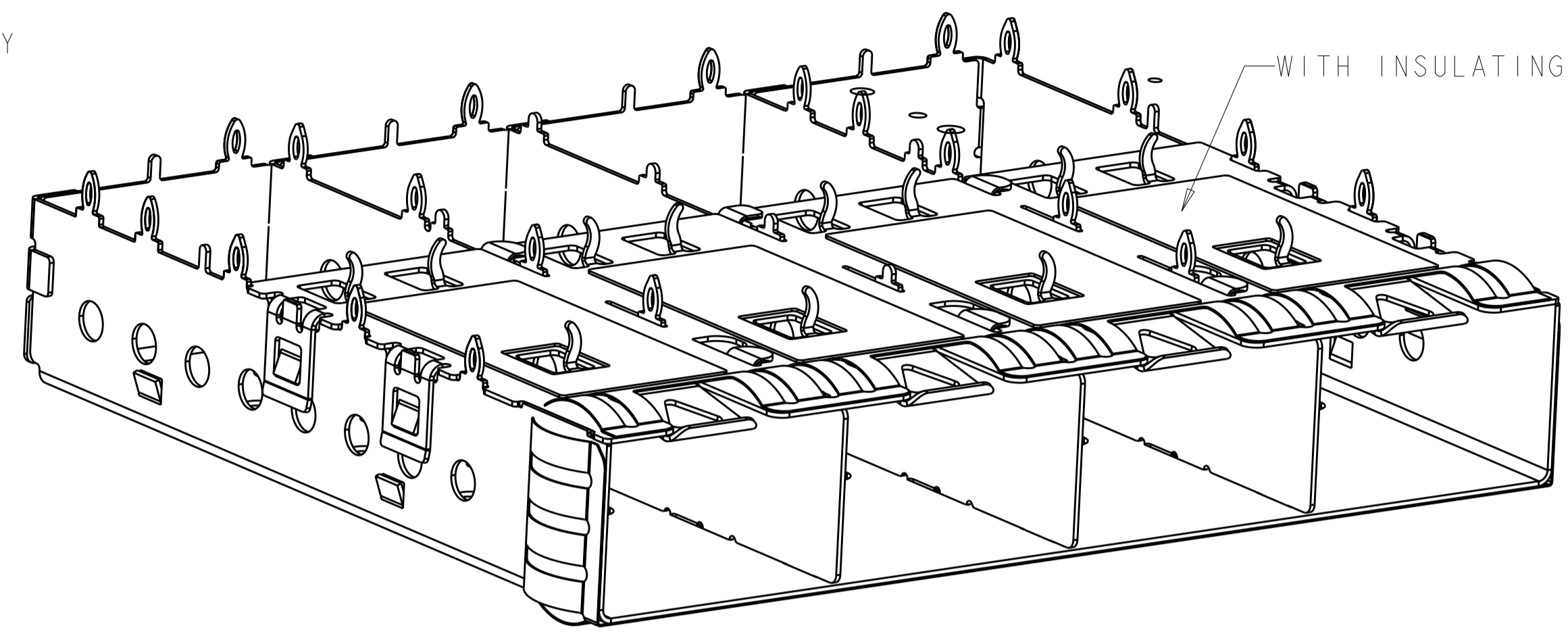
2007132-4  
PART  
NUMBER

THIS DRAWING IS A CONTROLLED DOCUMENT.		DMN M. SCHMITT 21JUN2007	TE Connectivity NAME SFP+ 1X4 CAGE ASSEMBLY PRESS FIT, EXTERNAL EMI SPRINGS
DIMENSIONS:		CHK M. SCHMITT 21JUN2007	
TOLERANCES UNLESS OTHERWISE SPECIFIED:		APVD B. WERTZ 21JUN2007	
mm		PRODUCT SPEC	
0 PLC ±0.1 1 PLC ±0.1 2 PLC ±0.1 3 PLC ±0.1 4 PLC ±0.1 ANGLES ±0.1		108-2364 APPLICATION SPEC 114-13120	SIZE CAGE CODE DRAWING NO A1 00779C=2007132
MATERIAL		WEIGHT	RESTRICTED TO
FINISH		Customer Drawing	SCALE 1:1 SHEET 2 OF 10 REV D2

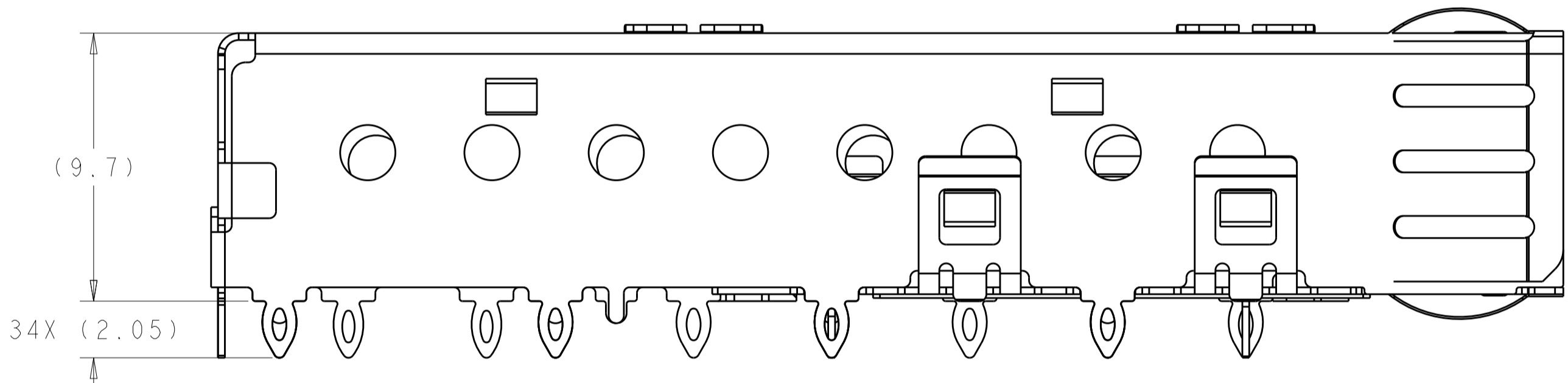
LOC		DIST		REVISIONS			
GP	00	P	LTN	DESCRIPTION	DATE	DMN	APV'D
				SEE SHEET 1			



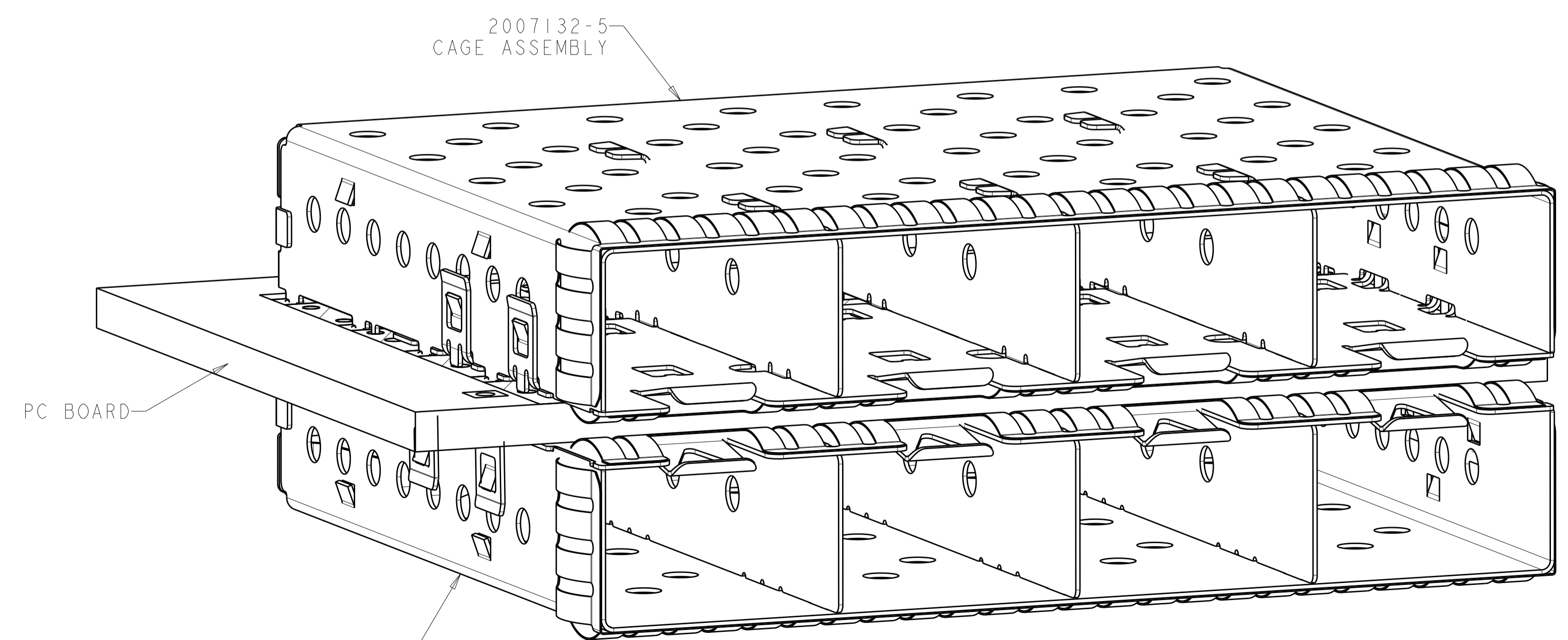
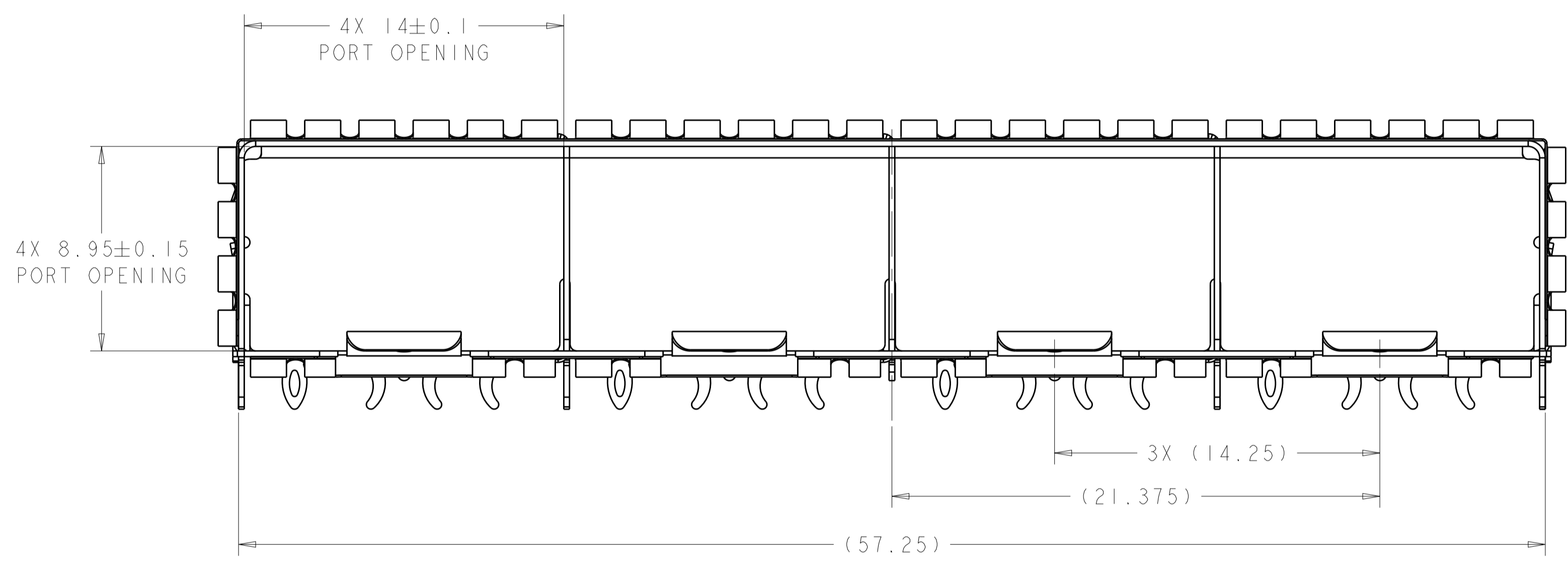
EMI SPRING  
 SCALE 6:1  
 FINISHED ASSEMBLY



WITH INSULATING TAPE  
 SCALE 4:1  
 2007132-5  
 FINISHED ASSEMBLY



SCALE 6:1

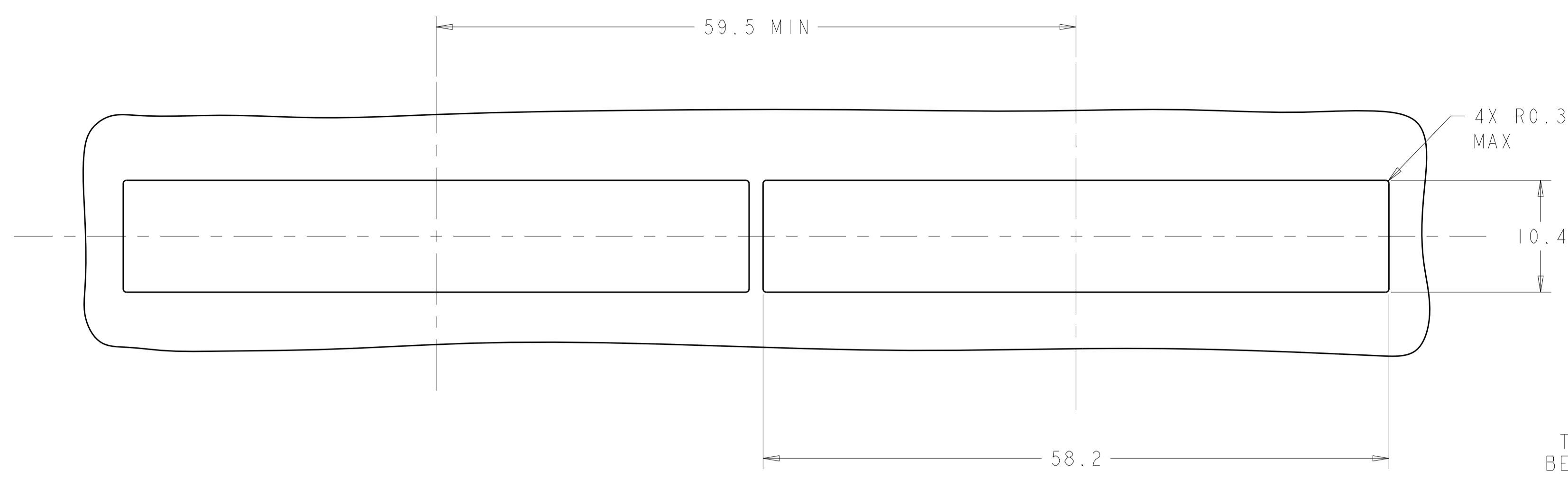


PC BOARD  
 2007132-5 CAGE ASSEMBLY  
 2007132-5 MOUNTED BELLYTO BELLY ON PCB  
 SCALE 5:1

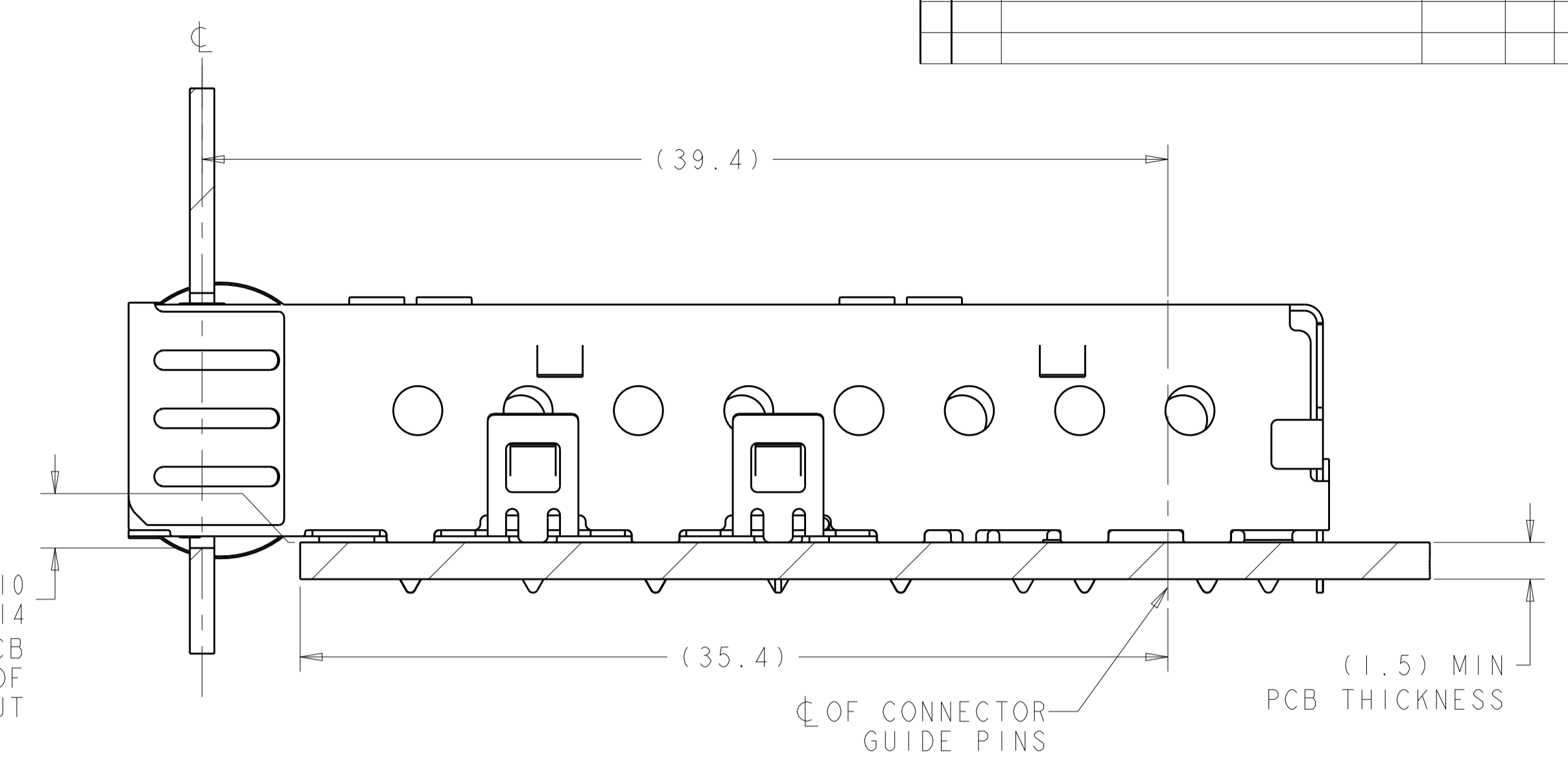
2007132-5  
 PART NUMBER

THIS DRAWING IS A CONTROLLED DOCUMENT.		DMN M. SCHMITT 21JUN2007	TE Connectivity NAME SFP+ 1X4 CAGE ASSEMBLY PRESS FIT, EXTERNAL EMI SPRINGS
DIMENSIONS:		CHK M. SCHMITT 21JUN2007	
mm		APV'D B. WERTZ 21JUN2007	
TOLERANCES UNLESS OTHERWISE SPECIFIED: 0 PLC ±0.1 1 PLC ±0.1 2 PLC ±0.1 3 PLC ±0.1 4 PLC ±0.1 ANGLES ±1°		PRODUCT SPEC 108-2364 APPLICATION SPEC 114-13120 WEIGHT - Customer Drawing	
MATERIAL		FINISH	SIZE CAGE CODE DRAWING NO. A100779C=2007132 SCALE 2:1 SHEET 3 OF 10 REV D2

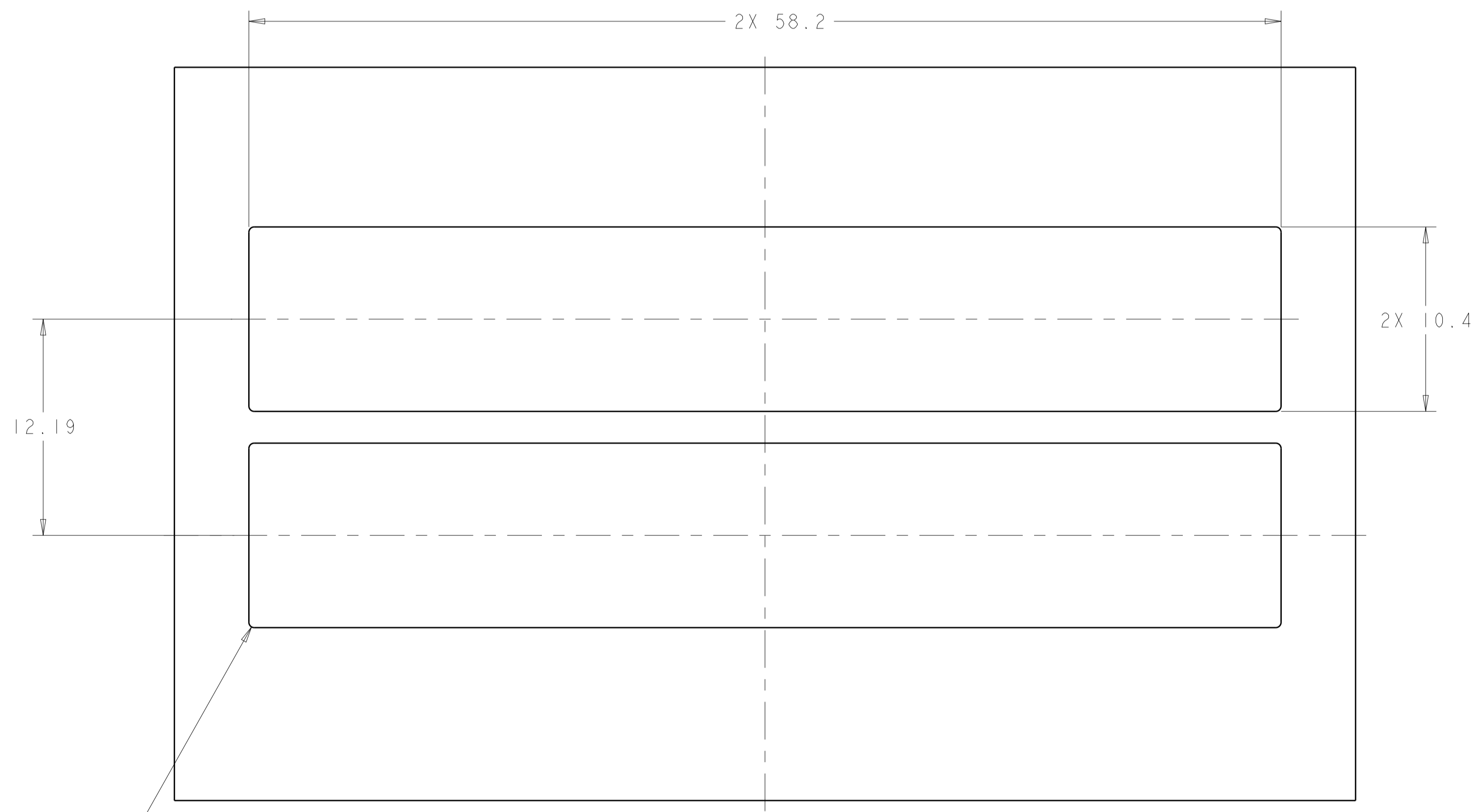
LOC		DIST		REVISIONS			
GP	00	P	LTN	DESCRIPTION	DATE	DMN	APVD
		-		SEE SHEET 1	-	-	-



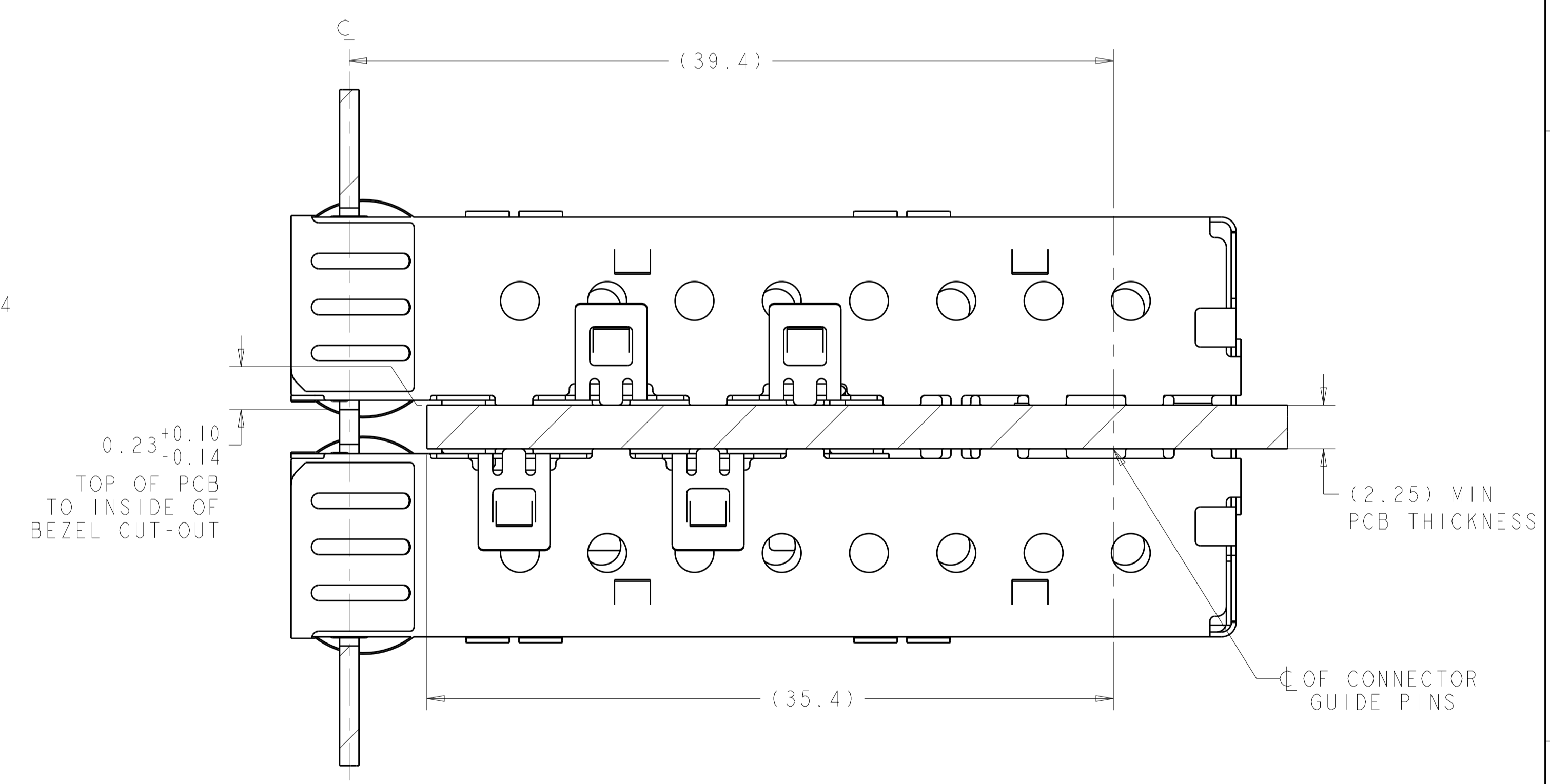
RECOMMENDED BEZEL CUT-OUT  
 SINGLE SIDED APPLICATIONS  
 SCALE 3:1



MOUNTED ON PC BOARD  
 SHOWN THRU RECOMMENDED BEZEL  
 SCALE 5:1



RECOMMENDED BEZEL CUT-OUT  
 BELLY TO BELLY APPLICATIONS  
 SCALE 5:1



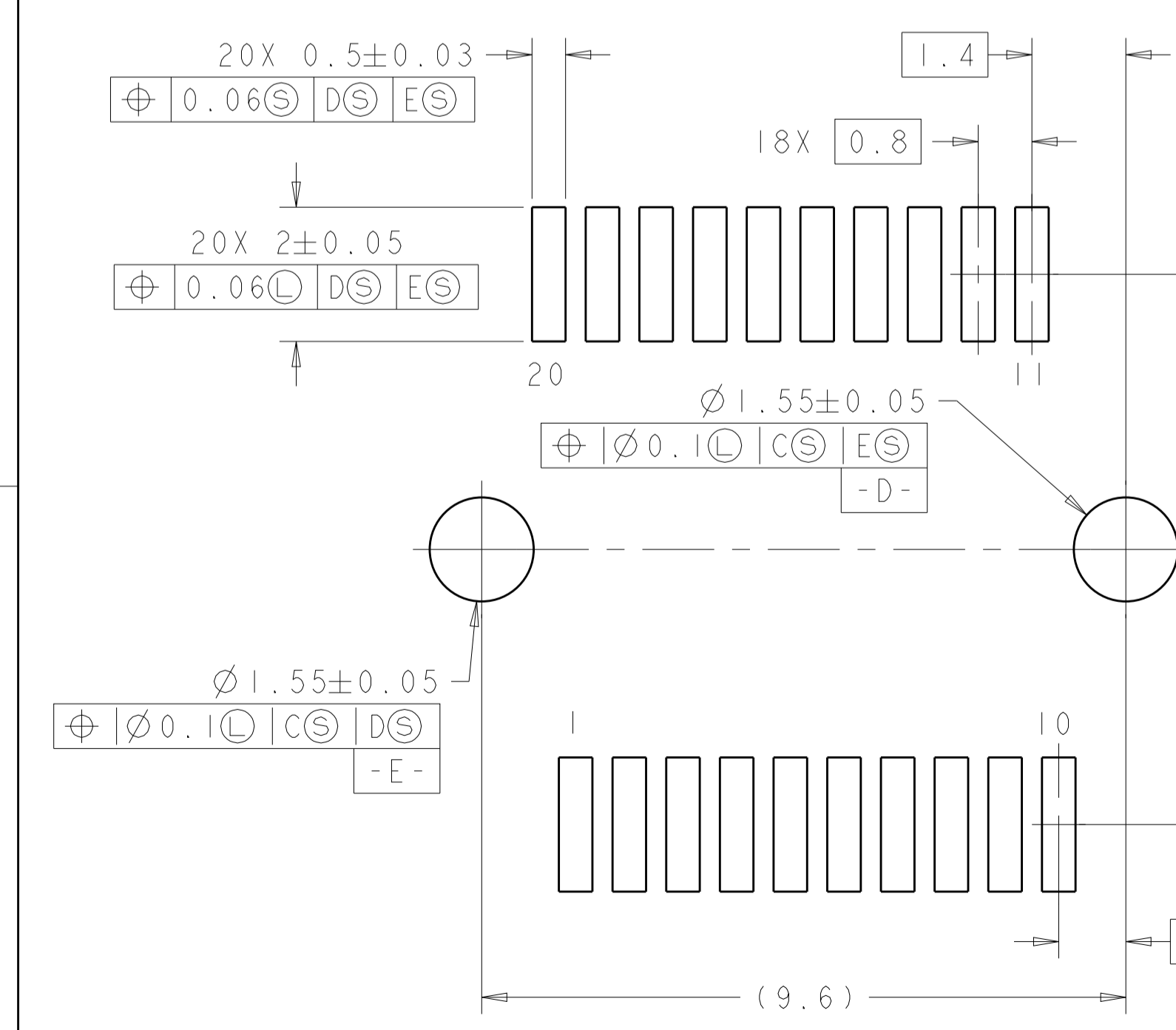
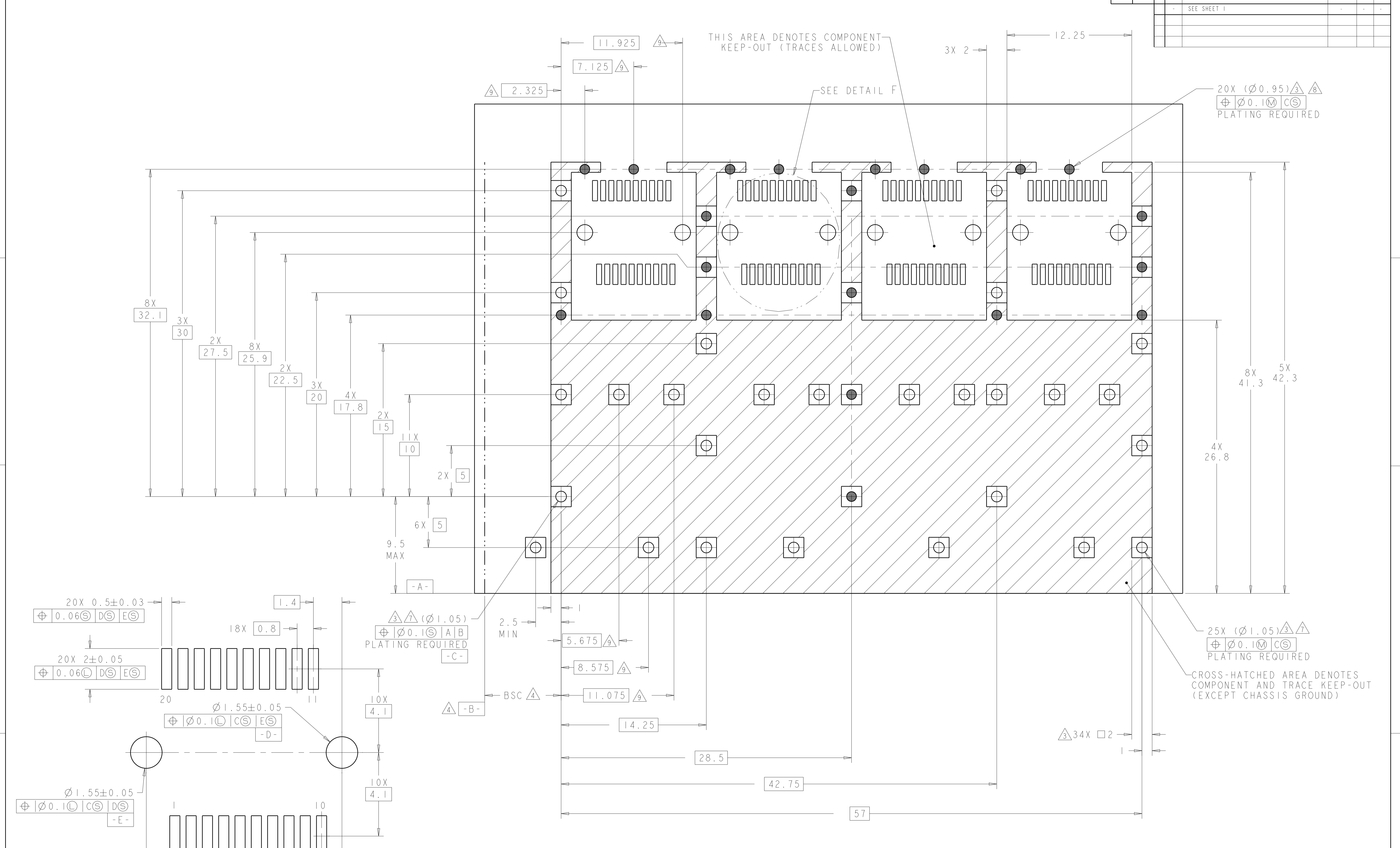
MOUNTED BELLY TO BELLY ON PC BOARD  
 SHOWN THRU RECOMMENDED BEZEL  
 SCALE 5:1

THIS DRAWING IS A CONTROLLED DOCUMENT.		DMN M. SCHMITT 21JUN2007	<b>STE</b> TE Connectivity
DIMENSIONS: mm		CHK M. SCHMITT 21JUN2007	
TOLERANCES UNLESS OTHERWISE SPECIFIED:		APVD B. WERTZ 21JUN2007	NAME SFP+ 1X4 CAGE ASSEMBLY PRESS FIT, EXTERNAL EMI SPRINGS
0 PLC ±0.1	1 PLC ±0.1	PRODUCT SPEC	SIZE CAGE CODE DRAWING NO RESTRICTED TO
2 PLC ±0.1	3 PLC ±0.1	108-2364	A100779C=2007132
4 PLC ±0.1	ANGLES ±0.1	APPLICATION SPEC	WEIGHT
FINISH	±1°	114-13120	Customer Drawing
		SCALE 2:1	SHEET 4 OF 10 REV D2

LOC	DIST	REV	DATE	BY	APPV
GP	00				

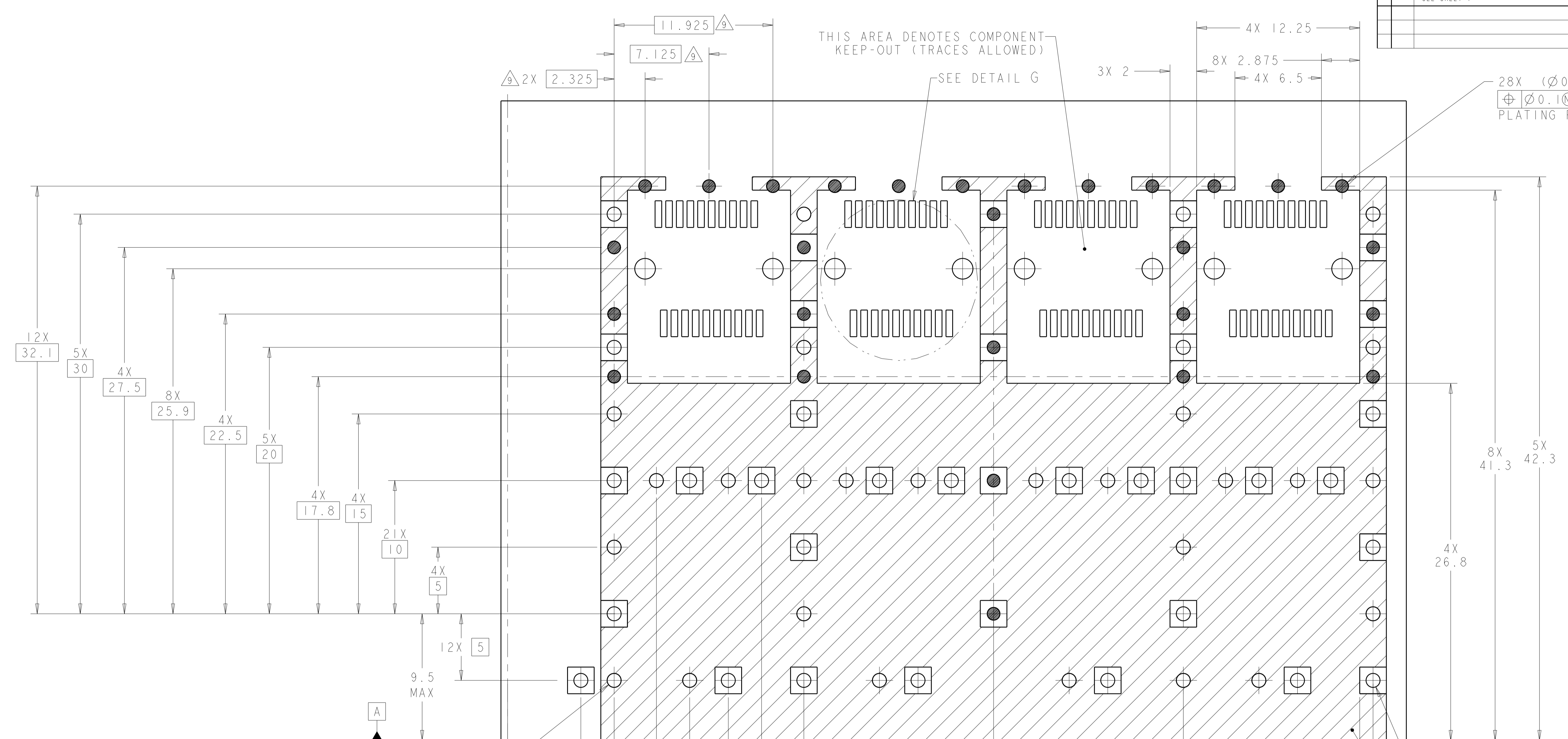
  

REVISIONS			
NO.	DESCRIPTION	DATE	BY
1	SEE SHEET 1	-	-



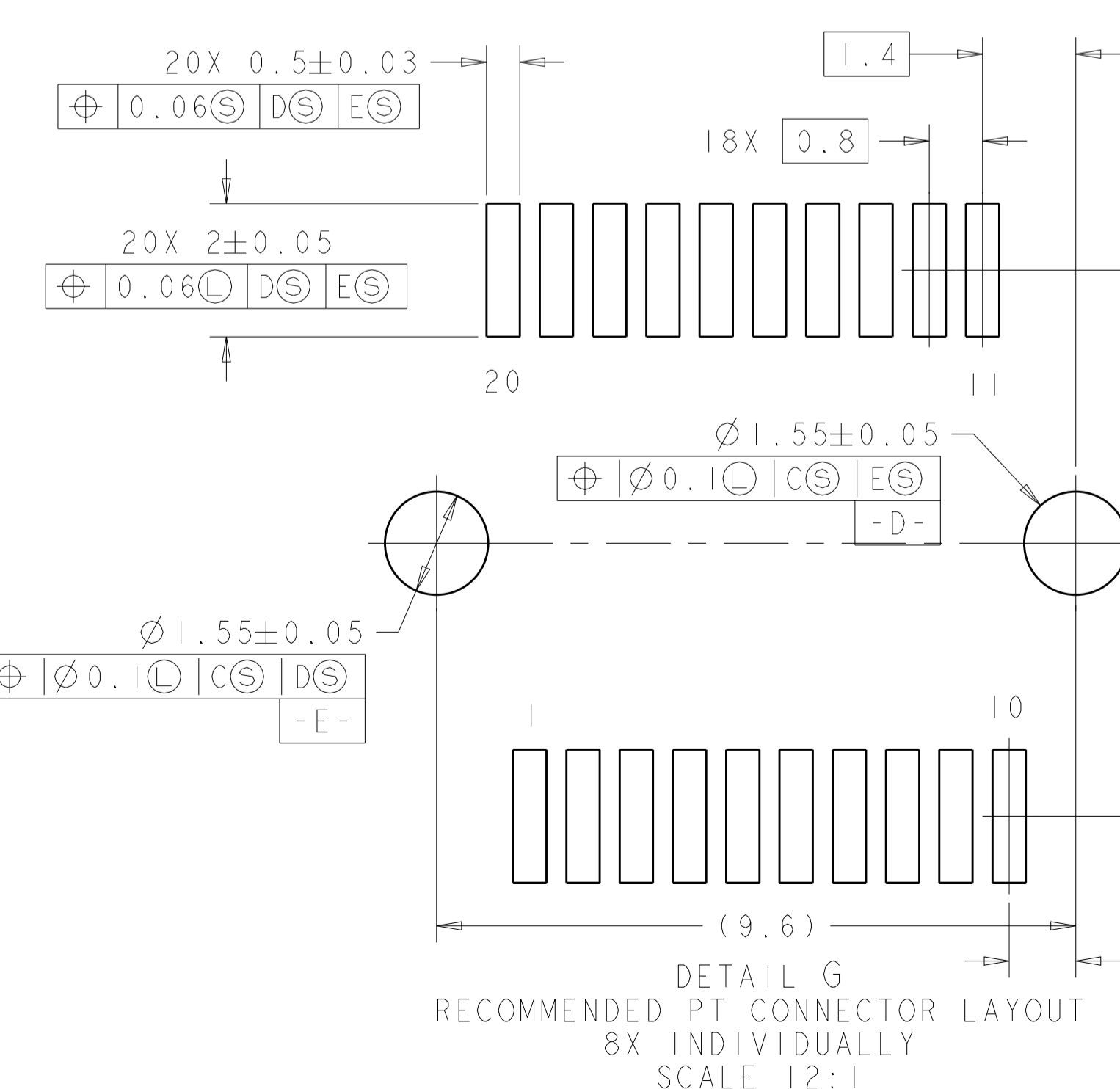
THIS DRAWING IS A CONTROLLED DOCUMENT.		OWN: M. SCHMITT 21JUN2007	TE Connectivity
DIMENSIONS: mm		CHK: M. SCHMITT 21JUN2007	
TOLERANCES UNLESS OTHERWISE SPECIFIED:		APPV: B. WERTZ 21JUN2007	NAME: SFP+ 1X4 CAGE ASSEMBLY PRESS FIT, EXTERNAL EMI SPRINGS
0 PLC	±0.1	PRODUCT SPEC	108-2364
1 PLC	±0.1	APPLICATION SPEC	114-13120
2 PLC	±0.1	WEIGHT	A100779C=2007132
3 PLC	±0.1	Customer Drawing	SCALE 2:1 SHEET 5 OF 10 REV D2
4 PLC	±0.1		
ANGLES	±1°		
FINISH			

LOC		DIST		REVISIONS				
GP	00	P.	LTN.	DESCRIPTION	DATE	DMN	APVD	
-	-	-	-	SEE SHEET 1	-	-	-	



2.5 MIN  
 1  
 3.175  
 5.675  
 8.575  
 11.075  
 10X 14.25  
 4X 28.5  
 10X 42.75  
 10X 57

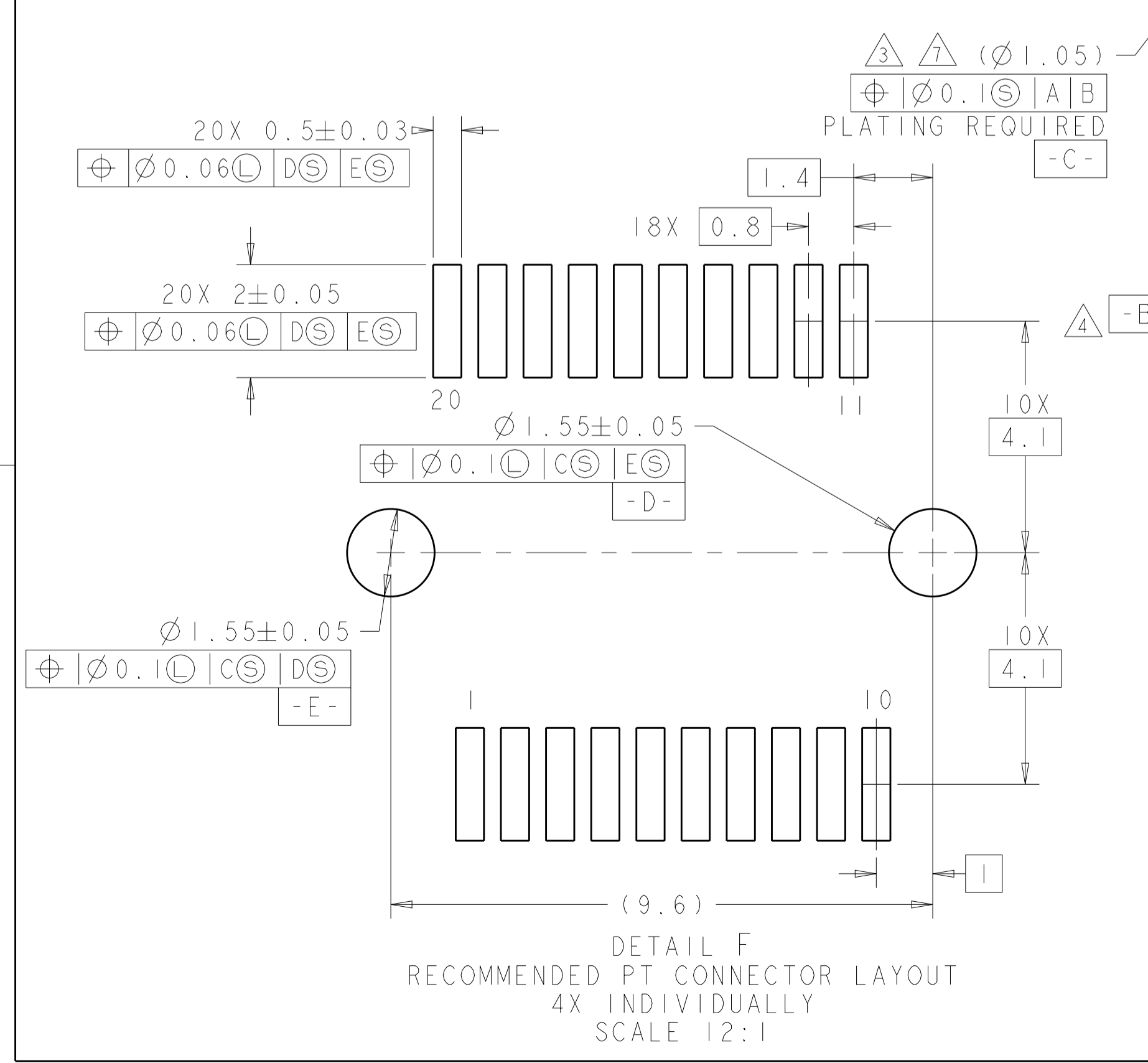
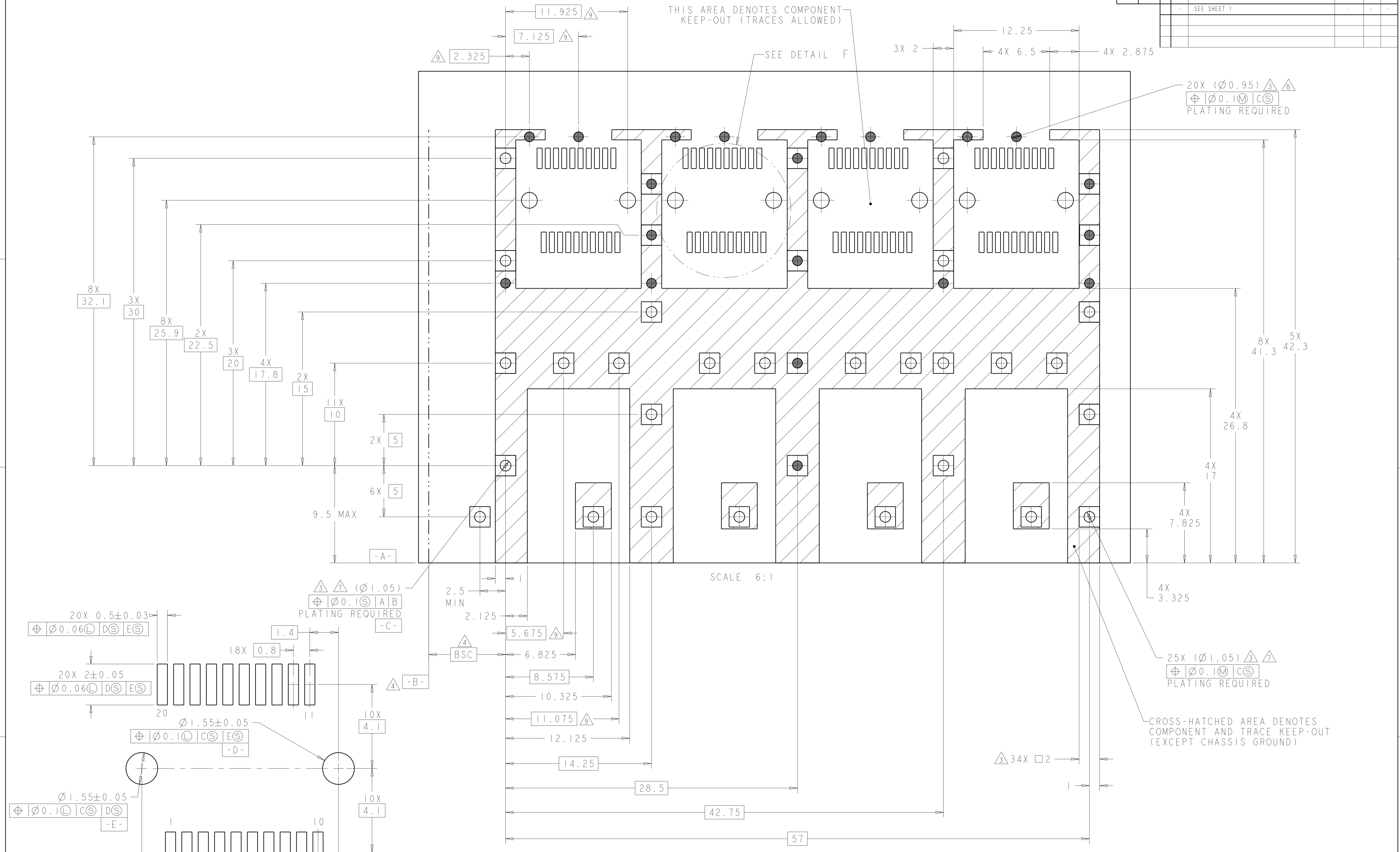
51X (Ø1.05)  
 PLATING REQUIRED  
 CROSS-HATCHED AREA DENOTES COMPONENT AND TRACE KEEP-OUT (EXCEPT CHASSIS GROUND)



2007132-1  
 RECOMMENDED PCB CONFIGURATION  
 WITH KEEP-OUT AREAS  
 BELLY TO BELLY APPLICATIONS

DIMENSIONS:		TOLERANCES UNLESS OTHERWISE SPECIFIED:		APVD		NAME	
mm	0 PLC	±0.1		B. WERTZ	21JUN2007	STE TE Connectivity	
	1 PLC	±0.1				SFP+ 1X4 CAGE ASSEMBLY	
	2 PLC	±0.1				PRESS FIT, EXTERNAL EMI SPRINGS	
	3 PLC	±0.1				SIZE CAGE CODE DRAWING NO	
	4 PLC	±0.1				RESTRICTED TO	
	ANGLES	±0.1				A100779C=2007132	
MATERIAL	FINISH					SCALE 2:1 SHEET 6 OF 10 REV D2	

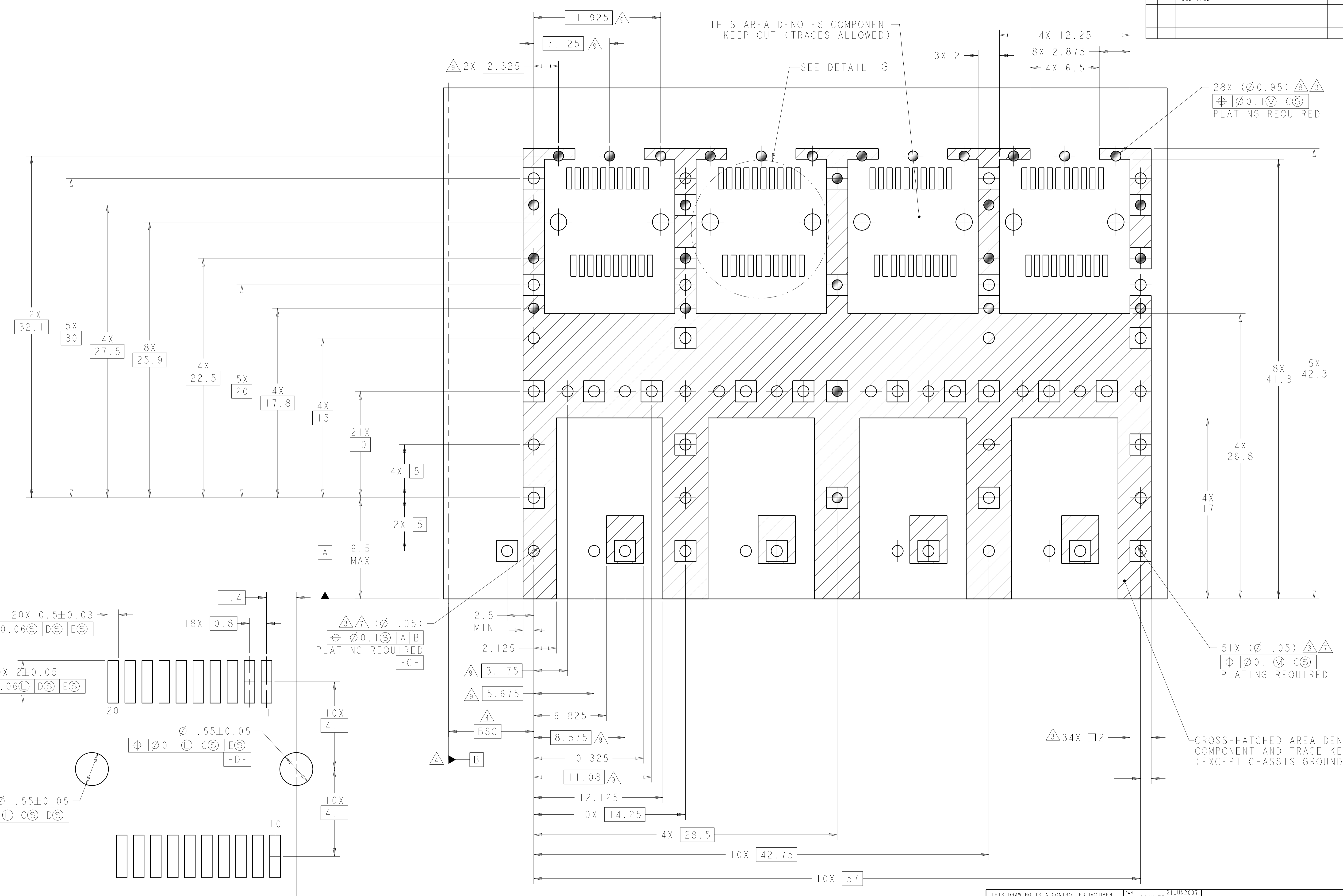
LOC	DIST	REVISIONS					
GP	00	P.	LTN	DESCRIPTION	DATE	DMN	APVD
-	-	-	-	SEE SHEET 1	-	-	-



2007132-5  
 RECOMMENDED PCB CONFIGURATION  
 WITH KEEP-OUT AREAS  
 SINGLE SIDED APPLICATIONS

THIS DRAWING IS A CONTROLLED DOCUMENT.		DMN: M. SCHMITT 21JUN2007	TE Connectivity
DIMENSIONS: mm		CHK: M. SCHMITT 21JUN2007	
TOLERANCES UNLESS OTHERWISE SPECIFIED:		APVD: B. WERTZ 21JUN2007	NAME: SFP+ 1X4 CAGE ASSEMBLY PRESS FIT, EXTERNAL EMI SPRINGS
0 PLC	±0.1	PRODUCT SPEC	108-2364
1 PLC	±0.1	APPLICATION SPEC	114-13120
2 PLC	±0.1	WEIGHT	A100779C=2007132
3 PLC	±0.1	Customer Drawing	SCALE 2:1 SHEET 7 OF 10 REV D2
4 PLC	±0.1		
ANGLES	±1°		
MATERIAL			
FINISH			

LOC	DIST	REVISIONS			
GP	00	REV	DATE	BY	APPROV
-	-	1	SEE SHEET 1	-	-



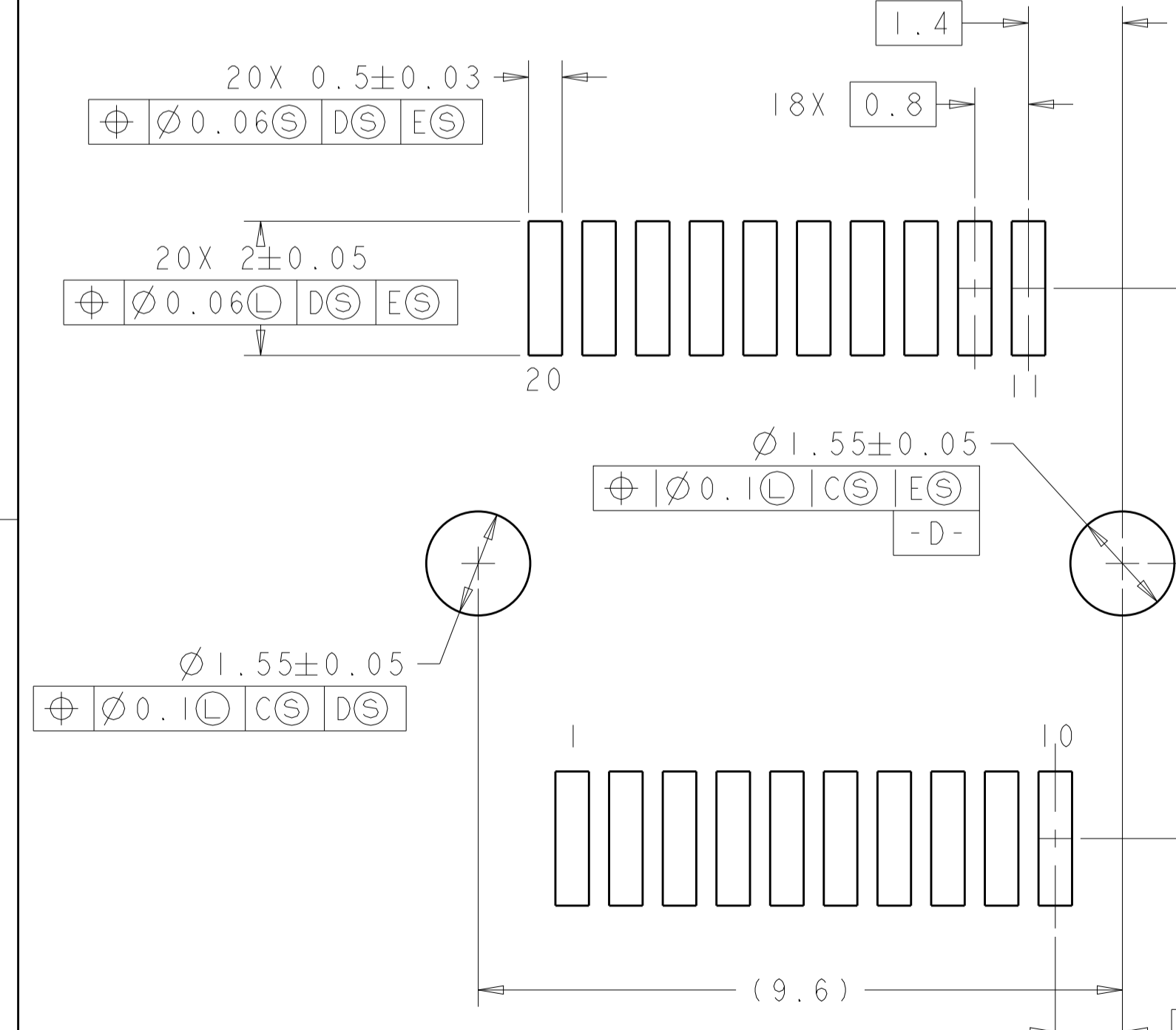
THIS AREA DENOTES COMPONENT KEEP-OUT (TRACES ALLOWED)

SEE DETAIL G

28X (Ø0.95) PLATING REQUIRED

51X (Ø1.05) PLATING REQUIRED

CROSS-HATCHED AREA DENOTES COMPONENT AND TRACE KEEP-OUT (EXCEPT CHASSIS GROUND)



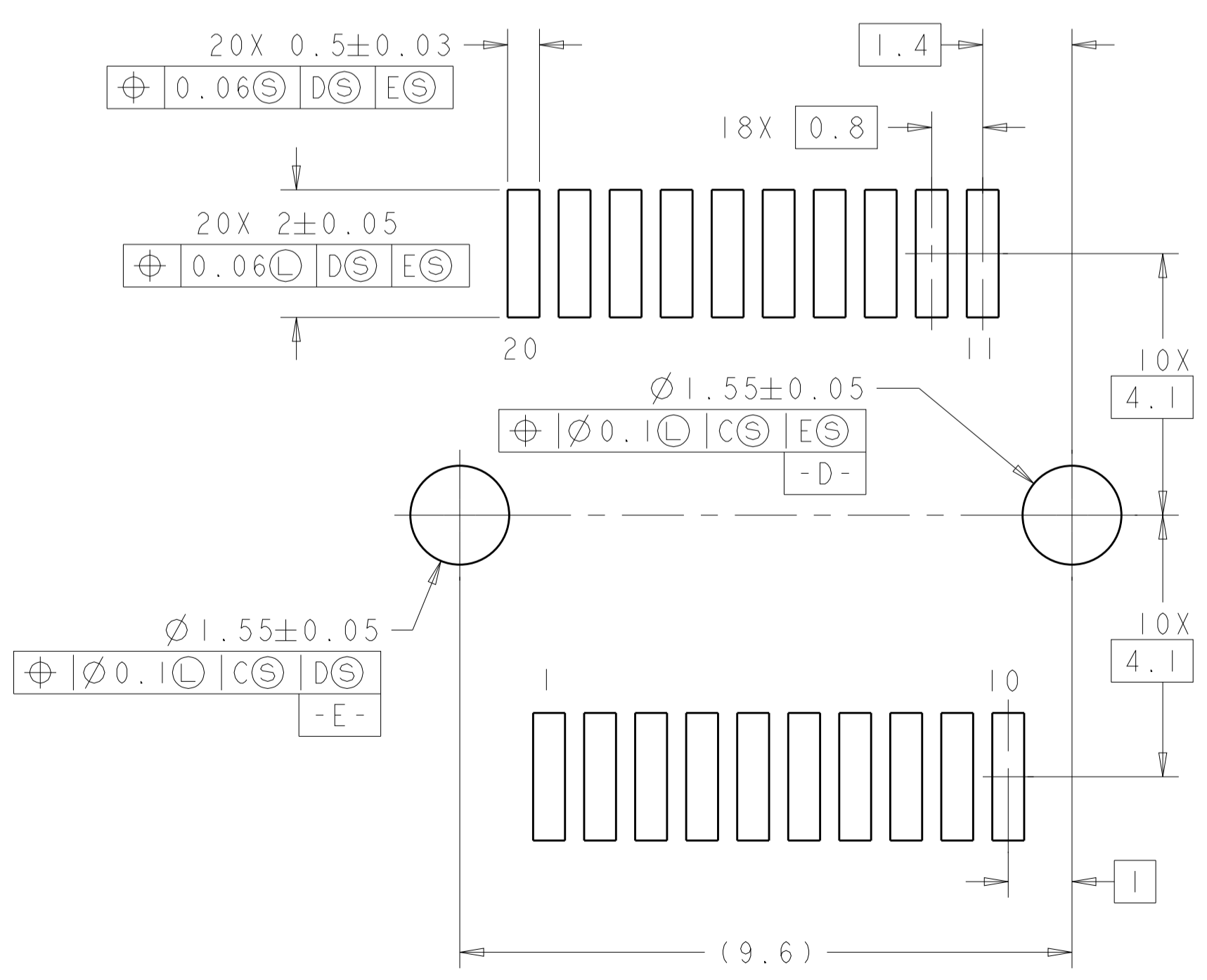
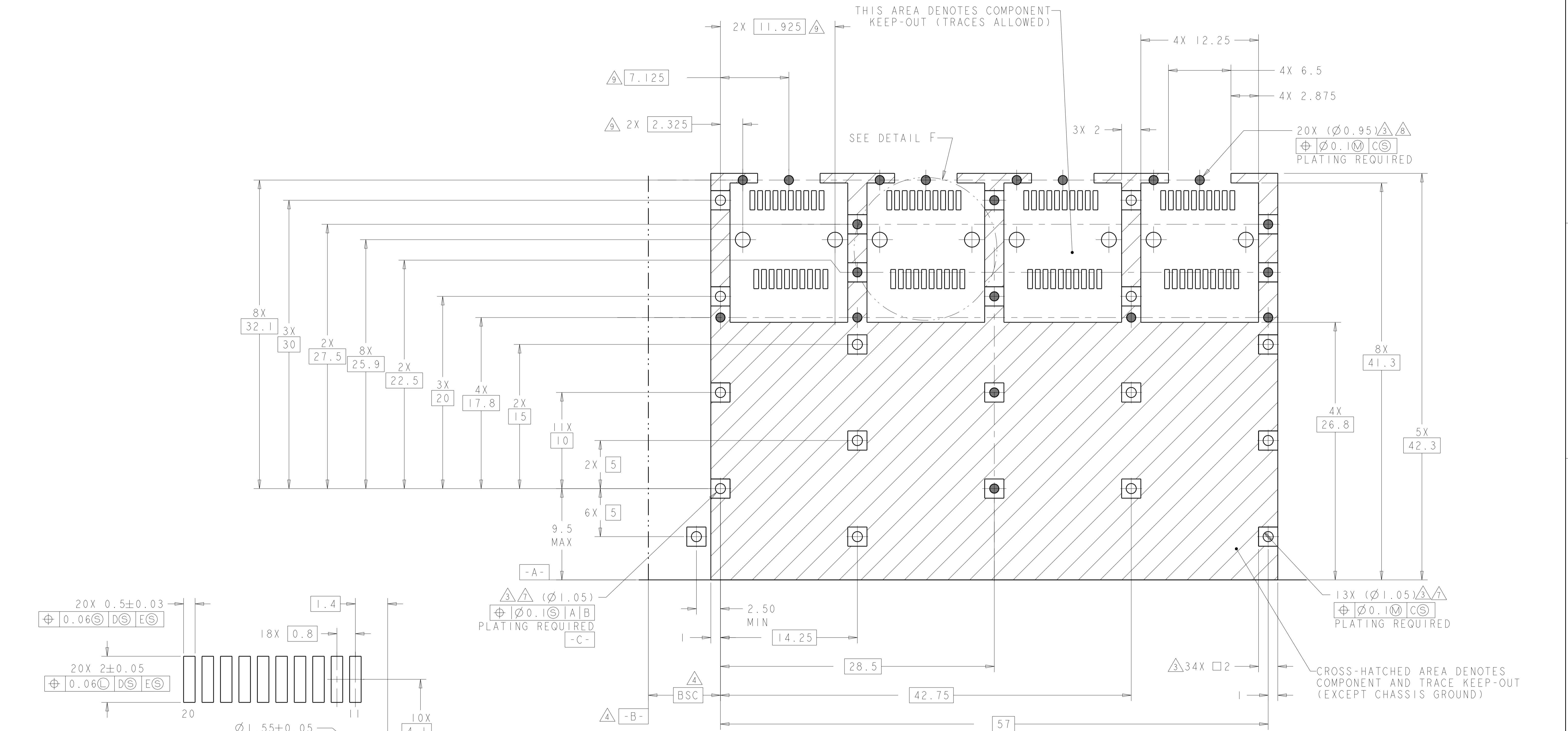
DETAIL G  
RECOMMENDED PT CONNECTOR LAYOUT  
8X INDIVIDUALLY  
SCALE 12:1

2007132-5  
RECOMMENDED PCB CONFIGURATION  
WITH KEEP-OUT AREAS  
BELLY TO BELLY APPLICATIONS

THIS DRAWING IS A CONTROLLED DOCUMENT.		DWN M. SCHMITT 21JUN2007 CHK M. SCHMITT 21JUN2007 APVD B. WERTZ 21JUN2007	<b>STE</b> TE Connectivity	
DIMENSIONS:	TOLERANCES UNLESS OTHERWISE SPECIFIED:	NAME	SFP+ 1X4 CAGE ASSEMBLY PRESS FIT, EXTERNAL EMI SPRINGS	
mm	0 PLC ±0.1 1 PLC ±0.1 2 PLC ±0.1 3 PLC ±0.1 4 PLC ±0.1 ANGLES ±0.1	PRODUCT SPEC	108-2364	
		APPLICATION SPEC	114-13120	
MATERIAL	FINISH	WEIGHT	A100779	SCALE 2:1 SHEET 8 OF 10 REV D2
Customer Drawing				



LOC	DIST	REVISIONS			
GP	00	REV	DATE	BY	APPD
-	-	SEE SHEET 1	-	-	-

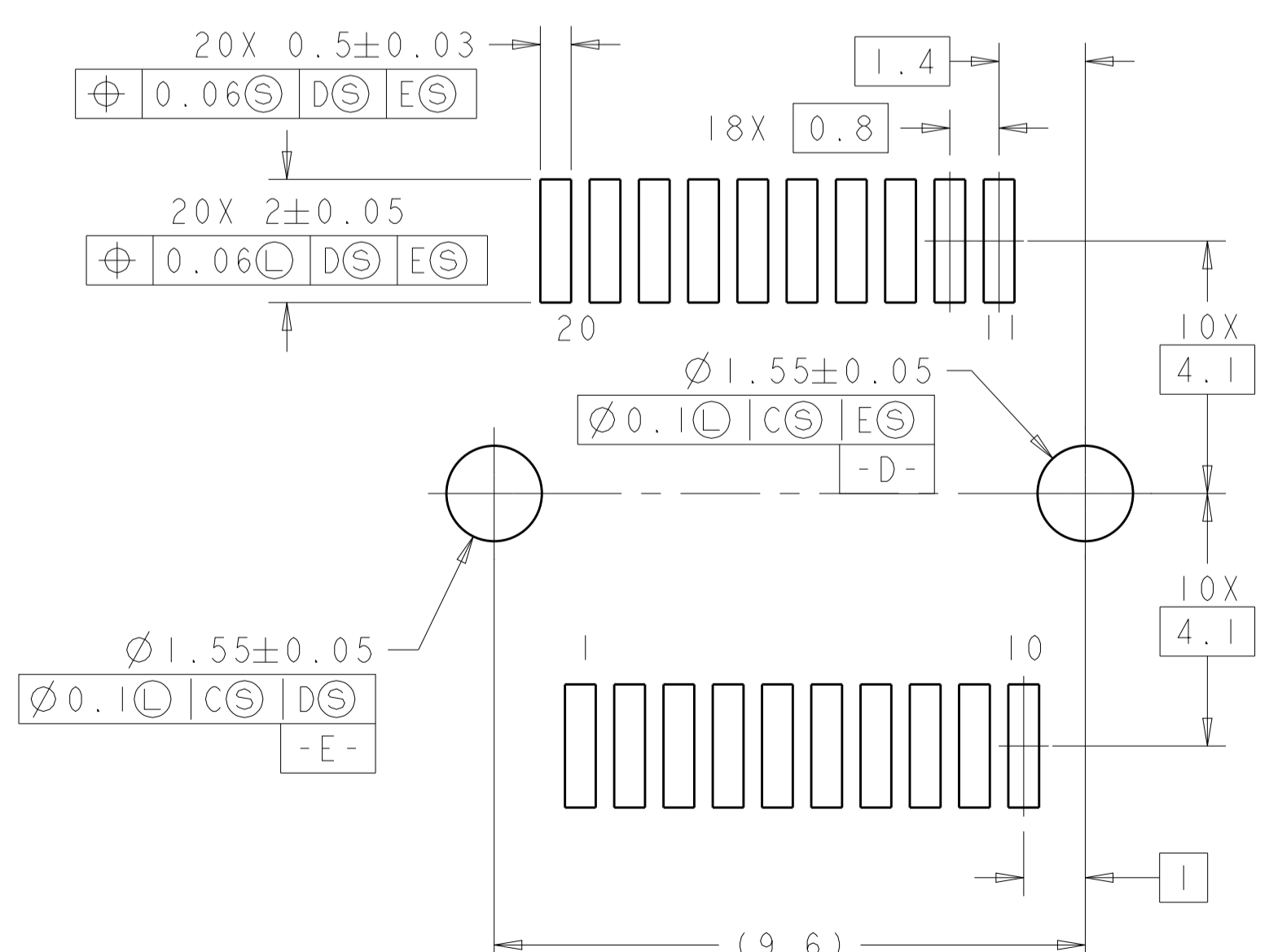
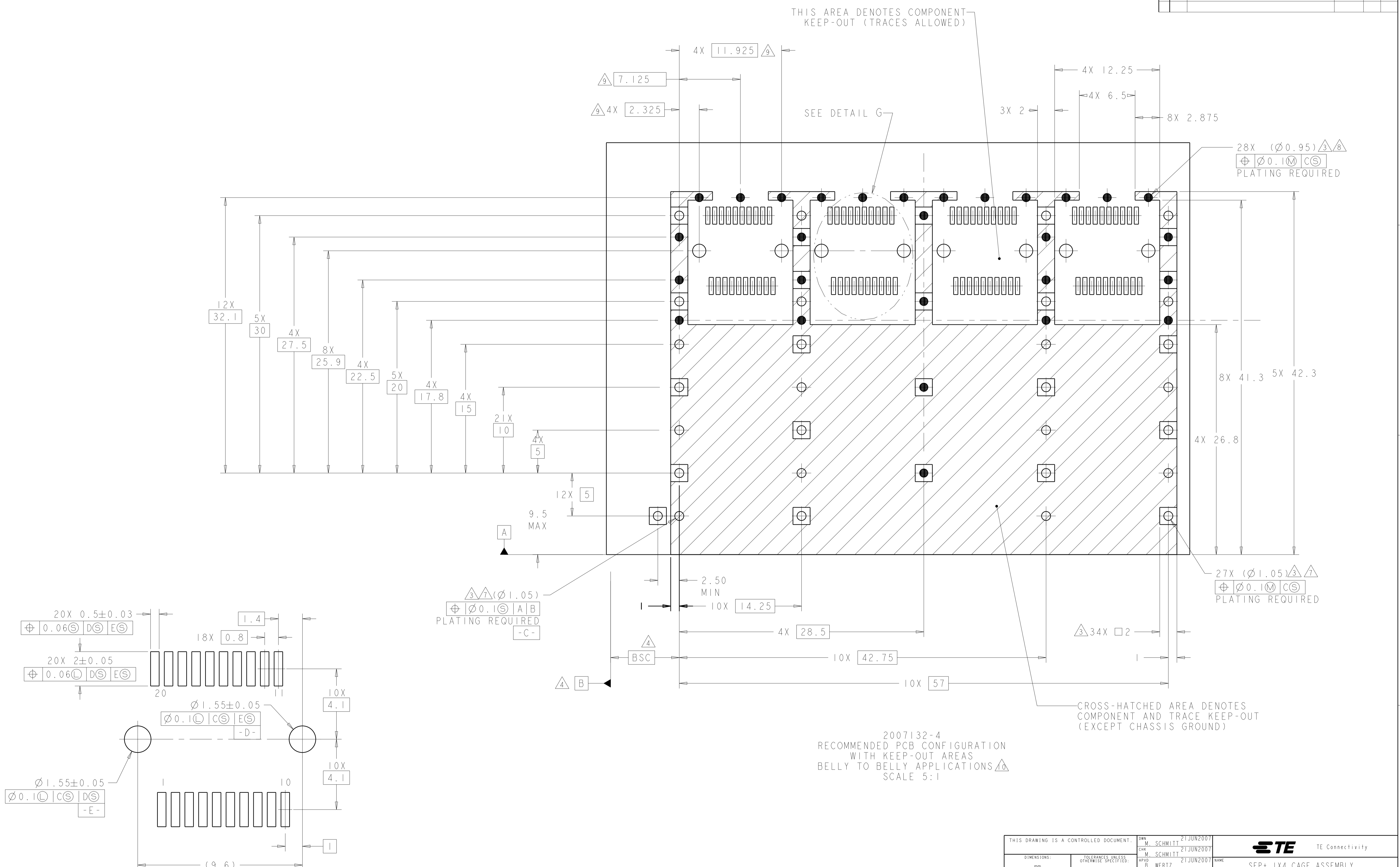


2007132-4  
 RECOMMENDED PCB CONFIGURATION  
 WITH KEEP-OUT AREAS  
 SINGLE SIDED APPLICATIONS  
 SCALE 5:1

DETAIL F  
 RECOMMENDED PT CONNECTOR LAYOUT  
 4X INDIVIDUALLY  
 SCALE 12:1

THIS DRAWING IS A CONTROLLED DOCUMENT.		DWN M. SCHMITT 21 JUN 2007 CHK M. SCHMITT 21 JUN 2007 APVD B. WERTZ 21 JUN 2007	TE Connectivity
DIMENSIONS: mm 	TOLERANCES UNLESS OTHERWISE SPECIFIED: 0 PLC ±0.1 1 PLC ±0.1 2 PLC ±0.1 3 PLC ±0.1 4 PLC ±0.1 ANGLES ±0.1	NAME SFP+ 1X4 CAGE ASSEMBLY PRESS FIT, EXTERNAL EMI SPRINGS	
MATERIAL	FINISH	PRODUCT SPEC 108-2364 APPLICATION SPEC 114-13120 WEIGHT Customer Drawing	SIZE CAGE CODE DRAWING NO RESTRICTED TO A1 00779C=2007132 SCALE 2:1 SHEET 9 OF 10 REV D2

LOC	DIST	REVISIONS					
GP	00	P	LTN	DESCRIPTION	DATE	DWN	APVD
-	-	-	-	SEE SHEET 1	-	-	-



DETAIL G  
 RECOMMENDED PT CONNECTOR LAYOUT  
 8X INDIVIDUALLY  
 SCALE 10:1

THIS DRAWING IS A CONTROLLED DOCUMENT.		DWN: M. SCHMITT 21JUN2007	TE Connectivity
DIMENSIONS: mm		CHK: M. SCHMITT 21JUN2007	
TOLERANCES UNLESS OTHERWISE SPECIFIED:		APVD: B. WERTZ 21JUN2007	NAME: SFP+ 1X4 CAGE ASSEMBLY PRESS FIT, EXTERNAL EMI SPRINGS
0 PLC ±0.1	1 PLC ±0.1	PRODUCT SPEC	SIZE: CAGE CODE DRAWING NO
2 PLC ±0.1	3 PLC ±0.1	108-2364	RESTRICTED TO
4 PLC ±0.1	5 PLC ±0.1	APPLICATION SPEC	A1 00779
ANGLES ±1°	WEIGHT	114-13120	SCALE 2:1 SHEET 10 OF 10 REV D2
MATERIAL	FINISH	Customer Drawing	