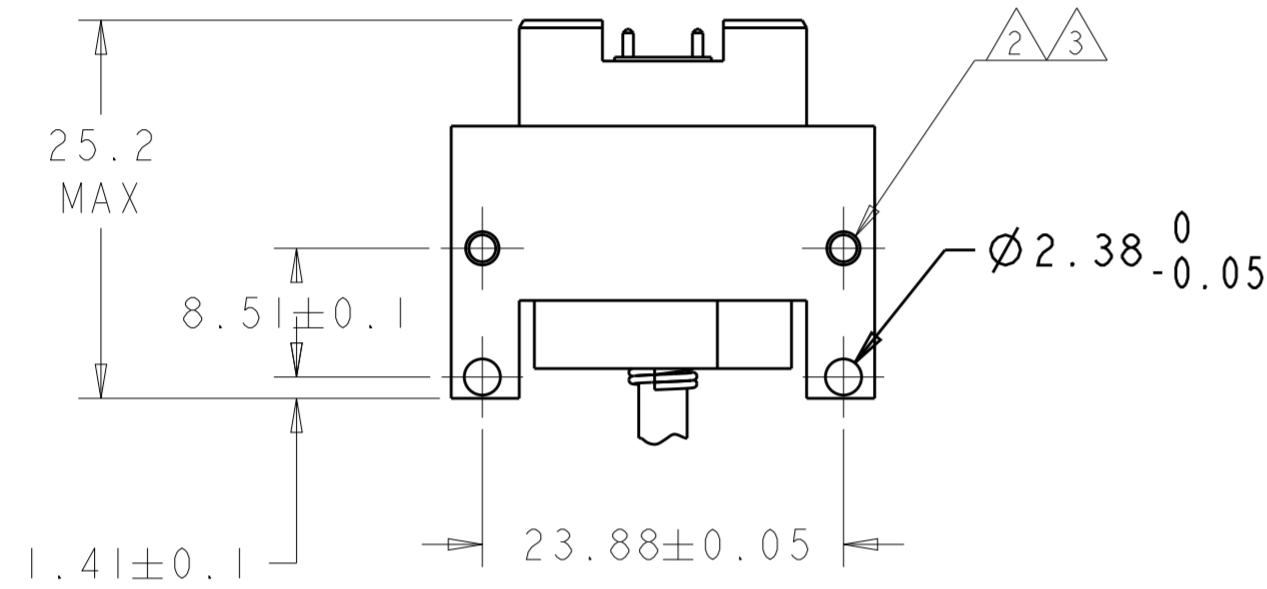
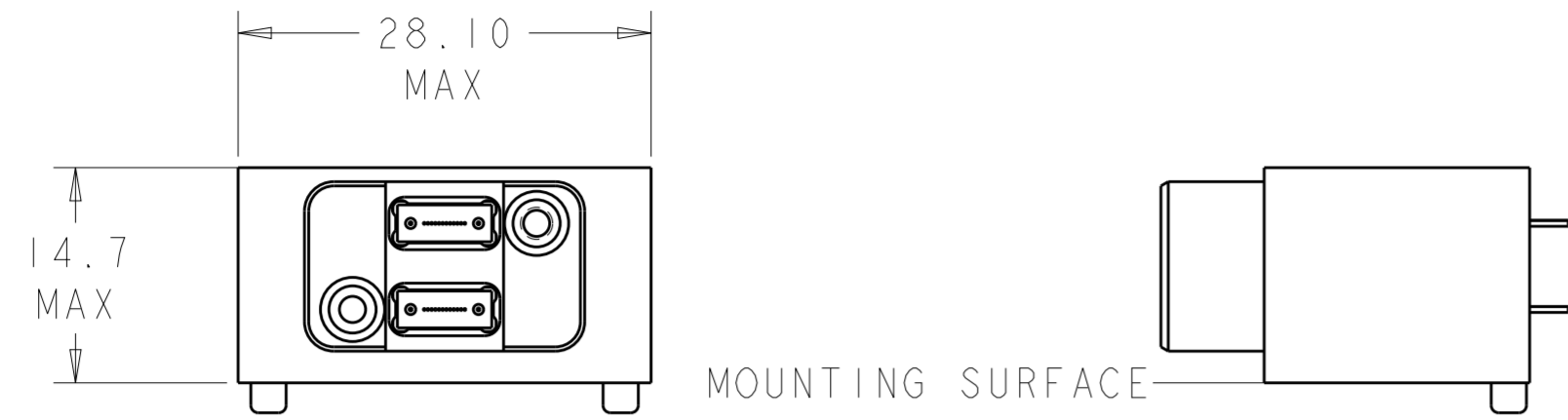


THIS DRAWING IS UNPUBLISHED. RELEASED FOR PUBLICATION 20  
 © COPYRIGHT 20 BY - ALL RIGHTS RESERVED.

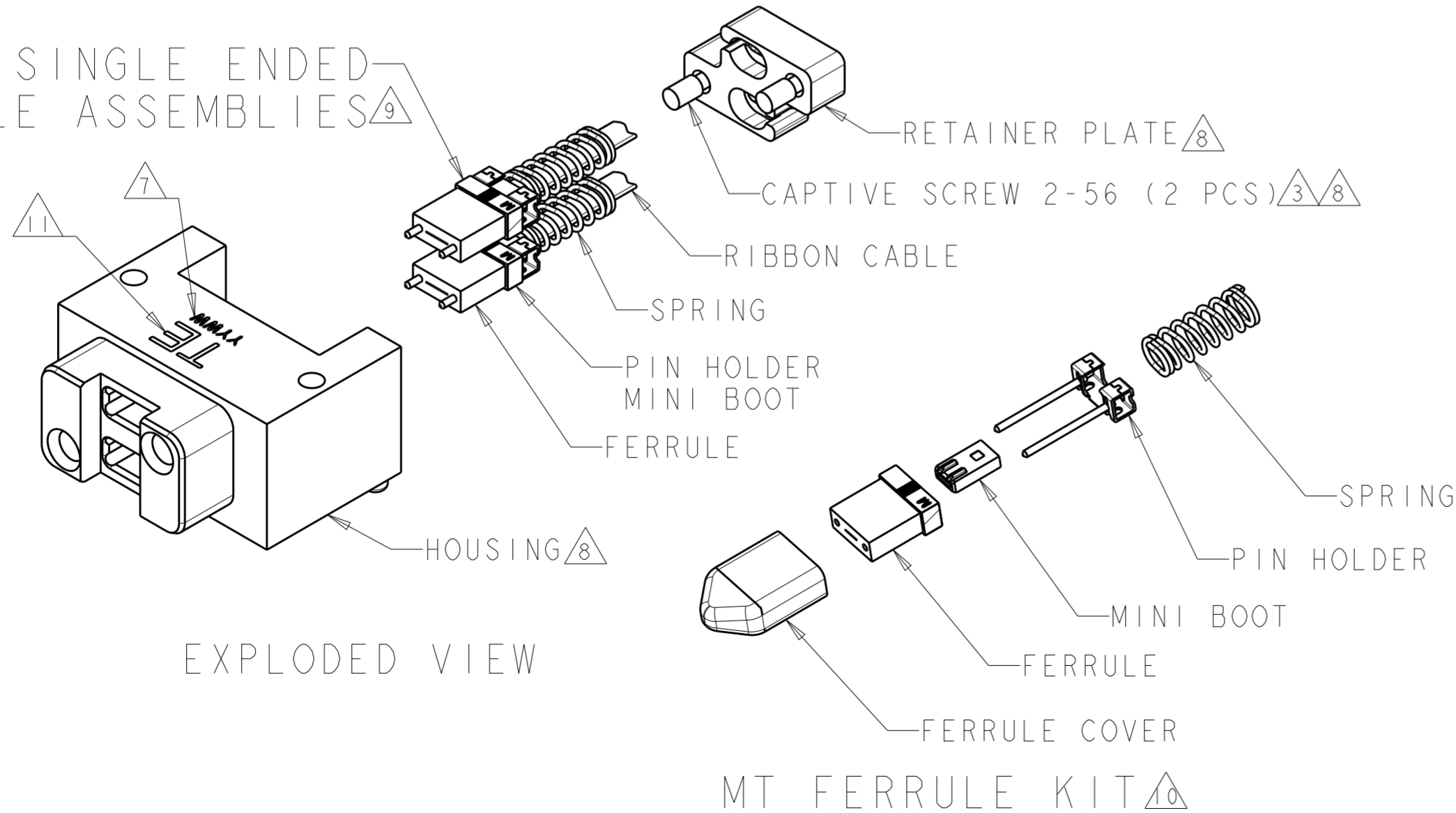
REVISIONS				
P	LTR	DESCRIPTION	DATE	APVD
A1		REVISE MT FERRULE ILLUSTRATION	20NOV2014	KG DW
A2		ECR-15-010353	16JUL2015	KG DW



ASSEMBLED VIEW  
 WITH REFERENCE  
 MT CABLE ASSEMBLIES INSTALLED

- 1 AREA REQUIRED FOR CONNECTOR PLACEMENT.
- 2 2-56 X 3/8" SCREWS WITH A PRE-APPLIED NYLOK PATCH ARE INCLUDED FOR PC-BOARD MOUNTING (NOT SHOWN). IF A PC-BOARD THICKER THAN 5.8mm IS USED LONGER SCREWS ARE REQUIRED.
- 3 RECOMMENDED TORQUE: 0.23-0.34 N-m [2-3 in-lb].
- 4 DATUM A REFERENCE PER ANSI/VITA 46.0-2007, APPENDIX C.
- 5 HOUSING & RETAINER PLATE:  
ALUMINUM ALLOY 6061 PER ASTM B209, OR ASTM B221.  
CAPTIVE SCREWS & BHCS: STAINLESS STEEL, 300 SERIES.
- 6 HOUSING & RETAINER PLATE:  
CLEAR CHROMATE CONVERSION COATING.  
CAPTIVE SCREWS & BHCS: PASSIVATED.
- 7 DATE CODE: YEAR & WEEK (YYWW).
- 8 THE MODULE CONNECTOR KIT, CONSISTING OF THE HOUSING, RETAINER PLATE WITH CAPTIVE SCREWS, AND 2-56 SCREWS, IS SHIPPED UNASSEMBLED.
- 9 SINGLE-ENDED FIBER-OPTIC (PIGTAIL) CABLE ASSEMBLIES ARE AVAILABLE SEPARATELY, 1938401-2.
- 10 UNASSEMBLED FIBER-OPTIC COMPONENTS KITS ARE AVAILABLE SEPARATELY, 2102866-2.
- 11 TE CONNECTIVITY PRODUCT IDENTIFIER.

SINGLE ENDED  
 CABLE ASSEMBLIES 9



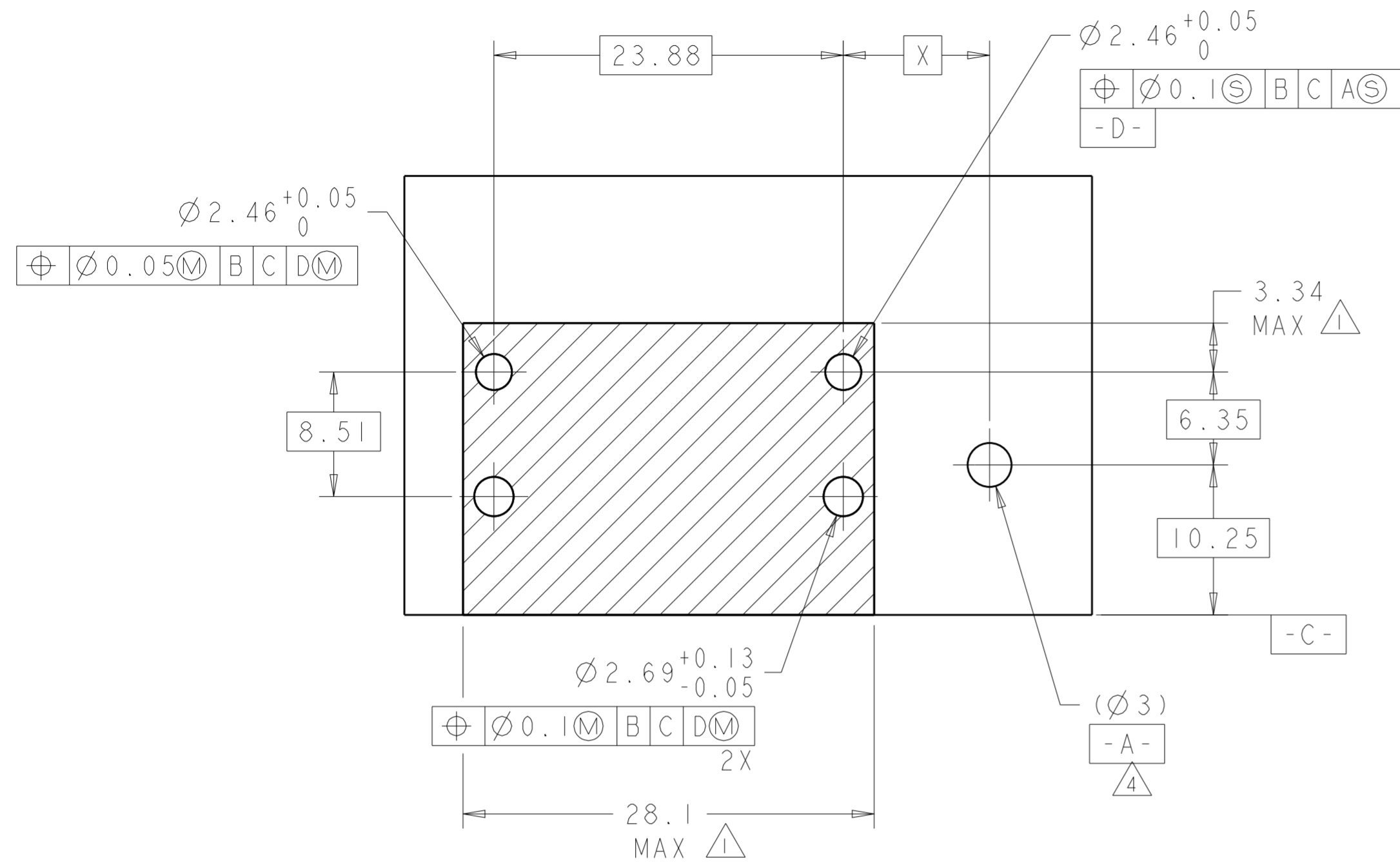
EXPLODED VIEW

PLUG (MODULE) KIT	A	2000974-1
COMMENT	PART REVISION	PART NUMBER

THIS DRAWING IS A CONTROLLED DOCUMENT. DIMENSIONING AND TOLERANCING PER ASME Y14.5M-2009		DWN R FLAIG 02JUN2009	 TE Connectivity
DIMENSIONS: mm		CHK J MOSIER 02JUN2009	
TOLERANCES UNLESS OTHERWISE SPECIFIED:		APVD J MOSIER 02JUN2009	
0 PLC ± 1 PLC ± 2 PLC ± 3 PLC ± 4 PLC ± ANGLES ± FINISH 6		PRODUCT SPEC 108-2467 APPLICATION SPEC 114-32050 WEIGHT -	
MATERIAL 5		Customer Drawing	NAME CONNECTOR KIT, PLUG, (MODULE) FIBER OPTIC, MT, VITA 66.1-STYLE SIZE A2 CAGE CODE 00779 DRAWING NO C-2000974 RESTRICTED TO - SCALE 3:1 SHEET 1 OF 2 REV A2

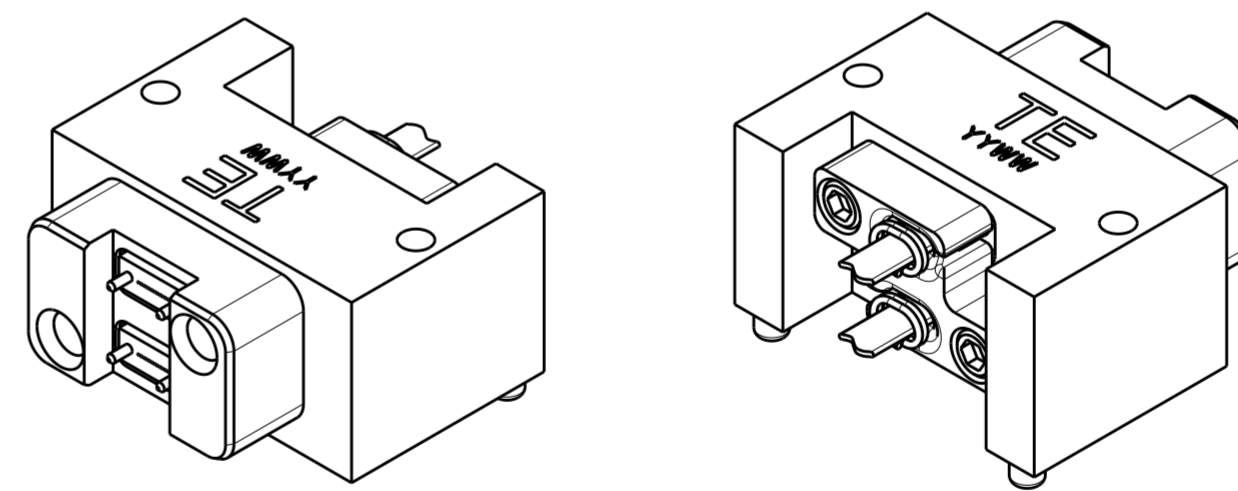
THIS DRAWING IS UNPUBLISHED. RELEASED FOR PUBLICATION 20  
 © COPYRIGHT 20 BY - ALL RIGHTS RESERVED.

REVISIONS				
P	LTR	DESCRIPTION	DATE	APVD
-	-	SEE SHEET 1	-	-



RECOMMENDED PLUG-IN MODULE FOOTPRINT

CONNECTOR LOCATION ON MODULE PCB	
POSITION	DIM "X"
P2	53.73
P3	96.55
P4	125.35
P5	154.15
P6	182.95



ASSEMBLED VIEW, WITH REFERENCE MT CABLE ASSEMBLIES INSTALLED

THIS DRAWING IS A CONTROLLED DOCUMENT. DIMENSIONING AND TOLERANCING PER ASME Y14.5M-2009		DWN R FLAIG 02JUN2009	TE Connectivity
DIMENSIONS: mm		CHK J MOSIER 02JUN2009	
TOLERANCES UNLESS OTHERWISE SPECIFIED:		APVD J MOSIER 02JUN2009	NAME
0 PLC ±	1 PLC ±	PRODUCT SPEC	CONNECTOR KIT, PLUG, (MODULE)
2 PLC ±	3 PLC ±	108-2467	FIBER OPTIC, MT, VITA 66.1-STYLE
4 PLC ±	ANGLES ±	114-32050	SIZE CAGE CODE DRAWING NO
MATERIAL	FINISH	WEIGHT	A200779 C-2000974
-	-	Customer Drawing	RESTRICTED TO
SCALE 2:1 SHEET 2 OF 2 REV A2			-