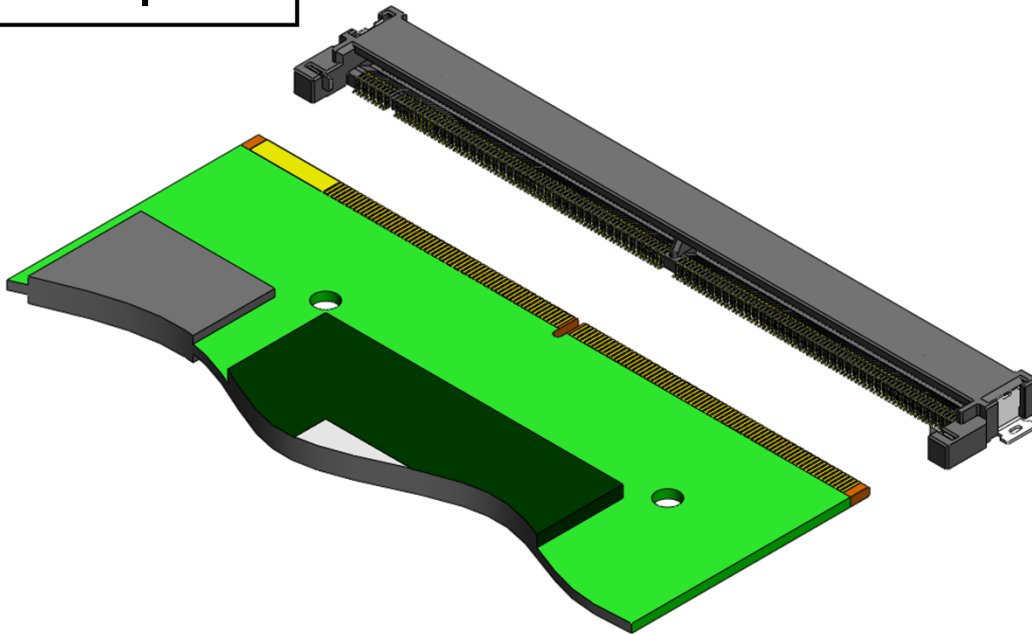


**NEW**  
**MXM3.0 Compatible Connector**  
**MM70 Series**CONNECTOR  
MB-0207-2  
April 2010**RoHS Compliant**

The MM70 series is a graphics board connector compatible with the MXM3.0 standard. It can be used to connect add-in MXM3.0 modules (graphics boards) in order to improve the graphics processing performance of personal computers.

**Features**

- Mating area is 0.5mm pitch, with two-layer upper and lower structure.
- Compatible with MXM3.0 standard. (Card edge type).
- Contact size: available in 2 types
  - 6.7mm height, 12.20mm depth, and 89.9mm width. (3.0mm board height)
  - 4.3mm height, 12.75mm depth, and 89.9mm width. (1.5mm board height)
- Precision positioning stopper for MXM3.0 module prevents contact failure.

**General Specifications**

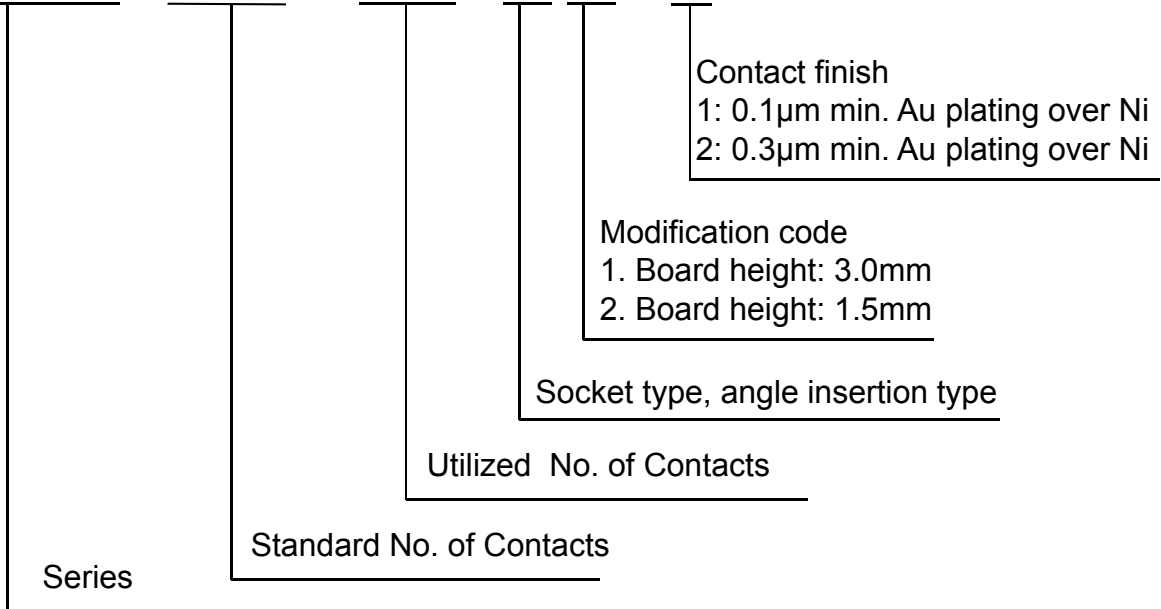
- No. of Contacts: 314 pos. equivalent (310 pos.)
- Contact Resistance: 55m  $\Omega$  max. (initial), 80m  $\Omega$  max. (after test)
- Dielectric Withstanding Voltage: AC 250Vr.m.s (per minute)
- Rated Current: 0.5A per pin
- Insulation Resistance: 50M  $\Omega$  min. (after test)
- Durability: 30 times
- Operating Temperature: -40 to +85 Deg. C

Materials and Finishes

Component	Material / Finish
Insulator	Heat resistant plastic
Contact	Copper alloy / contact area: 0.1µm min. Au plating over Ni
Hold down	Copper alloy / Sn plating over Ni
Stopper	Copper alloy / Sn plating over Ni

Ordering Information

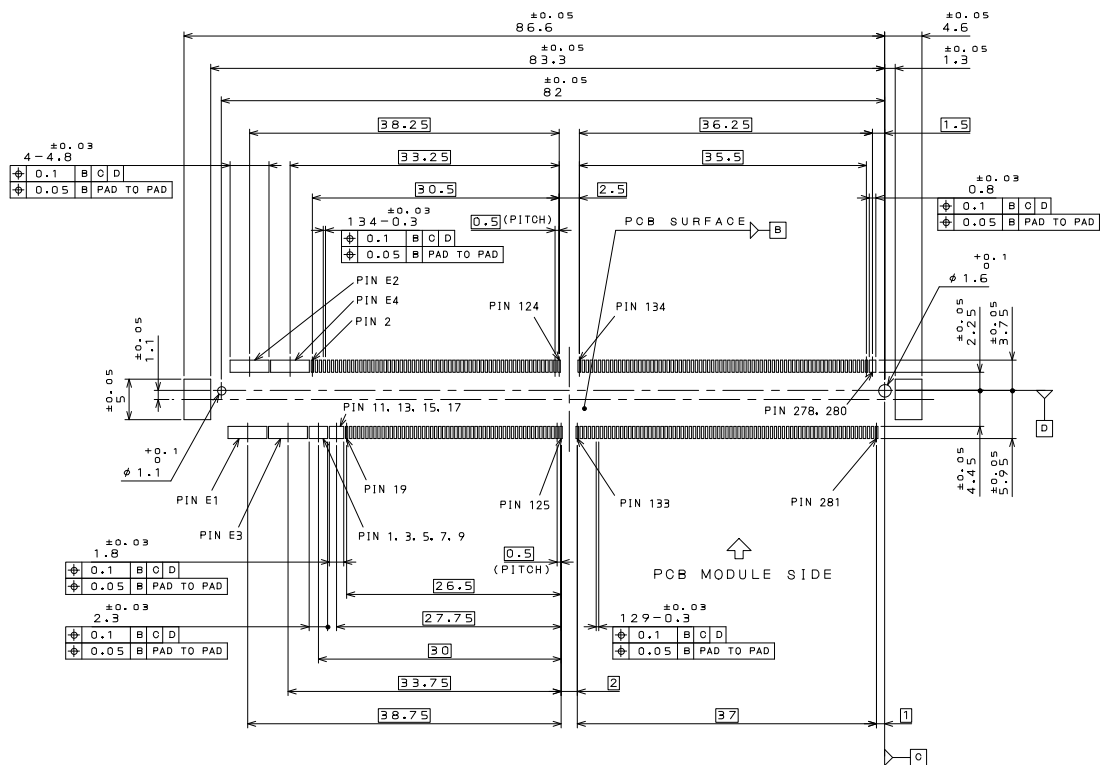
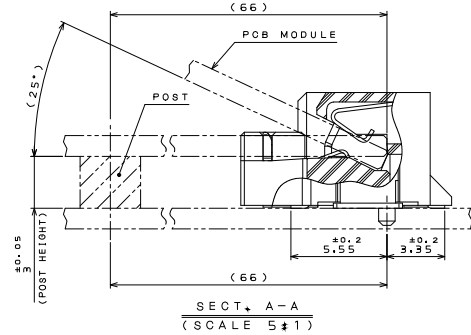
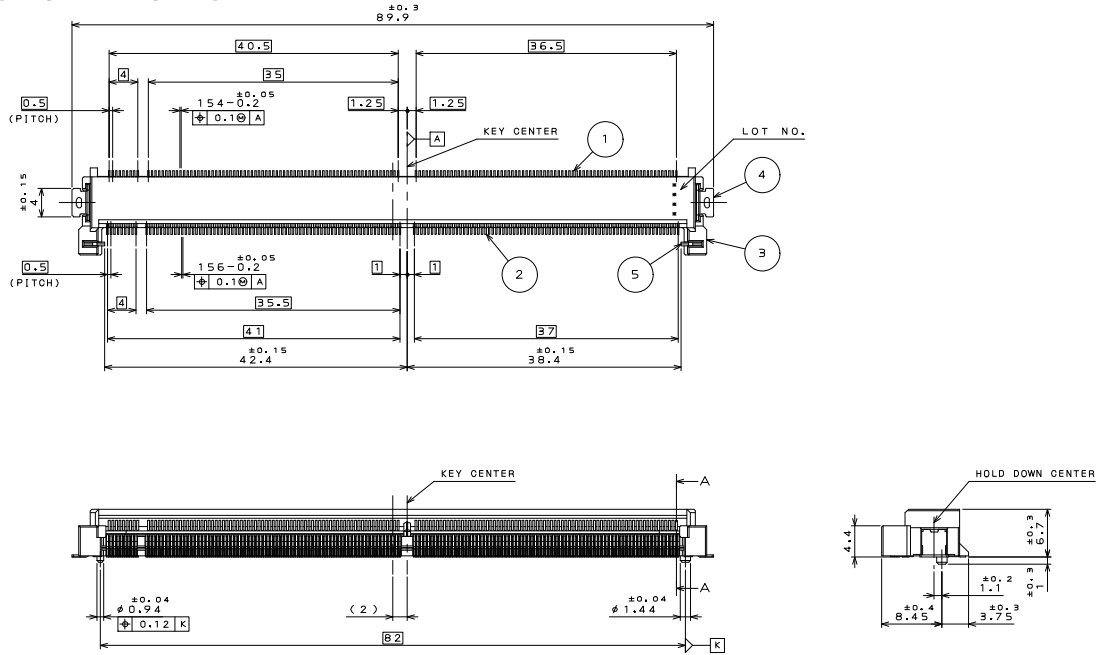
**MM70- 314 - 310 B 2 - \***



Drawing No.

Part Number	SJ Drawing	Specification
MM70-314-310B2-1	SJ109148	JACS-10543
MM70-314-310B2-2		
MM70-314-310B1-1	SJ109265	
MM70-314-310B1-2		

# MM70-314-310B1-\*



APPLICABLE P.C.B. DIMENSION (REF.)  
適合基板寸法 (参考)



