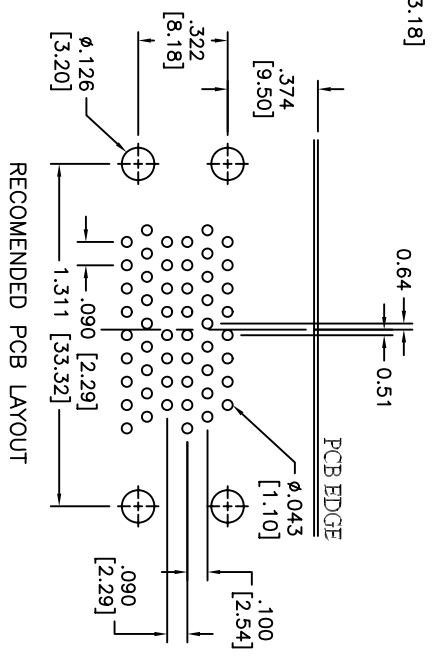
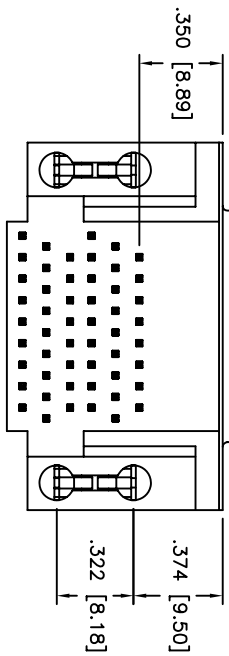
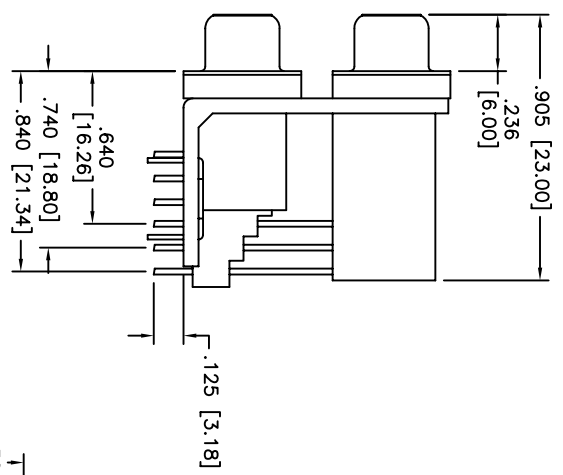
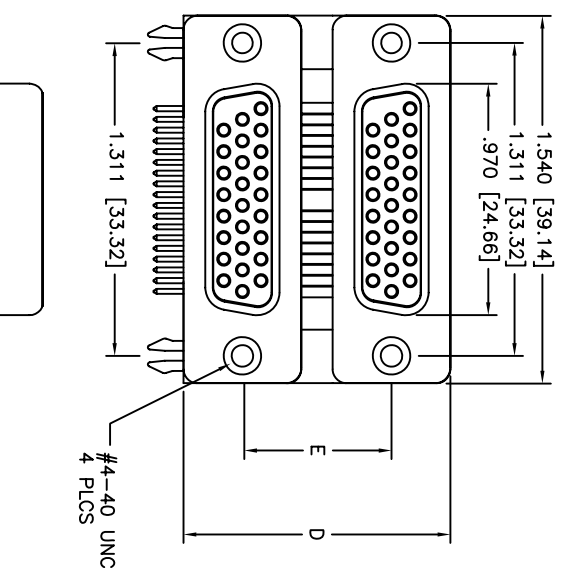


Rev	AWO #	Description	Date	Appr
-		RELEASED	6/19/06	

APPROVED: _____
 DATE: _____ TITLE: _____



PORT SPACING	Plug Dimensions	
	-X3	F
.900 [22.86]	A3 .900 [22.86]	1.394 [35.41]
.750 [19.05]	B3 .750 [19.05]	1.244 [31.60]
.625 [15.88]	C3 .625 [15.88]	1.120 [28.43]

SPECIFICATIONS:

Material: Insulator: PBT, glass reinforced, rated UL 94V-0
 Insulator color: Black
 Contacts: Brass
 Shell: Cold Rolled Steel, Nickel plated
 Plating: Gold Flash over Nickel underplate on contact area, Tin over Copper underplate on solder tails

Electrical:

Operating voltage: 250 VAC max
 Current rating: 3 Amps max
 Contact resistance: 25 mohms max
 Insulation resistance: 5000 Mohms min @ 500 VDC
 Dielectric withstanding voltage: 1000 VAC for 1 minute
 Temperature Rating: Operating temperature: -55°C to +105°C
 Environmental: Lead free, RoHS compliant.
 Recommended soldering temp: 235°C for 5 sec.



ADAM TECH

909 Rahway Avenue, Union, NJ 07083
 Phone: 908-687-5000 Fax: 908-687-5710

TITLE: DUAL PORT D-SUB, RIGHT ANGLE
 26P FEMALE OVER 28P FEMALE, PCB

UNLESS OTHERWISE SPECIFIED ALL DIMENSIONS ARE IN INCHES [MM]		TOLERANCES: EXCEPT AS NOTED	
.X	± .10	ØX	± .10
.XX	± .020	ØXXX	± .015
.XXX	± .015	ØXXXX	± .010
APPROVALS	DATE	DATE	DATE
DRAWN	SS	6/19/06	
CHECKED			
APPROVED			
SIZE	PART NO.	SCALE	SHEET 1 OF 1
X	DPD-HD26-00-X3	NTS	