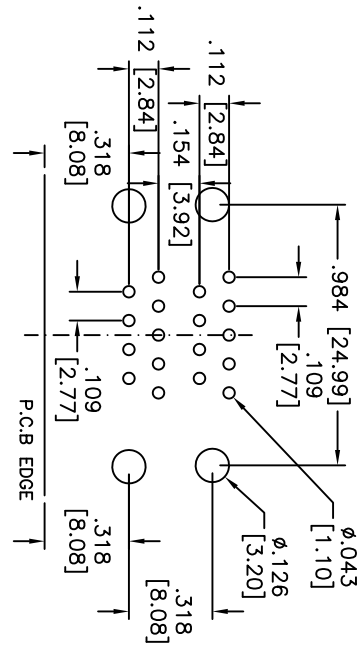
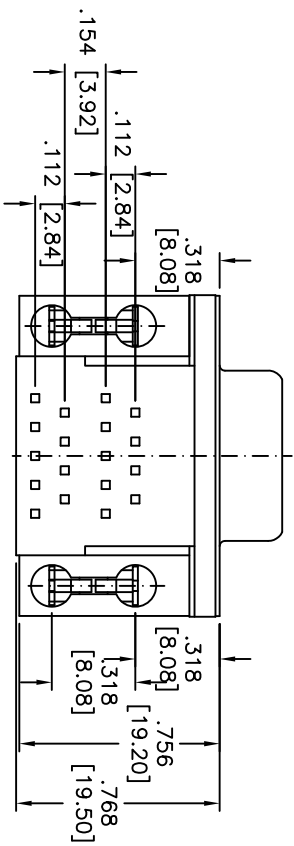
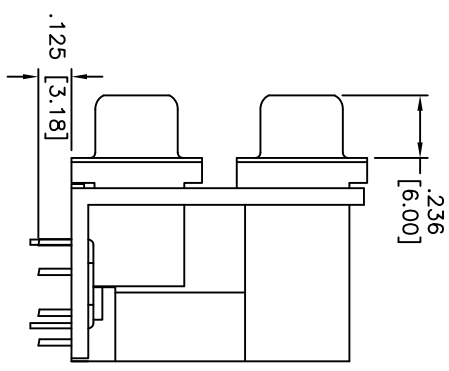
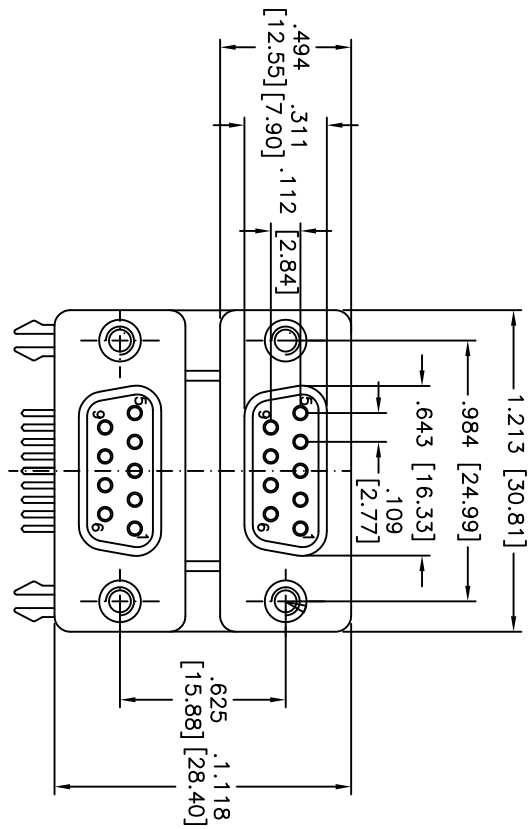


Rev	AWO #	Description	Date	Appr
-		RELEASED	1/20/10	

APPROVED: \_\_\_\_\_  
 DATE: \_\_\_\_\_ TITLE: \_\_\_\_\_



RECOMMENDED PCB LAYOUT

**SPECIFICATIONS:**

- Material: Insulator: PBT, rated UL 94V-0
- Insulator color: Black
- Contacts: Brass
- Shell: Cold Roller Steel, Nickel plated
- Plating: Gold flash over Nickel underplate overall
- Electrical: Current rating: 5 Amps max.
- Contact resistance: 25 mohms max. initial
- Insulation resistance: 5,000 Mohms min.
- Dielectric withstanding voltage: 1,000 VAC for 1 minute
- Temperature Rating: Operating temperature: -55°C to +105°C
- Environmental: Lead free, RoHS compliant.
- Recommended soldering temp: 235°C for 5 sec.

**ADAM TECH**

909 Rahway Avenue, Union, NJ 07083  
 Phone: 908-687-5000 Fax: 908-687-5710

TITLE: DUAL PORT D-SUB, RIGHT ANGLE,  
 FEMALE 9 PIN / FEMALE 9 PIN

UNLESS OTHERWISE SPECIFIED ALL DIMENSIONS ARE IN INCHES [MM]	
TOLERANCES: EXCEPT AS NOTED	
INCHES	HOLES
.X ± .10	ØX ± .10
.XX ± .020	ØXXX ± .015
.XXX ± .015	ØXXX ± .010
APPROVALS	DATE
DRAWN	DY
CHECKED	
APPROVED	

SIZE	PART NO.	REV.
X	DPD-09-00-C3	-
REF: S00027T	SCALE: NTS	SHEET 1 OF 1