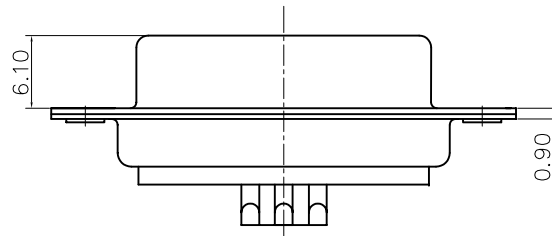
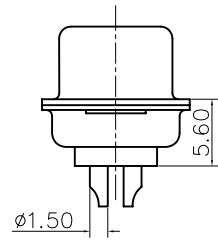
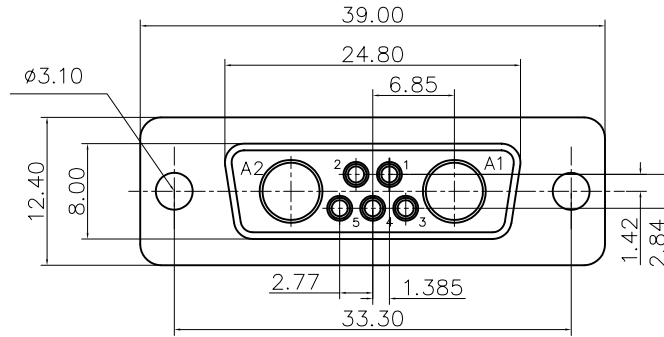


This document is the property of Amphenol Corporation and is delivered on the express condition that it is not to be disclosed, reproduced or used, in whole or in part, for manufacture or sale by anyone other than Amphenol Corporation without its prior consent, & that no right is granted to disclose or to use any information in this document.



Customer drawing

REVISIONS				
SYM	ECN	DESCRIPTION	DATE	APPROVED
1			11/05/08	

**D-SUB TECHNICAL DATA**

SHELL : Steel 2.5um(100u") min tin over 1.25um(50u") min nickel  
 BODY : Glass filled thermoplastic.  
 Flame retardant to UL94 V-0 Color Black  
 CONTACTS : Machined bronze  
 0.4um(15u") min gold over 1.25um(50u") min nickel  
 ELECTRICAL : Voltage rating : 300 V RMS at 50 Hz  
 Current rating : 7.5A  
 Withstanding Voltage >1000 V RMS at 50 Hz for one minute  
 Insulation resistance >5000 M Ohms  
 CLIMATIC : Temperature range -55 °C up to 155°C  
 Damp heat 56 days(40 °C-95% HR)  
 MARKING : Amphenol...(Series No.)  
 Commercial reference  
 Manufacturing date

**PRODUCT CODE**

L 77TW A 7W2 S

L: RoHS Compliance

77TW: tin plated shell

Shell Size: A

Contact type:  
S:Female  
P: Male

Configuration: 7W2

UNLESS OTHERWISE SPECIFIED TOLERANCES	APPROVAL		DATE
	U.S.	METRIC	
.X +/-	0.50	DRAWN	Christina.cui 10/31/07
.XX +/-	0.30	CHECKED	Lik.wang 10/31/07
.XXX +/-	0.20	CHECKED	
FRACTIONS +/-			
ANGLES +/-	5°		
FOR MATERIALS AND FINISHES SEE NOTES		DRAWING FILE :	
REMOVE SHARP EDGES		ANGLE OF PROJECTION	
DIMENSIONS			
U.S. INCHES			
METRIC MM			

Amphenol®		
TITLE Hybrid connector, TW series		
SIZE	DRAWING NO.	REV.
A4	C L77TWA7W2S	1
SCALE	NONE	SHEET 1 OF 1