

## DETAILS

<b>Product Number</b>	CN13194_LENA-WAS-DL
<b>Family</b>	Lena
<b>Type</b>	RefPack
<b>Color</b>	metal
<b>Diameter</b>	111 mm
<b>Height</b>	41,7 mm
<b>Style</b>	round
<b>Optic Material</b>	PC
<b>Holder Material</b>	
<b>Fastening</b>	screw, socket
<b>Status</b>	production ready
<b>ROHS Compliant</b>	Yes
<b>Date Updated</b>	31/10/2016



## OPTICAL PROPERTIES

LED	Viewing	Light	Effi-	cd/lm	Connector
	Angle	Beam	ciency		
V10 Gen6	Asymmetric deg	Asymmetric	83 %	0.920	-
CXAB 15xx	asymmetric deg	Asymmetric	84 %	1.140	-

D

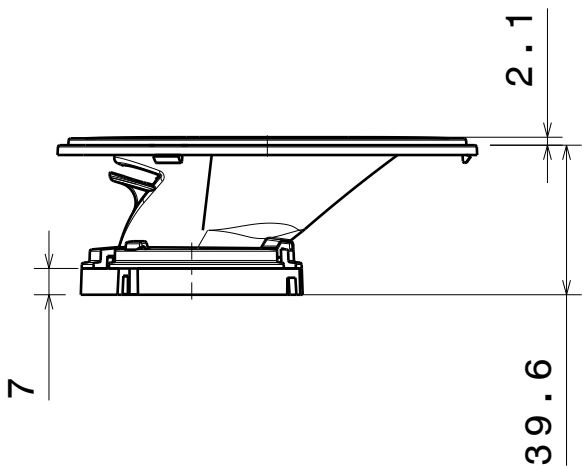
C

B

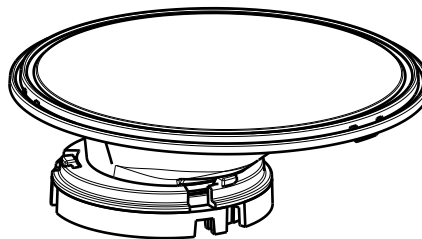
A

4

4



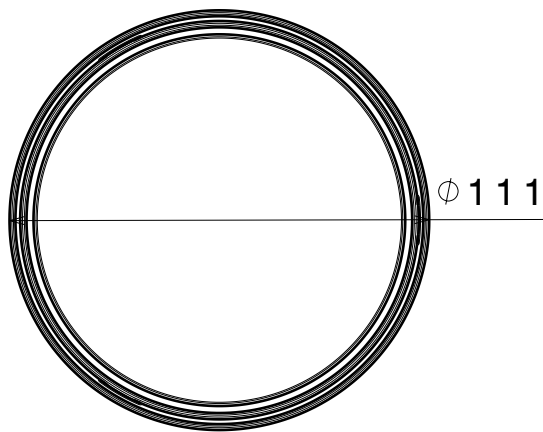
Front view



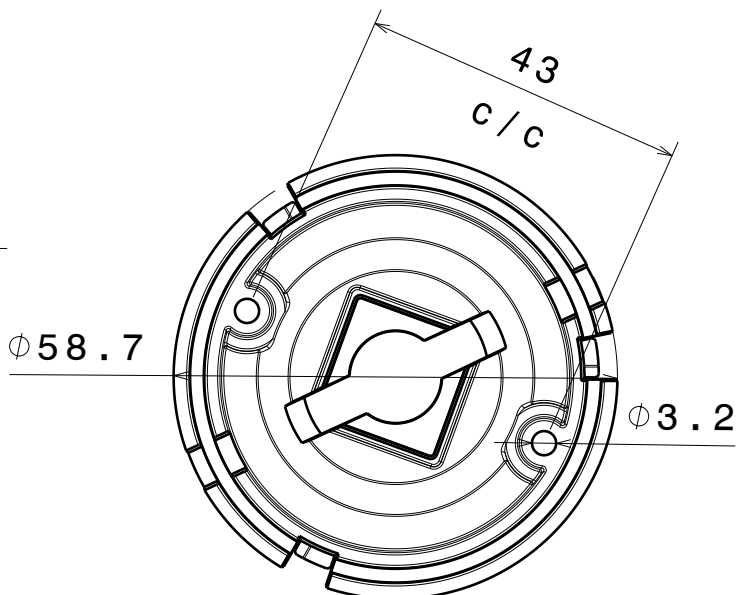
Isometric view

3

3



Top view



Materials

Reflector: PC  
 Base part: PC  
 Sublens: PC

Note: using additional sublens  
 add 2.1mm to total height

2

2

This drawing is our property.  
 It can't be reproduced  
 or communicated without  
 our written agreement.



Ledil Oy  
 Salorankatu 10  
 FIN 24240 SALO  
 Finland

DRAWING TITLE Mechanical drawing

DRAWN BY  
 as

DATE  
 17.10.2012

LENA-WAS-CXA15

CHECKED BY  
 -

DATE  
 -

SIZE  
 A4

PART NUMBER  
 -

REV  
 001

DESIGNED BY  
 as

DATE  
 -

SCALE

1:2

WEIGHT

- g

SHEET

1/1

D

A

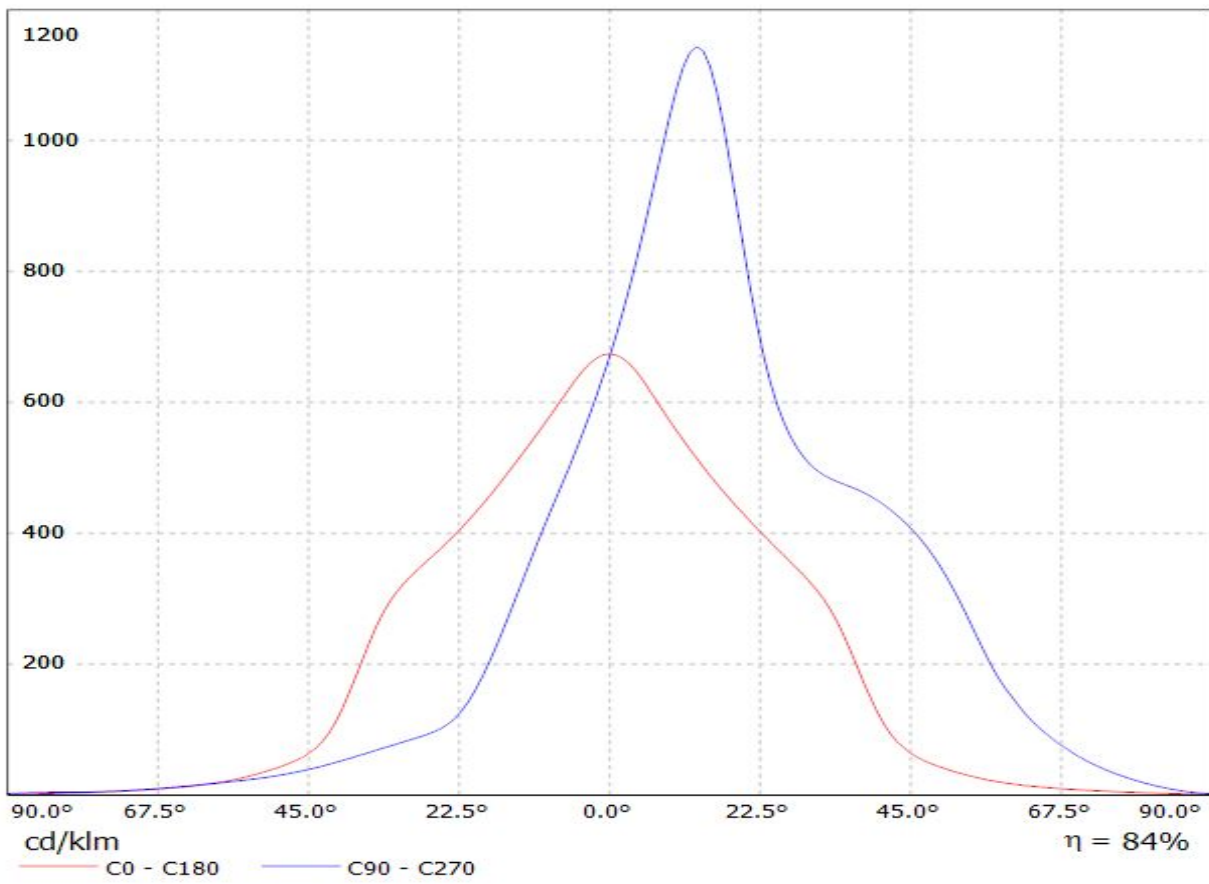
1

1



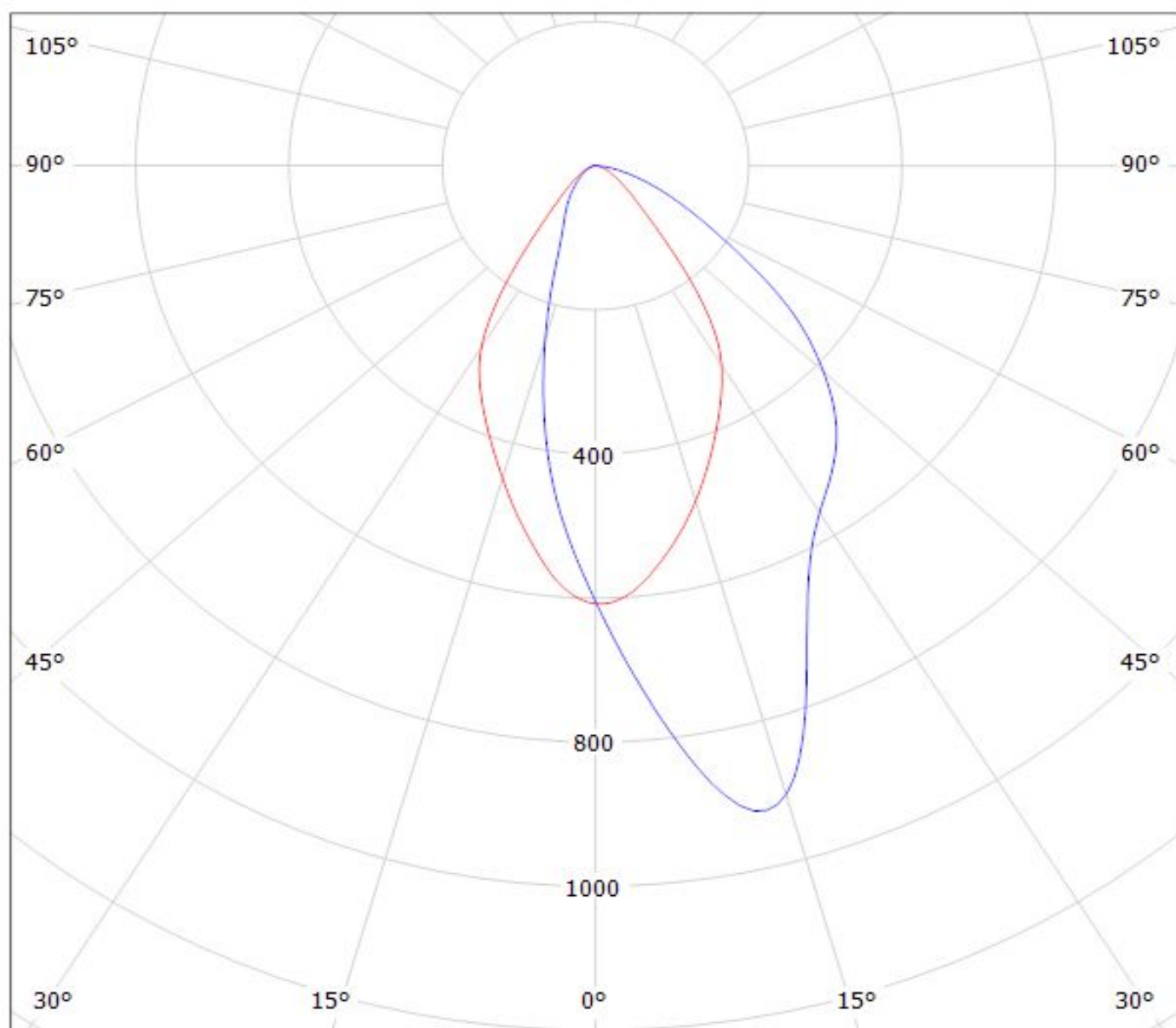
Luminaire: LEDiL Oy CN13194\_LENA-WAS-DL\_(CXA1520)

Lamps: 1 x CREE\_CXA1520\_(CXA1520-30F-N4-N0H-0001)\_972.29@250mA\_CCT=3000K\_P=8.22841W\_I=249.8mA



Luminaire: LEDiL Oy CN13194\_LENA-WAS-DL\_(V10)

Lamps: 1 x Bridgelux\_V10\_(BXRE-30E1000B-X2)\_737.685lm@250mA\_P=6.27324W\_I=249,9mA



cd/klm

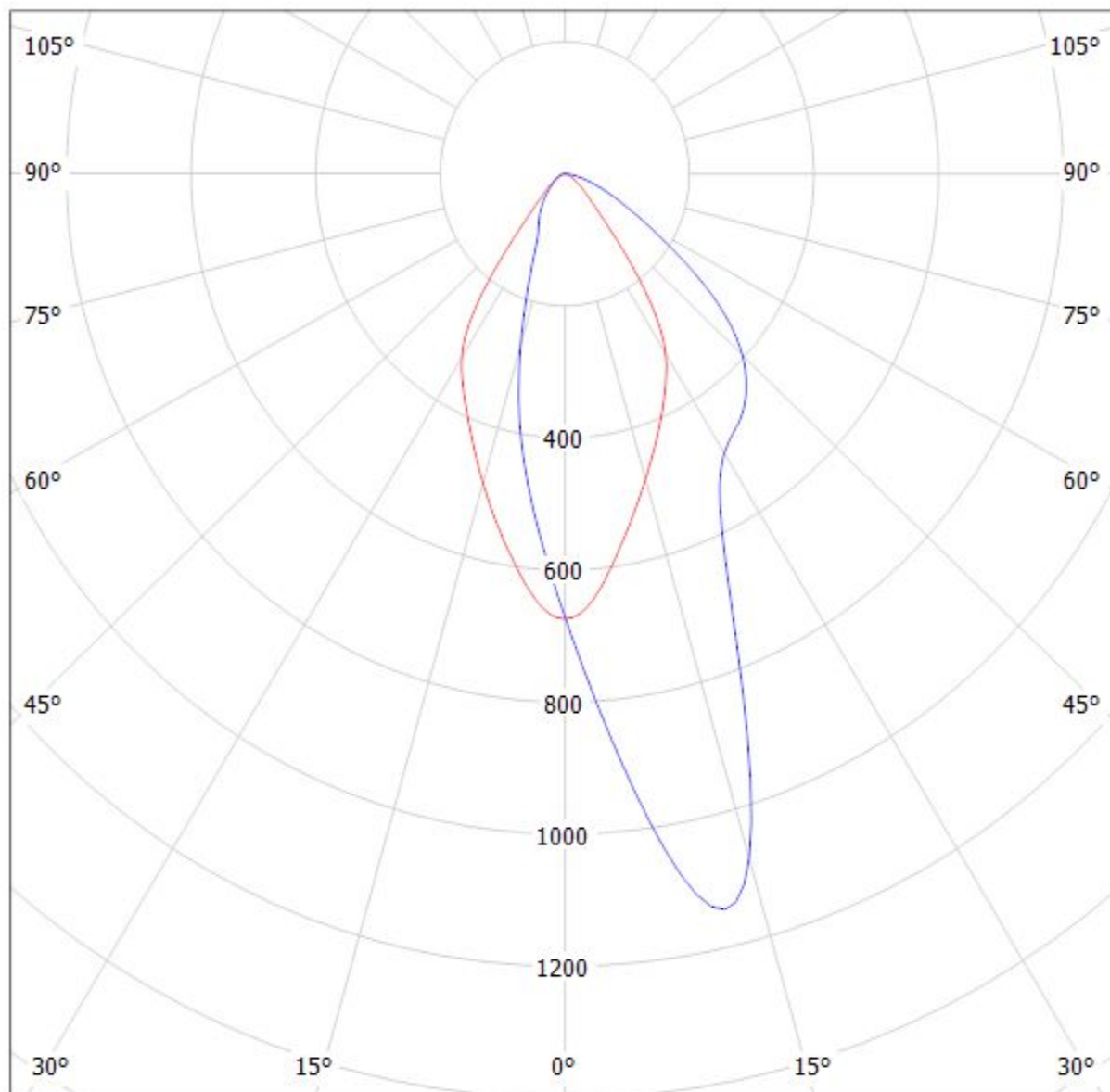
— C0 - C180

— C90 - C270

$\eta = 83\%$

Luminaire: LEDiL Oy CN13194\_LENA-WAS-DL\_(CXA1520)

Lamps: 1 x CREE\_CXA1520\_(CXA1520-30F-N4-N0H-0001)\_972.29@250mA\_CCT=3000K\_P=8.22841W\_I=249.8mA



cd/klm

— C0 - C180

— C90 - C270

$\eta = 84\%$

**NOTE: The typical divergence will be changed by different color, chip size and chip position tolerance. The typical total divergence is the full angle measured where the luminous intensity is half of the peak value.**

### **GENERAL INFORMATION**

- Product series especially designed & optimized for series of LEDs.
- Special care taken to make light distribution as uniform as possible.

Note! Due to use of high power COB's with this product, special attention to proper thermal design is highly recommended. LEDiL has no liability for direct, indirect or consecutive damages arising from the LEDiL products being used outside of the recommended temperature range.