

SMC Plug Connector Solder Attachment Thru Hole  
 PCB, .200 inch x .067 inch Hole Spacing

**TECHNICAL DATA SHEET**

**PE4367**

**SMC Plug Connector Solder Attachment Thru Hole PCB, .200 inch x .067 inch Hole Spacing**

**Configuration**

Connector	SMC Plug
Connector Interface Type	Thru Hole
Cable Attachment Method (Shield/Contact)	Solder
Body Style	Straight

**Electrical Specifications**

Impedance, Ohms	50
-----------------	----

**Mechanical Specifications**

**Size**

Length, in [mm]	0.43 [10.92]
Width/Dia., in [mm]	0.25 [6.35]
Weight, lbs [g]	0.055 [24.95]

**Connector**

Type	SMC Plug
Contact Material and Plating	Gold
Coupling Nut Material and Plating	Brass, Gold
Hex Size, in.	1/4
Torque, in-lbs [Nm]	3 [0.34]
Body Material and Plating	Brass, Gold
Dielectric Type	PTFE

**Compliance Certifications** (visit [www.Pasternack.com](http://www.Pasternack.com) for current document)

**Plotted and Other Data**

Notes: Values at 25 °C, sea level

SMC Plug Connector Solder Attachment Thru Hole PCB, .200 inch x .067 inch Hole Spacing from Pasternack Enterprises has same day shipment for domestic and International orders. Our RF, microwave and fiber optic products maintain a 99% availability and are part of the broadest selection in the industry.

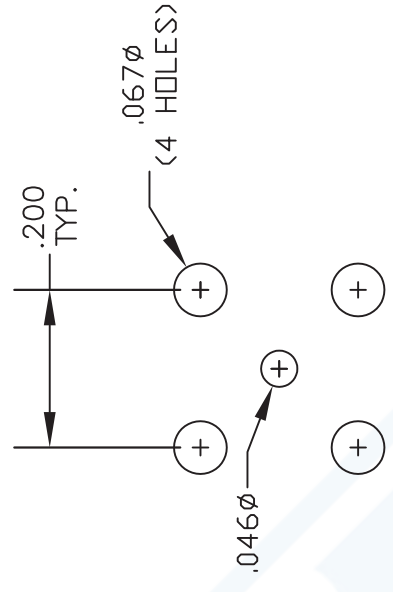
Click the following link (or enter part number in "SEARCH" on website) to obtain additional part information including price, inventory and certifications: [SMC Plug Connector Solder Attachment Thru Hole PCB, .200 inch x .067 inch Hole Spacing PE4367](http://www.pasternack.com/smc-plug-standard-thru-hole-pcb-connector-pe4367-p.aspx)

URL: <http://www.pasternack.com/smc-plug-standard-thru-hole-pcb-connector-pe4367-p.aspx>

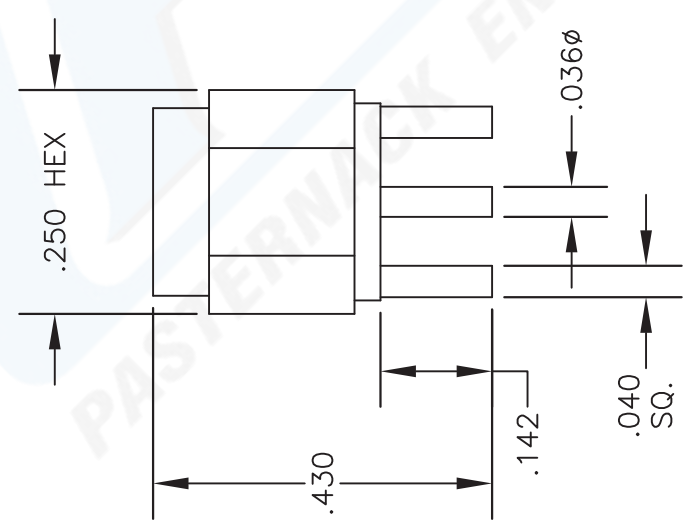
The information contained in this document is accurate to the best of our knowledge and representative of the part described herein. It may be necessary to make modifications to the part and/or the documentation of the part, in order to implement improvements. Pasternack reserves the right to make such changes as required. Unless otherwise stated, all specifications are nominal.



<b>MATERIALS</b>	
BODY	BRASS GOLD PLATED
CONTACT	GOLD PLATED
INSULATOR	PTFE



MOUNTING HOLES



**PASTERNAK ENTERPRISES, INC.**  
 P.O. BOX 16759, IRVINE, CA 92623  
 PHONE (949) 261-1920 FAX (949) 261-7451  
 WEB ADDRESS: www.pasternack.com  
 E-MAIL ADDRESS: sales@pasternack.com  
**COAXIAL & FIBER OPTICS**

DWG TITLE		DES. SMC PLUG, PRINTED CIRCUIT MOUNT	
<b>PE4367</b>			
SIZE A	FSCM NO. 53919	CAD FILE	050902
		SCALE	N/A
			127

NOTES:

1. UNLESS OTHERWISE SPECIFIED ALL DIMENSIONS ARE NOMINAL.
2. ALL SPECIFICATIONS ARE SUBJECT TO CHANGE WITHOUT NOTICE AT ANY TIME.