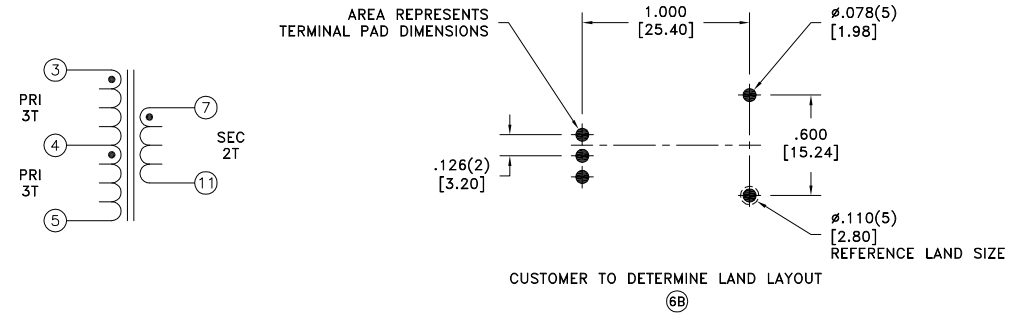
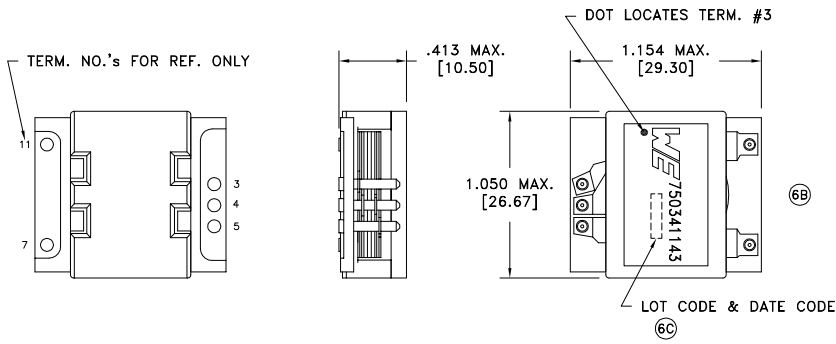


CUSTOMER TERMINAL	RoHS	LEAD(Pb)-FREE
Sn100%	Yes	Yes

more than you expect



ELECTRICAL SPECIFICATIONS @ 25°C unless otherwise noted:

PARAMETER	TEST CONDITIONS	VALUE
D.C. RESISTANCE	3-4 @20°C	3.0 mOhms max.
D.C. RESISTANCE	4-5 @20°C	3.0 mOhms max.
D.C. RESISTANCE	7-11 @20°C	1.2 mOhms max.
INDUCTANCE	3-5 100kHz, 100mVAC, Ls	170.0uH min.
LEAKAGE INDUCTANCE	3-5 tie(7+11), 100kHz, 100mVAC, Ls	250nH max.
DIELECTRIC	3-7 500VDC, 1 second	-
URNS RATIO	(3-4):(7-11)	1.5:1, ±1%
URNS RATIO	(4-5):(7-11)	1.5:1, ±1%

GENERAL SPECIFICATIONS:

OPERATING TEMPERATURE RANGE: -40°C to +125°C including temp rise.

REV.	DATE	Packaging Specifications	CONVENTION PLACEMENT
6D	4/13	Method: Tape & Reel	
6C	11/12	PKG-0793	
6B	4/12	www.we-online.com/midcom	
6A	10/11	SEE REVISION SHEET FOR REVISION LEVEL	

Tolerances unless otherwise specified:  
 Angles: ±1°      Decimals: ±.005 [.13]  
 Fractions: ±1/64      Footprint: ±.005 [.13]

This drawing is dual dimensioned. Dimensions in brackets are in millimeters.

DRAWING TITLE  
**TRANSFORMER**

eiSos p/n: 750341143

PART NO.  
**750341143**

compliant RoHS  
 SPECIFICATION SHEET 1 OF 1