

Indicator



PSE M30 AE RI Indicator



PSE M30 AE AI Indicator



PSE M30 AE RI Multicolor Indicator



**Description**

- The indicators are available with Lettering, Point Illumination Ring Illumination or Area Illumination
- Multicolor: flexible input voltage from 5 - 28 VDC at constant brightness
- with color combination RGB and RGY
- 7 possible color combinations with RGB configuration
- Can be combined with the available piezo switch variants
- Pins, Wire, Crimp Terminal male or Cable with Faston

**Unique Selling Proposition**

- Variety of design options regarding size, colour, material and connections
- High reliability, long lifetime
- With multicolor ring illumination

**Characteristics**

- For use in harsh environments, both indoors and outdoors

**References**

Alternative: switch normal operation: [PSE NO 30](#)

**Weblinks**

[html-datasheet](#), [General Product Information](#), [CE declaration of conformity](#), [RoHS](#), [CHINA-RoHS](#), [e-Shop](#), [CAD-Drawings](#), [Product News](#), [Detailed request for product](#)

**Technical Data**

**Electrical Data**

ESD-protection-class	8 kV Class 3B
Supply Voltage	Point Illumination without series resistor
Supply Voltage Multicolor	5 - 28 VDC

**Mechanical Data**

Tightening Torque	2.5 Nm
Shock Protection	IK 08, IK 02

**Climatical Data**

Operating Temperature	min. -40 to +85 °C
Storage Temperature	min. -40 to +85 °C
IP-Protection	IP 67 , Front Side submerged (1m water column), front side / rear side DIN EN 60068-2-30 Db (Moist heat - air test with 55°C / 93% humidity)
Salt Spray Test (acc. to DIN 50021-SS)	24 h / 48 h / 96 h Residence Time

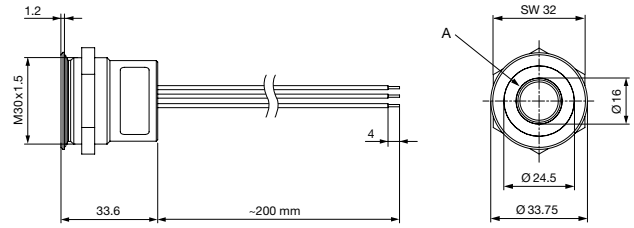
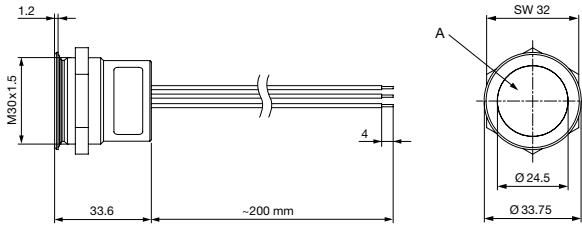
**Material**

Housing	Aluminium anodized
Gasket	NBR70
Nut	Steel galvanized

**Dimension**

PSE AE M30 Area Illumination

PSE AE M30 Ring Illumination

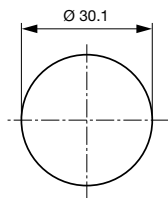


A = Illumination Area

A = Illumination Area

**Dimension**

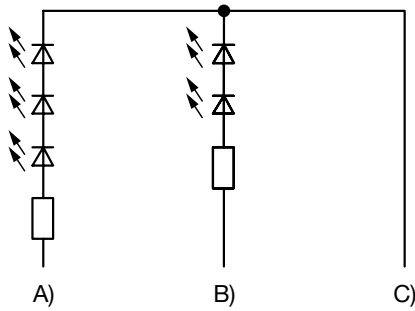
PSE M30



Drilling diagram

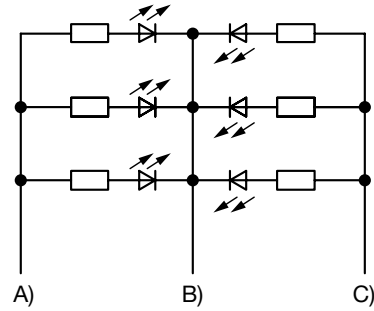
Diagrams

Ring and Area Illumination 12/24 VDC



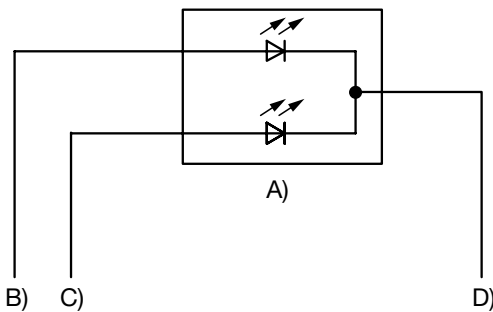
- A) Cable 1 (color of the LEDs), Supply voltage first LED group
- B) Cable 3 (color of the LEDs), Supply voltage second LED group
- C) Cable 2 (black), Common mass of both LED groups

Ring and Area Illumination 5 VDC



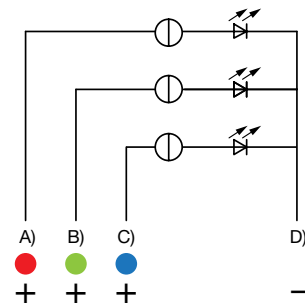
- A) Cable 1 (color of the LEDs), Supply voltage first LED group
- B) Cable 2 (black), Common mass of both LED groups
- C) Cable 3 (color of the LEDs), Supply voltage second LED group

PSE AE PI



- A) Double-LED (2 colors, 3 pins) or simple LED (2 pins)
- B) Cable 1 (color 1 of the LED), Supply voltage
- C) Cable 2 (color 2 of the LED), Supply voltage
- D) Cable 3 (black), Mass

PSE AE Multicolor



- A) Cable 1 (color of the LED), Supply voltage
- B) Cable 2 (color of the LED), Supply voltage
- C) Cable 3 (color of the LED), Supply voltage
- D) Cable 4 (black), Common mass

Lighting options Multicolor

Lighting type	Active terminal A) ●	Active terminal B) ●	Active terminal C) ●	Resulting Color
Multicolor Singlecolor	A			Red ●
Multicolor Singlecolor		B		Green ●
Multicolor Singlecolor			C	Blue ●
Multicolor RGB Additive 2	A	B		Yellow ●
Multicolor RGB Additive 2	A		C	Magenta ●
Multicolor RGB Additive 2		B	C	Cyan ●
Multicolor RGB Additive 3	A	B	C	White ○

## All Variants

Mounting Diameter [mm]	Terminal	Housing Material, Torsion Protection	Colour of Housing	Surface Finish	Shock Protection	Illumination, LED	Config. Code	Order Number
30	Flexible wire connection	Aluminium anodized ,no	red	F	IK 02	Ring Illumination, red, 24	PSE M 30 AE RI	1241.3017
30	Flexible wire connection	Aluminium anodized ,no	nature	E	IK 02	Backlighted, red / green, 24	PSE M 30 AE RI	1241.3532
30	Flexible wire connection	Aluminium anodized ,no	nature	F	IK 02	Ring Illumination, red / green, 5	PSE M 30 AE RI	1241.3196
30	Flexible wire connection	Aluminium anodized ,no	nature	E	IK 02	Ring Illumination, red / green / blue, 5 - 28	PSE M 30 AE AI	1241.3671
30	Flexible wire connection	Aluminium anodized ,no	nature	E	IK 02	Ring Illumination, red / green / yellow, 5 - 28	PSE M 30 AE RI	1241.3672

Legende:

Type: PSE

AE = Indicator

RU = PI = Point Illumination

RI = Ring Illumination

AI = Area Illumination

Alu = Aluminium

ES = Stainless steel

F = Finger guidance

E = without finger guidance

Plastic nut with gasket are enclosed in the box.

Other mounting diameters, materials, colors, connections, supply voltages possible available on request.

Special materials e.g. Marine grade stainless steel for use in salt and chlorinated environment on request.

Availability for all products can be searched real-time:<http://www.schurter.com/en/Stock-Check/Stock-Check-SCHURTER>

**Packaging unit** 10 pcs. PSE M16 AE / PSE M30 AE 20 pcs.



- Indicator elements in ESD safe packaging
- Screw nuts and sealing rings in a bag (enclosed in the box)