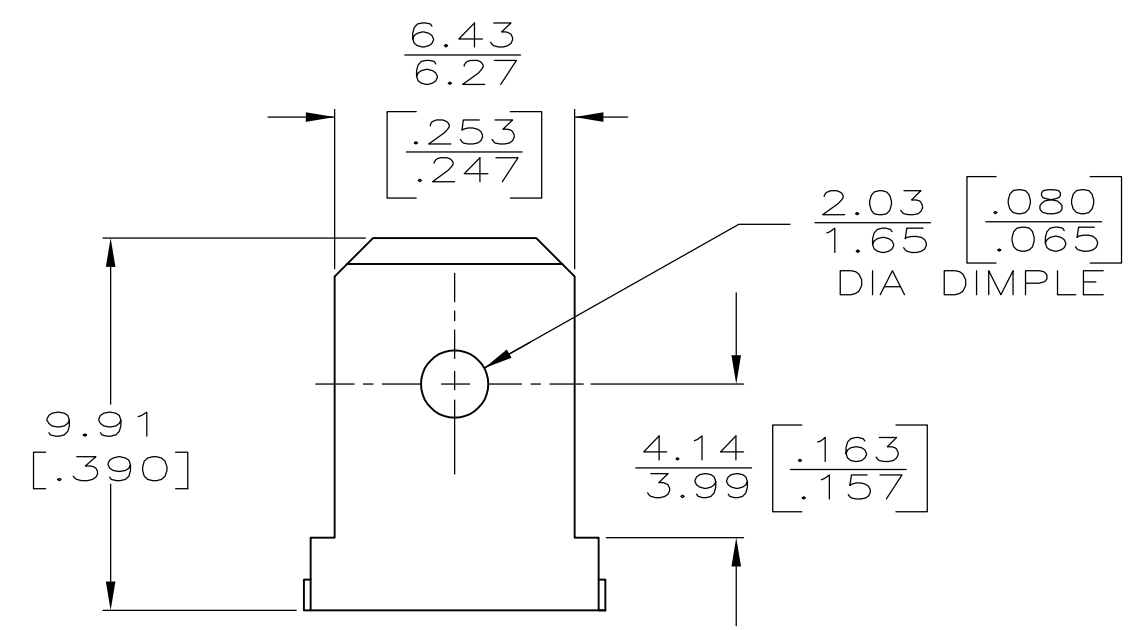
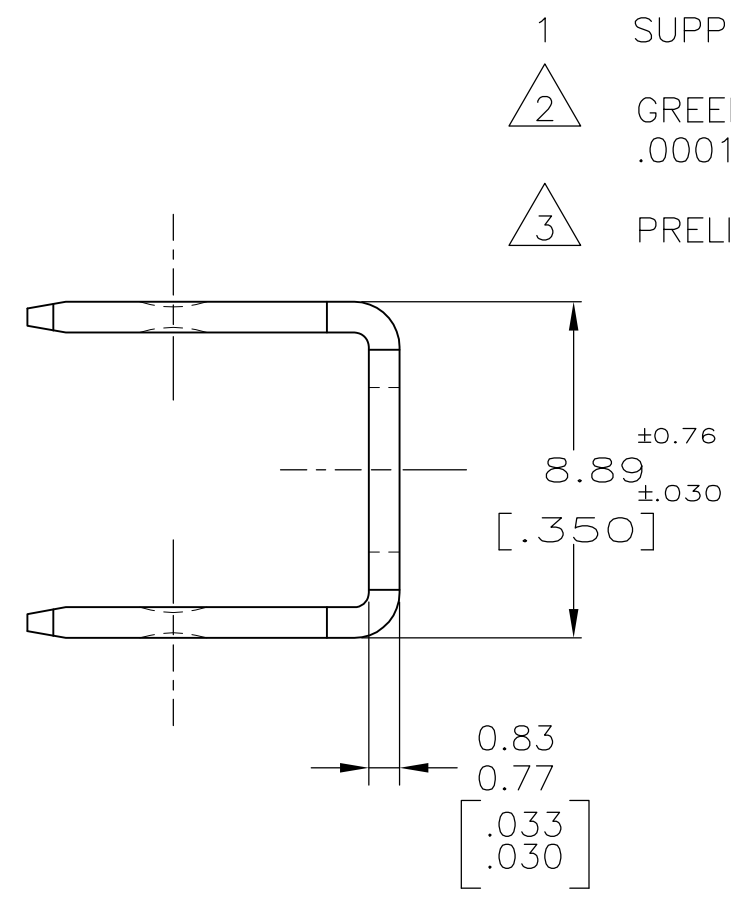
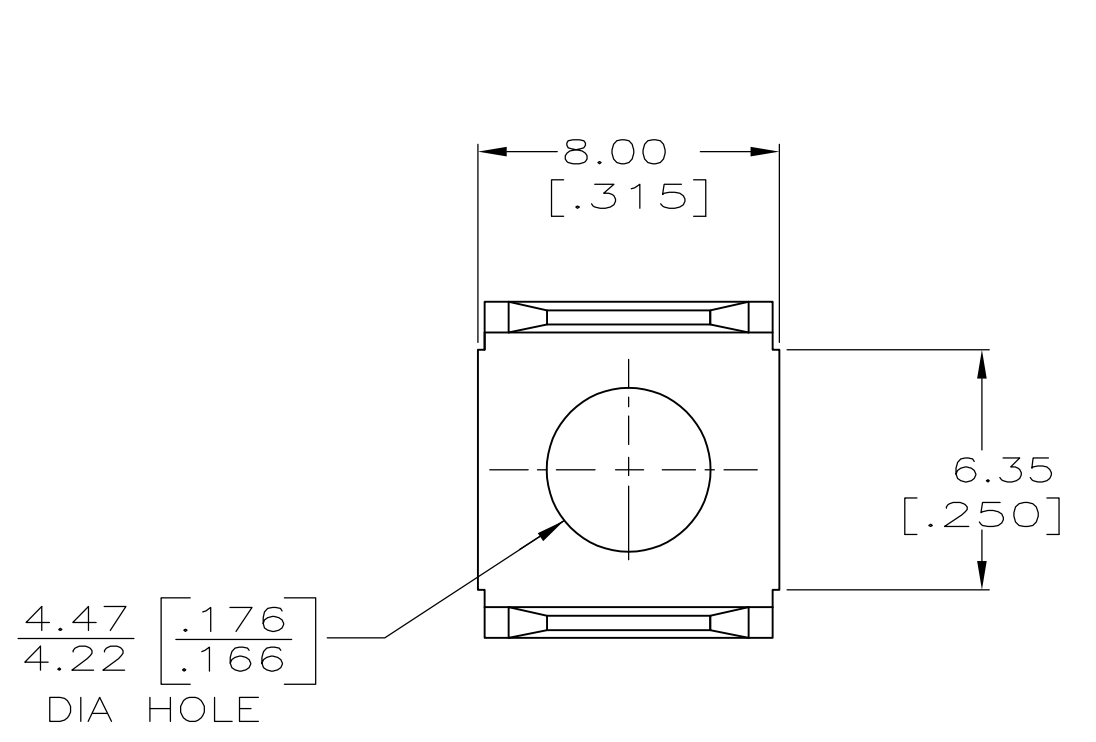


THIS DRAWING IS UNPUBLISHED. RELEASED FOR PUBLICATION  
 © COPYRIGHT - By - ALL RIGHTS RESERVED.

LOC	DIST	REVISIONS			
P	LTR	DESCRIPTION	DATE	DWN	APVD
AF	50				
		REVISD PER ECR-13-011489	07DEC2013	KH	PD



- 1 SUPPLIED IN LOOSE PIECE.
- 2 GREEN DYE OVER ZINC  
.000100 MIN PLATING.
- 3 PRELIMINARY - NOT FOR PRODUCTION.

2	3	41619-3
-		41619
FINISH		PART NO

THIS DRAWING IS A CONTROLLED DOCUMENT.		DWN	JR RUTH	12/2/91	TE Connectivity NAME TAB, FASTON, 6.35 [.250] SERIES								
DIMENSIONS: mm [INCHES]		CHK	MS FEHER	12/2/91									
TOLERANCES UNLESS OTHERWISE SPECIFIED:		APVD	MEYERS	12/2/91									
0 PLC ± - 1 PLC ± - 2 PLC ± - 3 PLC ± 0.38 [.015] 4 PLC ± - ANGLES ± -		PRODUCT SPEC	-	APPLICATION SPEC				-					
MATERIAL	BRASS	FINISH	SEE TABLE	WEIGHT	-	SIZE	A3	CAGE CODE	00779	DRAWING NO	C-41619	RESTRICTED TO	-
CUSTOMER DRAWING						SCALE	5:1	SHEET	1 OF 1	REV	AH		