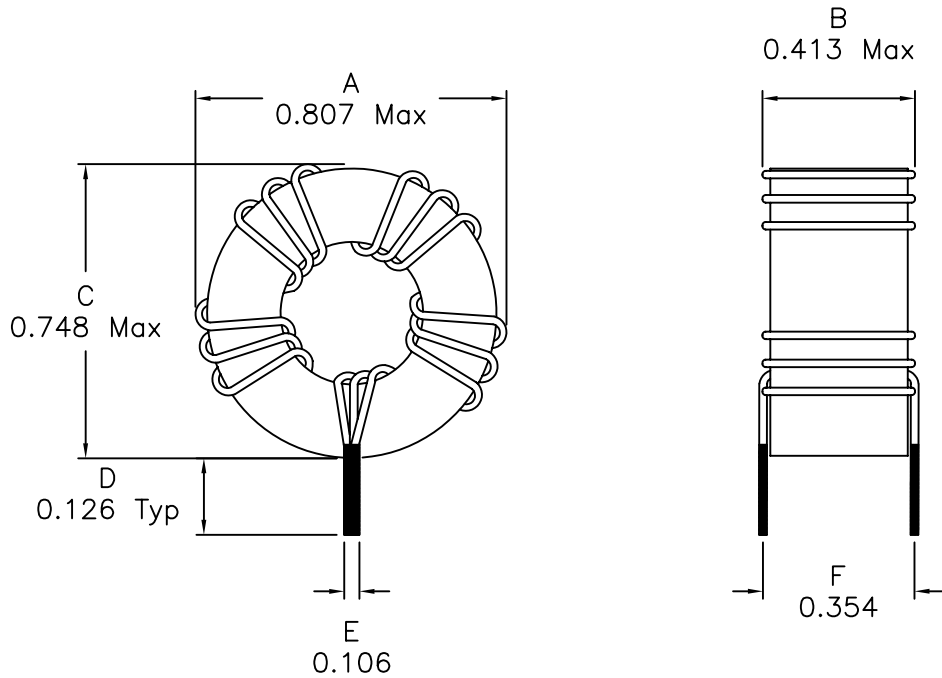
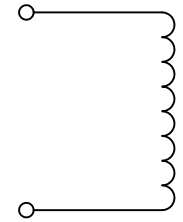


1. Mechanical Dimensions:



2. Schematic:



3. Electrical Specifications: @25°C

- OCL: 0.86uH±20% @10KHz 0.1V, 0Adc
- OCL: 0.49uH Typ @10KHz 0.1V, 48Adc
- DCR: 0.85 mOhms Max

Notes:

1. Solderability: Leads shall meet MIL-STD-202, Method 208D for solderability.
2. Flammability: UL94V-0
3. ASTM oxygen index: > 28%
4. Insulation System: Class F 155°C. UL file E151556
5. Operating Temperature Range: All listed parameters are to be within tolerance from -40°C to +85°C
6. Storage Temperature Range: -55°C to +125°C
7. Aqueous wash compatible
8. Electrical and mechanical specifications 100% tested
9. RoHS Compliant Component

DOC REV: A/1

XFMRs Inc www.XFMRs.com	Title: TOROIDAL INDUCTOR		
	UNLESS OTHERWISE SPECIFIED	P/N: XF4909-V018	REV. A
TOLERANCES: .xxx ±0.010	DWN.	刘鹏	Jul-21-05
Dimensions in INCH	CHK.	李小锋	Jul-21-05
SHEET 1 OF 1	APP.	Isaiah M	Jul-21-05