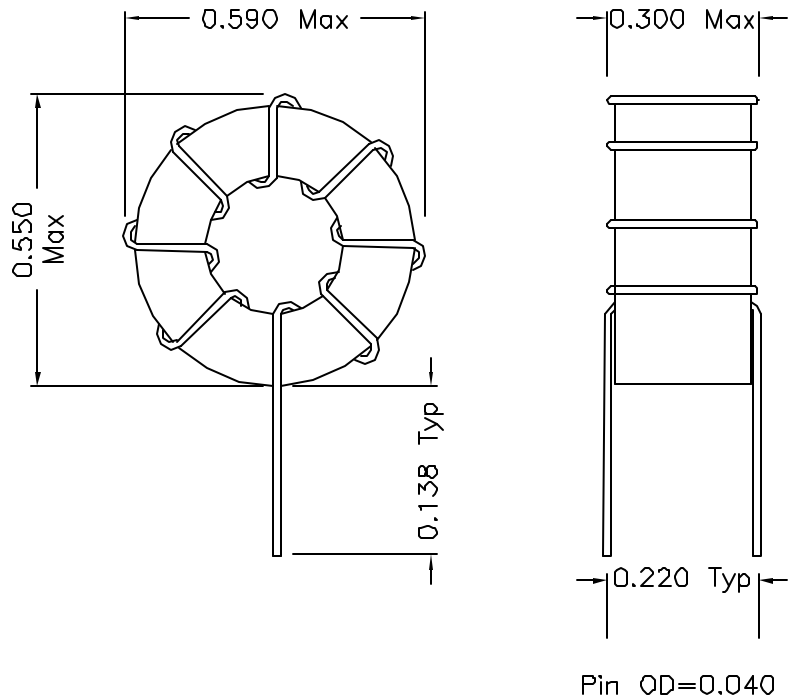


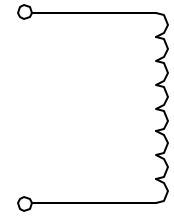
1. Mechanical Dimensions:



NOTE:

STRIP AND TIN TO MOUNT PLAIN
VARNISH REQUIRED
NO MARKINGS REQUIRED

2. Schematic:



3. Electrical Specifications: @25°C

OCL: 4.00uH ±15% 10KHz 1.0V

Irated: 10Adc (Based on 40°C Temp Rise)

DC Resistance: 0.0102 Ohms Max

Notes:

1. Solderability: Leads shall meet MIL-STD-202G, Method 208H for solderability.
2. Flammability: UL94V-0
3. ASTM oxygen Index: > 28%
4. Insulation System: Class F 155°C. UL file E151556
5. Operating Temperature Range: All listed parameters are to be within tolerance from -40°C to +85°C
6. Storage Temperature Range: -55°C to +125°C
7. Aqueous wash compatible
8. Electrical and mechanical specifications 100% tested
9. RoHS Compliant Component

XFMRs Inc www.XFMRs.com	Title: TOROIDAL INDUCTOR		
	UNLESS OTHERWISE SPECIFIED TOLERANCES: .xxx ±0.10 Dimensions in INCH		P/N: XF0046-V04
SHEET 1 OF 1	DWN.	EC	Nov-15-06
	CHK.	AEI	Nov-15-06
	APP.	MS	Nov-15-06

Doc Rev A/2