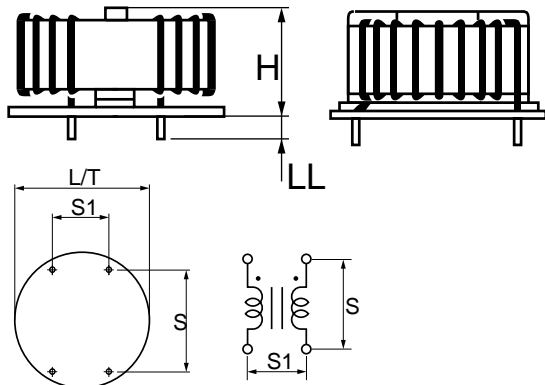


KEMET Part Number: SC-15-20JH
(UALSC1520JH000)

Choke, SC-JH, 2000 uH



Dimensions

L	51mm MAX
T	51mm MAX
H	34mm MAX
S	30mm MAX
S1	26mm NOM
LL	5mm +/-2mm
Wire Size	1.8mm

Packaging Specifications

Weight:	115 g
----------------	-------

General Information

Style:	Through-Hole Toroid
Series:	SC-JH
Description:	Common Mode Filter With Base Plate
RoHS:	Yes
Miscellaneous:	Inductance Measurement Condition: 100kHz 1mA KC547
Notes:	Lead Spacing (S/S1) Are For Reference Only.

Specifications

Inductance:	2000 uH
Rated Temperature:	105C
Current:	15 Amps
Voltage AC:	250 VAC
DC Resistance:	12 mOhms
Insulation Resistance:	100 MOhms