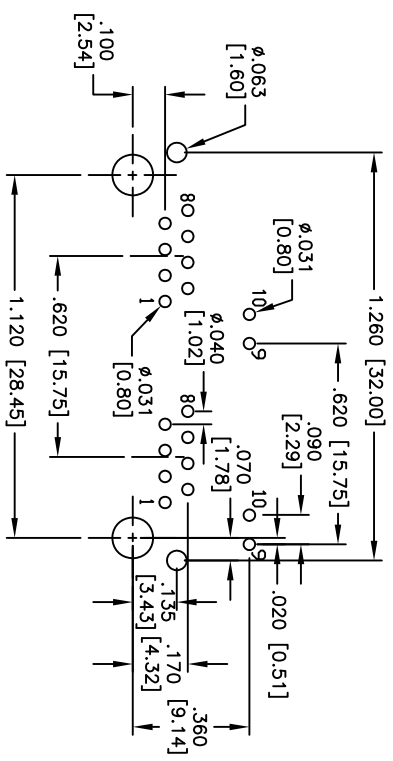
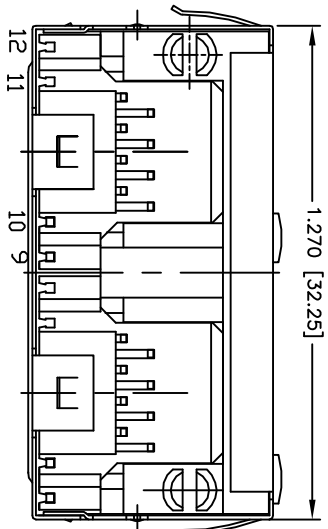
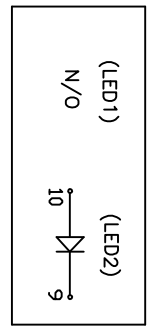
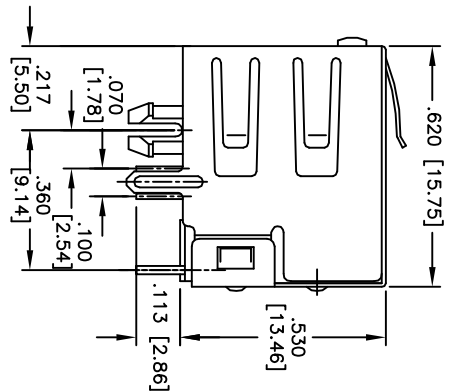
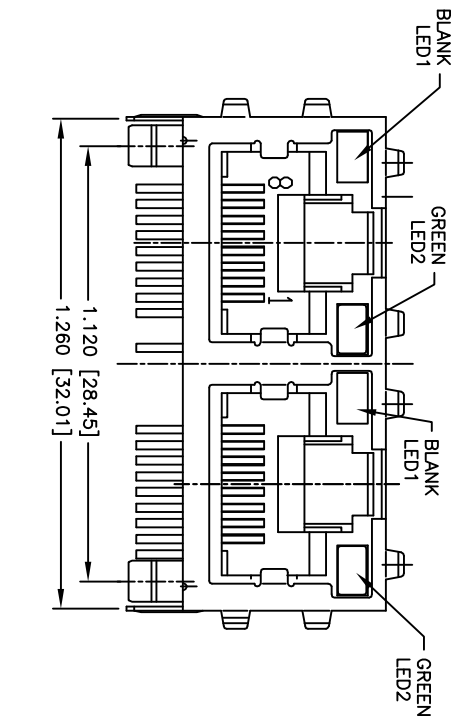


Rev	AWO #	Description	Date	Appr
-		RELEASED	9/25/09	

APPROVED: _____
 DATE: _____ TITLE: _____



RECOMMENDED PCB LAYOUT

SPECIFICATIONS:

Material: PBT, glass reinforced, rated UL 94V-0
 Insulator color: Black
 Contacts: Phosphor Bronze
 Contact Plating:
 Gold Flash over Nickel underplate on contact area,
 Tin over Copper underplate on tails. (See chart for thickness)
 Electrical:
 Operating voltage: 125 VAC max
 Current rating: 1.5 Amps max
 Contact Resistance: 45 mohms max, initial
 Insulation resistance: 1000 Mohms min @ 500 VDC
 Dielectric withstanding voltage: 1000 VAC for 1 min
 Temperature Rating:
 Operating temperature: -40°C to +125°C
 Environmental:
 Lead free, RoHS Compliant
 Recommended soldering temp: 235°C for 5 seconds

X	PLATING
0	15 µin Gold
1	30 µin Gold
2	50 µin Gold

A



UNLESS OTHERWISE SPECIFIED
 ALL DIMENSIONS ARE IN INCHES [MM]
 TOLERANCES: EXCEPT AS NOTED
 INCHES Holes
 .X ± .10 ØX ± .10
 .XX ± .020 ØXX ± .015
 .XXX ± .015 ØXXX ± .010
 APPROVALS DATE

ADAM TECH
 909 Rahway Avenue, Union, NJ 07083
 Phone: 908-687-5000 Fax: 908-687-5710
 MODULAR TELEPHONE JACK, GANGED
 8P8C, W/LED1 BLANK, LED2 GREEN

DRAWN	DY	9/25/09
CHECKED		
APPROVED		

SIZE	PART NO.	REV.
X	MTJG-2-88APX1-FSM-PG-LF	-
REF:	S00005C	SCALE: NTS
		SHEET 1 OF 1

A

B

C

D

6

5

4

3

2

1

6

5

4

3

2

1