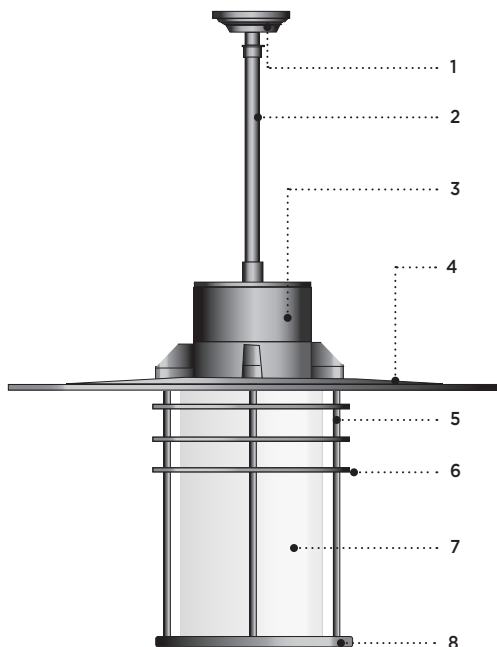


TYPE: \_\_\_\_\_ QUANTITY: \_\_\_\_\_ PROJECT: \_\_\_\_\_

CATALOG NUMBER:

FIXTURE    WATTAGE    VOLTAGE    FINISH    OPTION    OPTION    OPTION    OPTION



- 1- Standard heavy duty 45° hang straight swivel, with 5" diameter (127) canopy and universal mounting plate.
- 2- 7/8" diameter (22) X36" long (900). Precut factory stems are available on request. (Specify STM with desired length)
- 3- LED driver housing.
- 4- One piece .090" (2.3) thick hard aluminum top shade. Underside surface is painted white enamel to optimize light performance (EC643 only).
- 5- Set of 4x 1/2" (13) solid aluminum struts.
- 6- Set of three aluminum louvers.
- 7- High impact white translucent UV stabilized acrylic diffuser.
- 8- Heavy cast aluminum cover with integral LED heat dissipating pad.

EC642



EC643



### MATERIALS

Eclipse Mini is made of corrosion resistant 356 aluminum alloy with a copper (CU) content of less than 0.1%.

Cast aluminum heat sink to optimize heat management and luminaire efficacy.

LED platform is mechanically secured and easily removable for maintenance or upgrade.

**EC642:** Standard luminaire for general illumination without shade. Includes set of three aluminum louvers.

**EC643:** Includes a .090" thick hard aluminum shade. Underside surface is painted white enamel to optimize light performance. Set of three aluminum louvers.

### ELECTRICAL

#### LED

**DRIVER** Standard driver is 0-10V dimming-ready (dims to 10%) with: 120-277 multi-volt compatibility (50-60Hz), optional 347V on request, minimum operating temperature of -30°C/-22°F, output over voltage protection, output over current protection, output short circuit protection with auto-recovery, and over temperature protection (110°C).

**LED** Standard 4000K/80CRI. Optional 2700K, 3000K and 3500K. Removable modular LED platform.

#### LIFE

60,000hrs  $L_{86}B_{50}$  (based on IESNA TM-21 Test Method and LM-80 data).  
139,000hrs  $L_{70}B_{30}$  (calculated projection from LM-80 data).

#### FINISH

Five-stage preparation process includes preheating of cast aluminum parts for air extraction. Polyester powder coating is applied through an electrostatic process, and oven cured for long term finish.

### MOUNTING

Maximum weight: 8.07lbs (3.66kg)

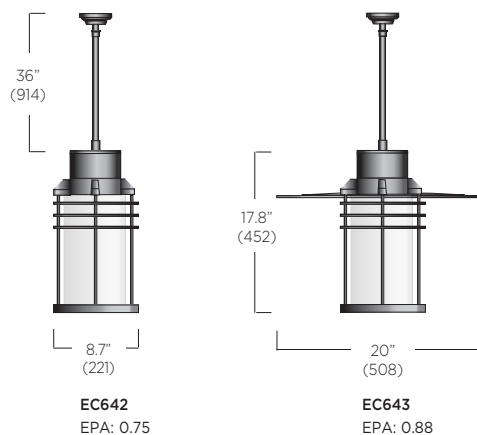
Mounts on a standard 4" (102) octagonal electrical box with 3 1/2" (89) C/C mounting holes. On site conditions may require separate mounting (by others).

### CERTIFICATION

Tested to UL1598 and CSA 22.2 #250. ETL listed damp location.

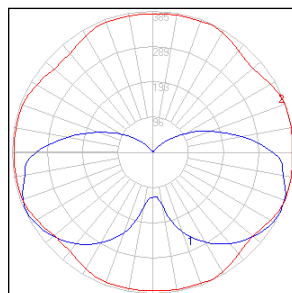
Photometric testing performed by an independent laboratory in accordance with IES LM-79-08 standards at 25°C. Lumen depreciation in accordance with IESNA LM80 standards. CE certification on request.

Rated IP44.



# EC642/EC643 SERIES ECLIPSE MINI - LED

## TYPICAL PHOTOMETRY SUMMARY





### Descriptive Information

EC642/EC643-L1W48r0  
 Total Lms: 2812 Lumens  
 Total Input Watts: 49.6 W  
 Source: LED  
 Efficacy: 56.7 Lumens/Watt  
 BUG: B1-U3-G2  
 CCT/CRI: 4000K/80  
 Maximum Candela: 385 @ 65°V

Please visit our web site [www.luminis.com](http://www.luminis.com) for complete I.E.S. formatted download data.

## LUMINAIRE SELECTION

MODEL#	LED LIGHT SELECTION (4000K/80CRI)			VOLTAGE <sup>1</sup>	FINISH
 <input type="checkbox"/> EC642   <input type="checkbox"/> EC643	<b>SUFFIX</b> <input type="checkbox"/> L1W18r1 <input type="checkbox"/> L1W30r1 <input type="checkbox"/> L1W48r0	<b>INPUT WATTS</b> 19W 34W 50W	<b>DELIVERED LUMENS</b> 1160 2006 2812	<input type="checkbox"/> 120V <input type="checkbox"/> 277V  Optional <input type="checkbox"/> 347V	<b>STANDARD COLORS</b> <input type="checkbox"/> WHT Snow white <input type="checkbox"/> BKT Jet black <input type="checkbox"/> BZT Bronze <input type="checkbox"/> MST Matte silver <input type="checkbox"/> GRT Titanium gray <input type="checkbox"/> DGT Gun metal <input type="checkbox"/> CHT Champagne  <b>OPTIONAL COLORS</b> <input type="checkbox"/> CS Custom color <input type="checkbox"/> RAL RAL# color  (Refer to color chart)

## OPTIONS

### ELECTRICAL

- REML2-50** Remote mount battery backup for LED. 90 min, 7W. Remote mount to 50ft. 12" square enclosure with access cover.
- FS** Fuse
- PH** Photocell
- DLO** Luminous opening for downlight
- 347L** 347V input power driver

### LIGHT

Alternate CCT °K LED (LCF: Lumen conversion factor)

- K27** 2700K CCT 80 CRI (LCF: 0.91)
- K3** 3000K CCT 80 CRI (LCF: 0.94)
- K35** 3500K CCT 80 CRI (LCF: 0.98)

NOTE: Other CCT & higher CRI available, please consult factory.

### MOUNTING

- CAT2** Catenary suspension attachment
- STC** Safety cable
- STM** Longer hang straight stem. Please add length with option suffix.
- SPG** Silver braided power cord with adjustable suspension cable. 36" in length (other lengths available, please specify).
- SSC** Stabilizer cables
- WET** Modification for wet location

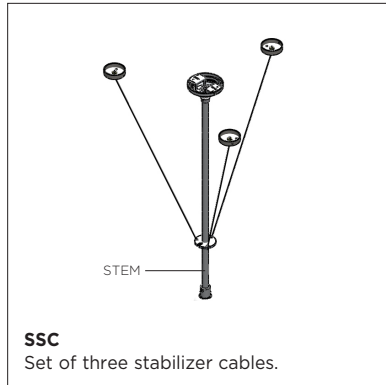
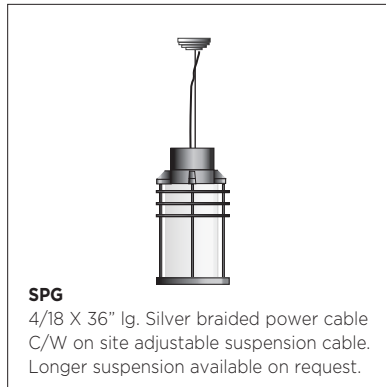
### NOTES

1- If no voltage is specified, luminaires are factory prewired by default for 120V. For other voltages, please specify with catalog number, or consult factory.

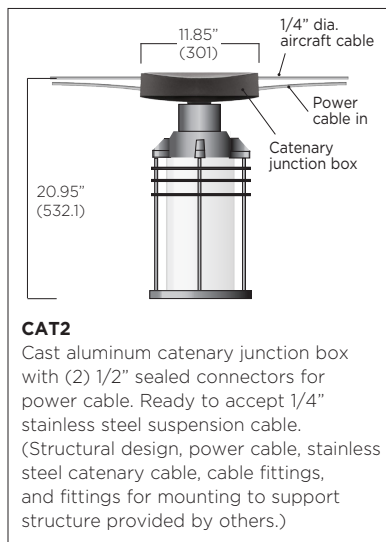


## OPTIONS

### MOUNTING



### CATENARY SUSPENSION



### ELECTRICAL

