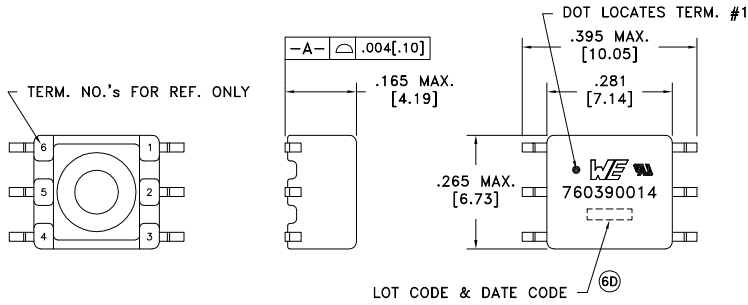


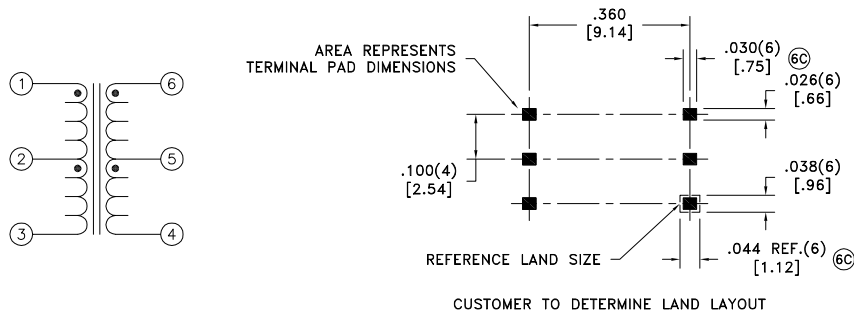
CUSTOMER TERMINAL	RoHS	LEAD(Pb)-FREE
Sn96%, Ag4%	Yes	Yes

more than you expect



ELECTRICAL SPECIFICATIONS @ 25°C unless otherwise noted:

PARAMETER	TEST CONDITIONS	VALUE
D.C. RESISTANCE	1-3 @20°C	0.31 ohms max.
D.C. RESISTANCE	6-4 @20°C	0.37 ohms max.
INDUCTANCE	1-3 10kHz, 100mVAC, Ls	475uH min.
DIELECTRIC	1-6 3125VAC, 1 second	2500VAC, 1 minute
TURNS RATIO	(6-4):(1-3)	1.3:1, ±2%



GENERAL SPECIFICATIONS:

6B OPERATING TEMPERATURE RANGE: -40°C to +125°C.

CURRENT RATING: 150mAAC

VOLTAGE-TIME: 11VuS

Designed to comply with the following requirements as defined by IEC60950-1, EN60950-1, UL60950-1/CSA60950-1 and AS/NZS60950.1:

6B - Functional insulation for a primary circuit at a working voltage of 400Vrms.

Wire insulation & RoHS status not affected by wire color.
Wire insulation color may vary depending on availability.

6D

AGENCY NUMBER	
UL60950-1	E205930
CSA60950-1 (Via CUL)	E205930

REV.	DATE	Packaging Specifications	CONVENTION PLACEMENT
6D	10/13	Method: Tape & Reel	
6C	6/13	PKG-0895	
6B	2/13	www.we-online.com/midcom	
6A	12/12	SEE REVISION SHEET FOR REVISION LEVEL	

Tolerances unless otherwise specified:
Angles: ±1° Decimals: ±.005 [0.13]
Fractions: ±1/64 Footprint: ±.005 [0.13]

This drawing is dual dimensioned. Dimensions in brackets are in millimeters.

DRAWING TITLE
TRANSFORMER

eiSos p/n: 760390014

PART NO.
760390014

SPECIFICATION SHEET 1 OF 1