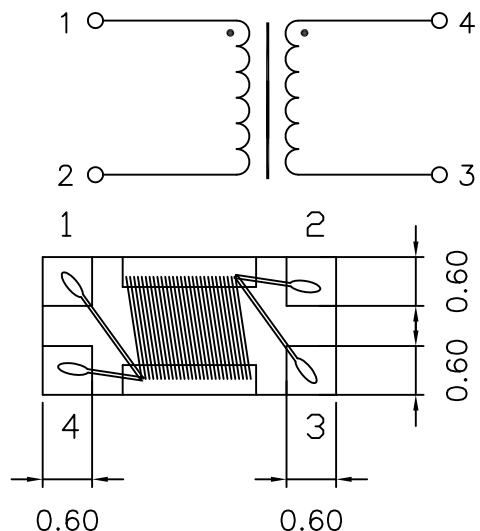
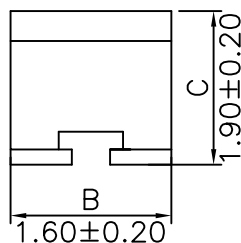
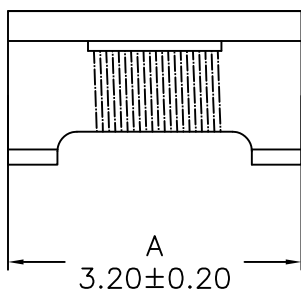


XFWCMC321619 SERIES COMMON-MODE CHOKES

- * TAPE AND REEL PACKAGING FOR HIGH VOLUME MANUFACTURING
- * TEMP. RISE; 15°C TYPICAL ABOVE 60°C AMBIENT
- * OPERATING TEMP.: -40°C TO +125°C
- * RoHS COMPLIANT
- * Custom Values Available Upon Request.

Schematic:



TOLERANCES:
 .xx 0.25
 Dimensions in MM

Part Number	Common Mode Impedance (ohm) @100MHz tolerance±25%	Rated Current (mA)	Rated Voltage (Vdc)	Insulation Resistance (M ohm)	Withstand Voltage (Vdc)	DC Resistance (max.) (ohm)
XFWCMC321619-900	67	500	50	10 Min	125	0.30
XFWCMC321619-900	75	500	50	10 Min	125	0.30
XFWCMC321619-900	90	500	50	10 Min	125	0.30
XFWCMC321619-101	100	500	50	10 Min	125	0.30
XFWCMC321619-121	120	370	50	10 Min	125	0.30
XFWCMC321619-161	160	340	50	10 Min	125	0.40
XFWCMC321619-181	180	340	50	10 Min	125	0.40
XFWCMC321619-261	260	310	50	10 Min	125	0.50
XFWCMC321619-371	370	280	50	10 Min	125	0.40
XFWCMC321619-601	600	260	50	10 Min	125	0.80
XFWCMC321619-102	1000	230	50	10 Min	125	1.00
XFWCMC321619-222	2200	200	50	10 Min	125	1.20