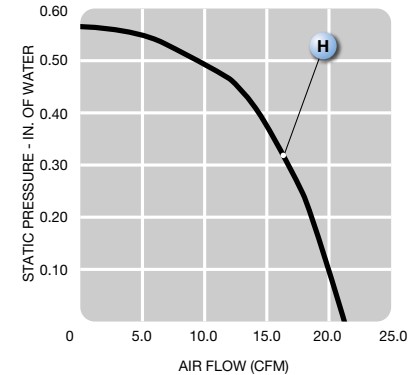
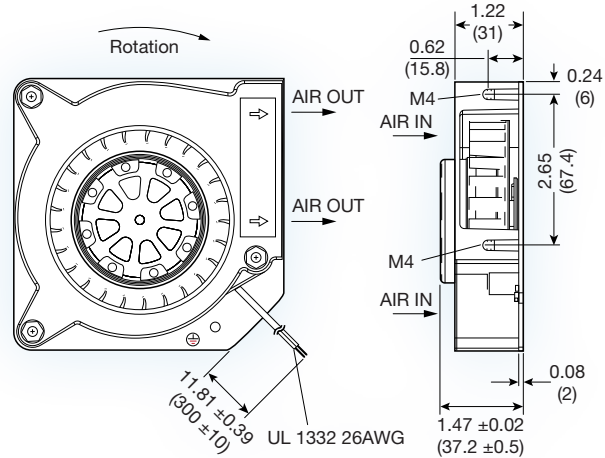


# UF90DPB series



**(120 x 120 x 37 mm)**  
4.72 x 4.72 x 1.46 inches



<b>Features:</b>	<b>single inlet blower</b>
Operating voltage:	115 or 230 VAC
Operating temp.	-40° ~ 60°C
Construction:	aluminum die cast motor base; UL94V-0 reinforced nylon impeller
Bearing option:	ball bearing
Motor:	shaded pole
Air Flow:	centrifugal
Connection:	UL1332 26AWG lead wires
Protection:	thermal

Model No.	Rated Voltage V	Freq. HZ	Input Power W	Rated Cur. A	Locked Cur. A	Speed RPM	Air Volume		Max. Static Pressure (H <sub>2</sub> O)		Sound Noise dbA	Weight kg
							M <sup>3</sup> /Min.	CFM	MM	INCH		
<b>UF90DPB12-H1S2A</b>	115	60	18	0.21	0.26	2,700	0.60	21	13	0.50	51	0.66
<b>UF90DPB23-H1S2A</b>	230	60	18	0.10	0.12	2,700	0.60	21	13	0.50	51	0.66