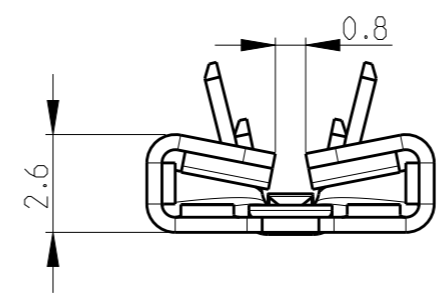
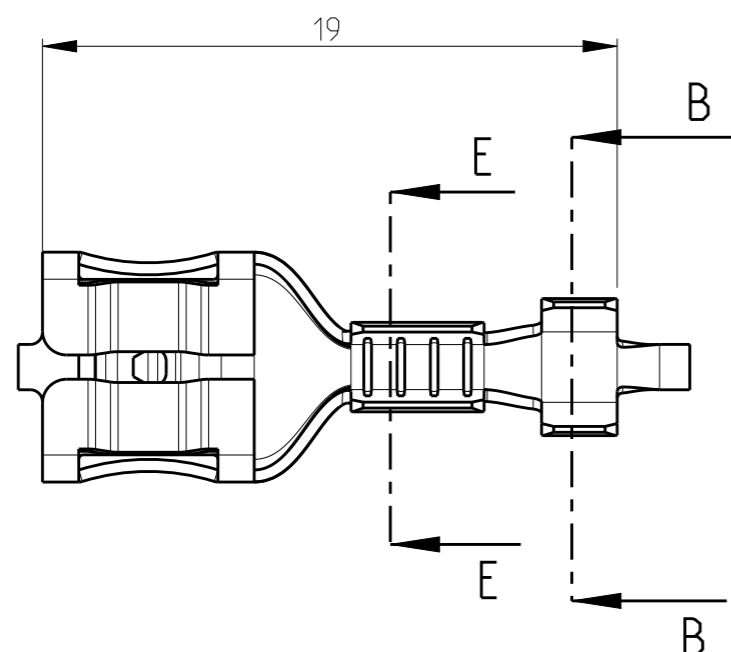
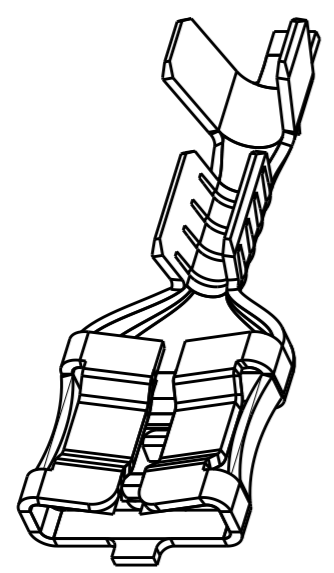
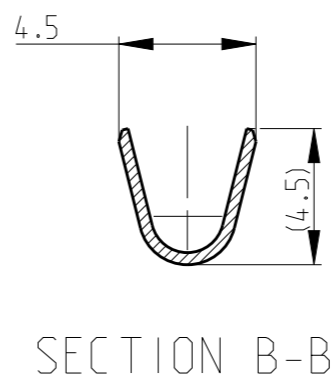
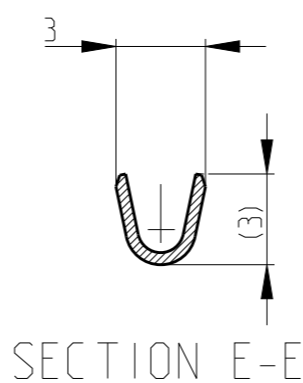
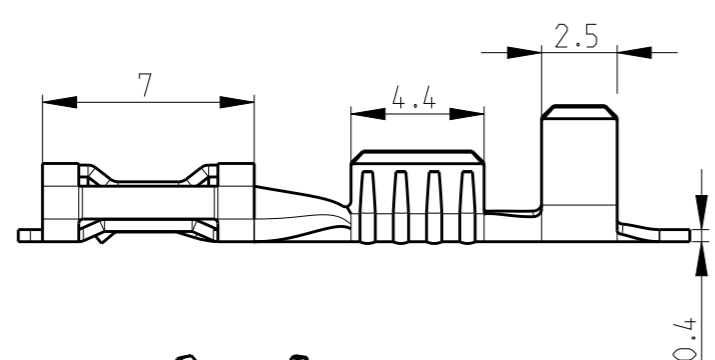


THIS DRAWING IS UNPUBLISHED. RELEASED FOR PUBLICATION 20
 © COPYRIGHT 20 BY TYCO ELECTRONICS CORPORATION ALL RIGHTS RESERVED.


| LOC | DIST | REVISIONS | | | | | |
|-----|------|-----------|-----|------------------------------|-----------|-----|------|
| | | P | LTR | DESCRIPTION | DATE | DWN | APVD |
| - | - | | A | REV.A RELEASE BASED ON REV.3 | 24OCT2014 | DL | TD |
| | | | A1 | RELEASE PER ECR-14-018864 | 24DEC2014 | DL | TD |
| | | | A2 | RELEASE PER ECR-15-004911 | 31MAR2015 | DL | TD |
| | | | A3 | RELEASE PER ECR-16-008480 | 12JUN2016 | HG | TD |



NOTE:
 1. CONTINUOUS STRIP ON REELS
 2. MATING TAB ACCORDING TO UL310 AND IEC61210 NORM. (WIDTH*THICKNESS IS 6.3*0.8mm)
 3. WIRE SIZE IS #20-#18 AWG(0.5-1.0 sqmm)
 4. INSULATION RANGE IS Ø1.8-2.5mm
 5. CUT-OFF TAB LENGTH IS 0.5MM MAX.
 6. PRELIMINARY, NOT FOR PRODUCTION.



| | | |
|----------------|----------|-------------|
| Pre-Tin Plated | BRASS | 6 2178299-2 |
| Pre-NICKEL | Steel | 2178299-1 |
| FINISH | MATERIAL | PART NO. |

| | | | | |
|---|--|---------------------------|--|-------------------------------|
| THIS DRAWING IS A CONTROLLED DOCUMENT. | | DWN VIBHUTHI 19NOV2012 |  TE Connectivity NAME 6.3 SRS F-SPRING LIF RECEPTACLE | |
| DIMENSIONS: mm | | CHK SUBHASH M 19NOV2012 | | |
| TOLERANCES UNLESS OTHERWISE SPECIFIED: | | APVD SURESH T N 19NOV2012 | | |
| 0 PLC ±0.5 1 PLC ±0.5 2 PLC ±0.25 3 PLC ± 4 PLC ± ANGLES ±1° | | PRODUCT SPEC 108-64027 | | |
| MATERIAL SEE TABLE | | FINISH SEE TABLE | APPLICATION SPEC 114-64027 | SIZE A3 |
| | | | WEIGHT - | CAGE CODE 00779 |
| | | | Customer Drawing | DRAWING NO. 2178299 |
| | | | | RESTRICTED TO - |
| | | | | SCALE 4:1 SHEET 1 OF 1 REV A3 |