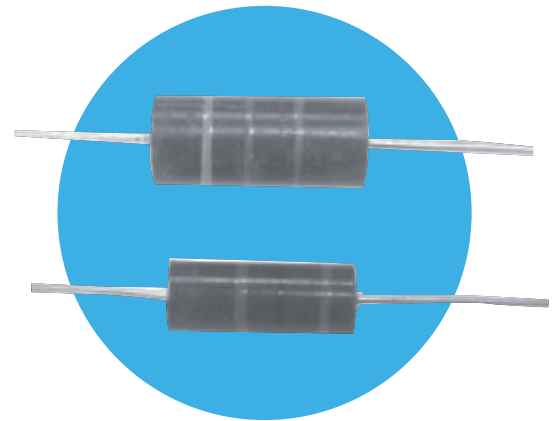


Carbon Composition Resistors

CC Series

- Hot moulded carbon composition
- High pulse voltage and energy capability
- Non-inductive



All parts are Pb-free and comply with EU Directive 2011/65/EU (RoHS2)

Electrical Data

		CC1	CC2
Power rating at 25°C	watts	1	2
Resistance range	ohms	100R – 50K	100R – 10K
Maximum pulse voltage	volts	See pulse graphs	
TCR (20 to 70°C)	ppm/ °C	< ±1000	
Resistance Tolerance	%	10 or 20 *	
Standard Values		E12	
Ambient temperature range	°C	-55 to 125	
Thermal Impedance	°C/watt	51	28

* Tolerance applies to date of manufacture. As in all carbon composition parts value drift in storage is possible. This is typically ±3% in one year and ±5% in 2 years.

Physical Data

Type	Dimensions (mm) & Weight (g)					
	L	D	d	f	Wt. nom.	
CC1	15 +1.5/-0.5	6 +0.2/-0.1	0.8 ±0.05	28 ±1	1.1	
CC2	18 +1.5/-0.5	8 +0.2/-0.1	1.0 ±0.05	28 ±1	2.4	

Construction

CC series resistors are produced using a hot moulded carbon composition material which is varied to produce the required resistance value. The leads are moulded into the resistor. Finally these are coated and band marked.

Marking

CC series resistors are colour coded. Resistors with 20% tolerance have three bands indicating value, and resistors with 10% tolerance have four bands indicating value and tolerance in accordance with IEC62.

Solvent Resistance

The body protection and marking are resistant to all normal industrial cleaning solvents suitable for printed circuits.

General Note

TT Electronics reserves the right to make changes in product specification without notice or liability. All information is subject to TT Electronics' own data and is considered accurate at time of going to print.

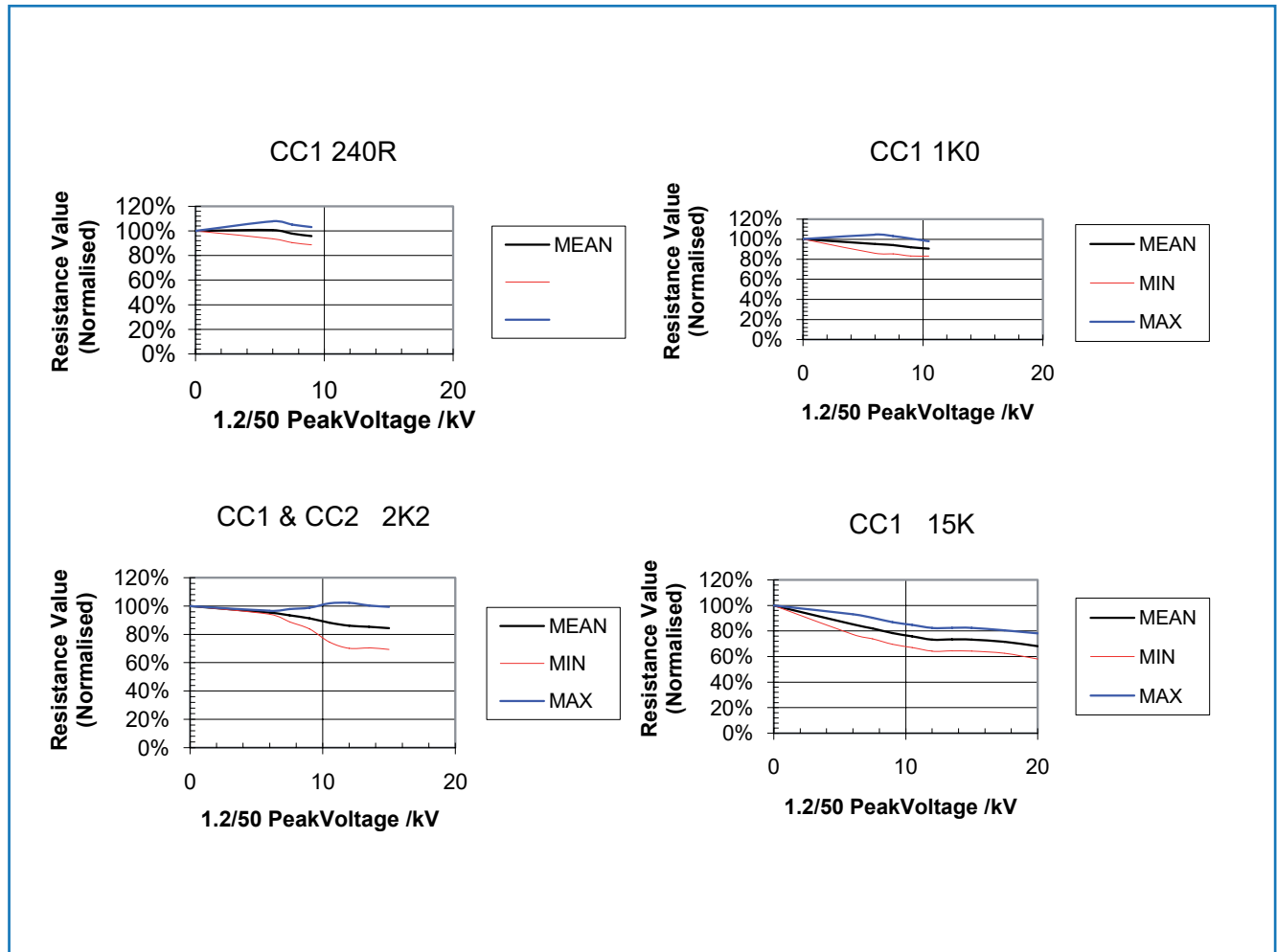
CC Series

Performance Data

		Typical
Load at rated power 1000hrs @ 25°C	±ΔR%	8
Dry heat 1000hrs @ 125°C	±ΔR%	8
Long Pulse 100ms at 60 x Rated Power	±ΔR%	2
Short term overload 2s at 6.25 x Rated Power	±ΔR%	2
Derating from rated power @ 25°C		Zero at 125°C
Climatic sequence	±ΔR%	8
Vibration	±ΔR%	2
Temperature rapid change	±ΔR%	2
Resistance to solder heat	±ΔR%	2
Isolation voltage	V	500V

Pulse Performance

The graphs below show the value changes resulting from applying multiple pulses of increasing peak voltage. The pulse shape was 1.2/50μS as defined in IEC 6100-4-5 / ANSI C62.41. The highest voltage plotted on each graph represents the maximum peak voltage for that resistance value.



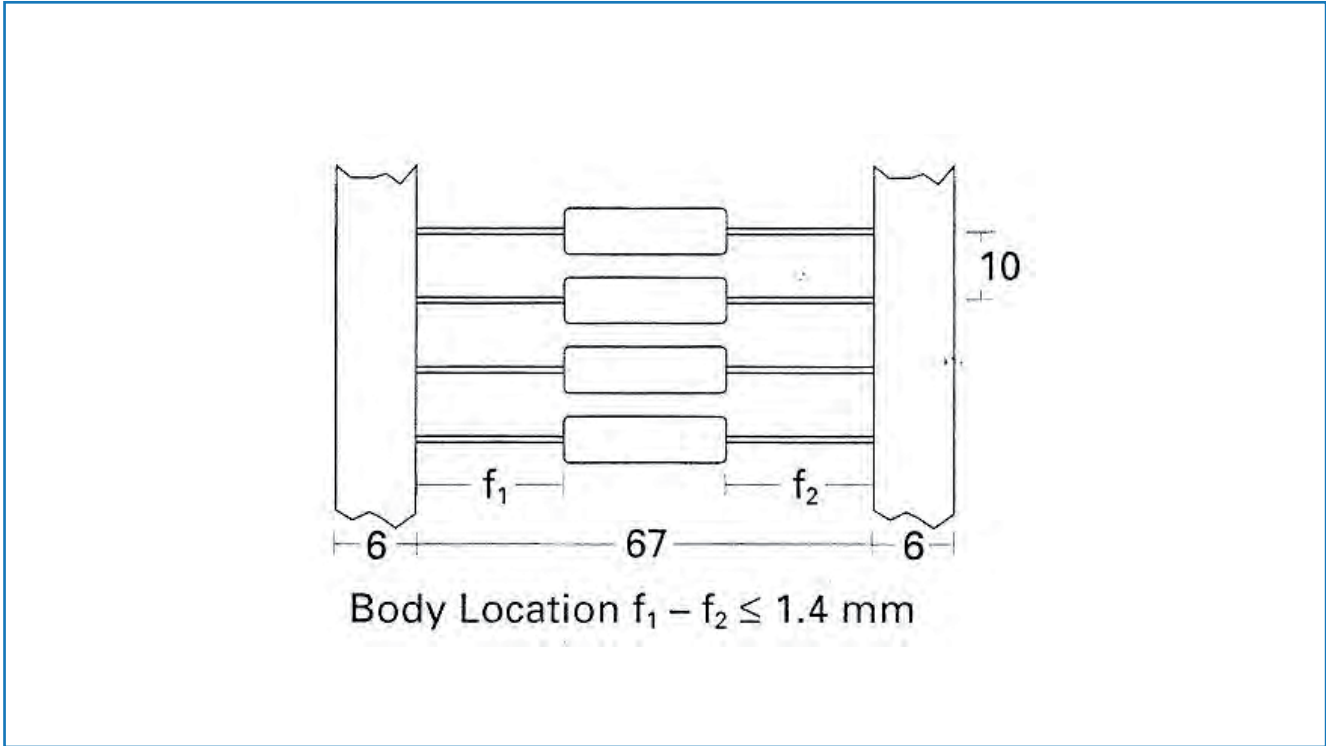
General Note

TT Electronics reserves the right to make changes in product specification without notice or liability. All information is subject to TT Electronics' own data and is considered accurate at time of going to print.

CC Series

Packaging

Parts are supplied as standard loose packed in boxes. Quantity per box: 2400 (CC1) & 1200 (CC2). CC1 can be supplied by special request tape packed as shown and on a reel. Quantity per reel: 960.



Ordering Procedure

Example: CC1 at 6.8 kilohms and 10% tolerance in a bulk pack box of 2400 pieces -

CC1- 6K8 K B24

Type _____

Value (use IEC62 code) _____

Tolerance (use IEC62 code) _____

K	10%
M	20%

Packing _____

B24	Bulk	CC1	2400/box	Standard
B12		CC2	1200/box	
T096	Tape	CC1	960/reel	Non-Standard

General Note

TT Electronics reserves the right to make changes in product specification without notice or liability. All information is subject to TT Electronics' own data and is considered accurate at time of going to print.