

4

3

2

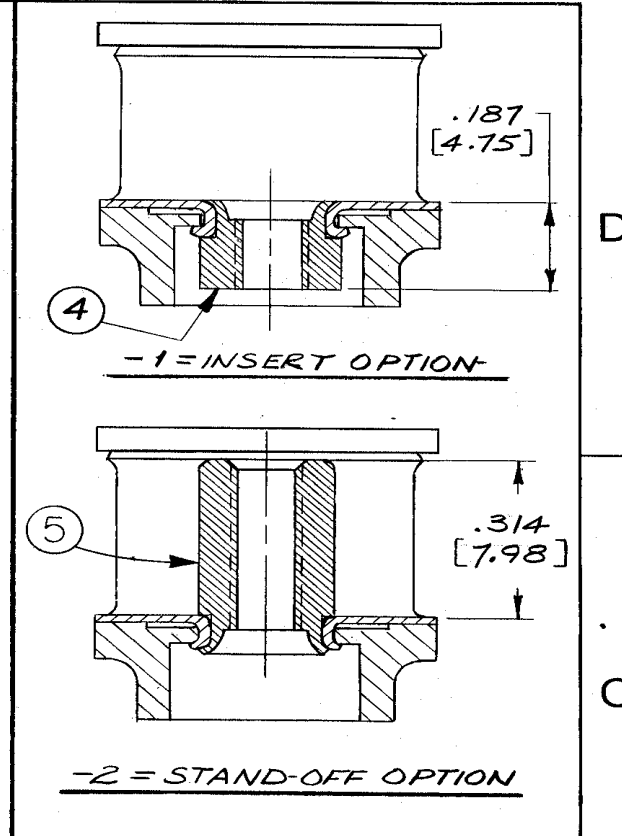
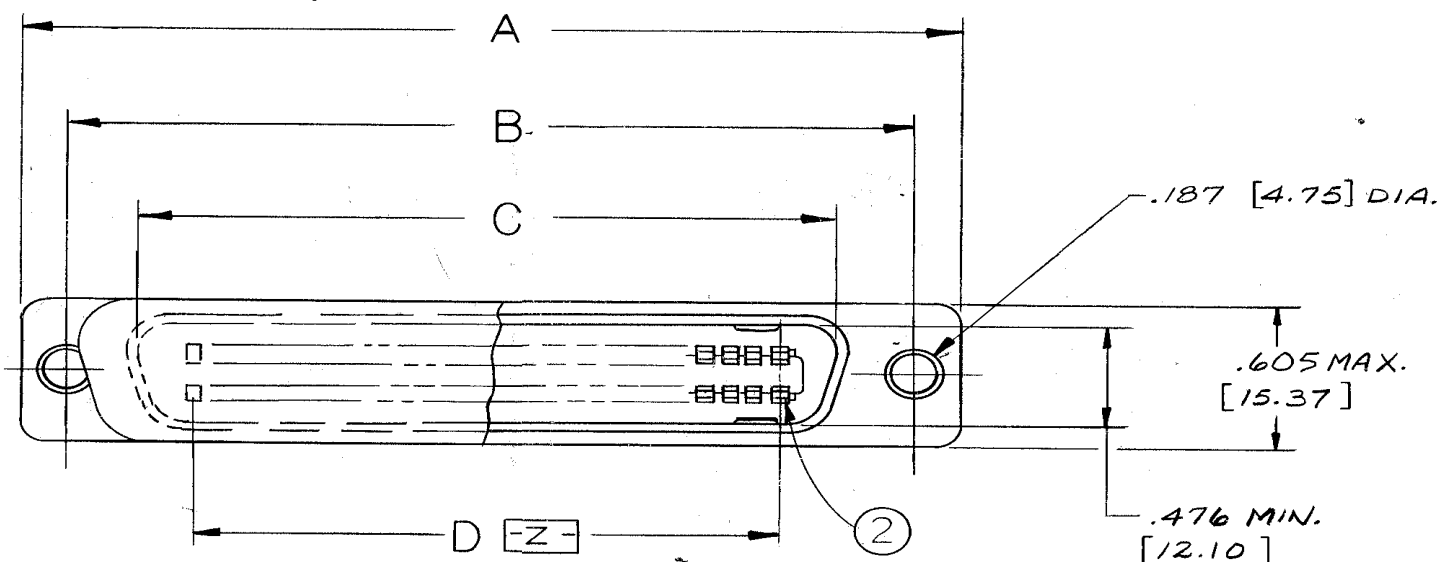
1

NOTES

1. DIMS. SHOWN IN [BRACKETS] ARE IN MILLI-METERS AND ARE SHOWN FOR REF. ONLY.

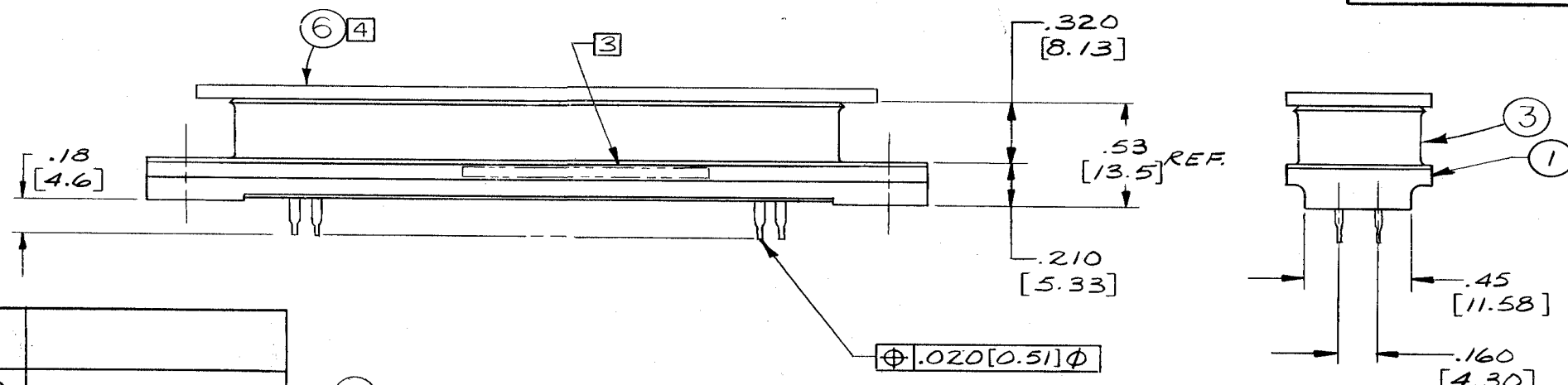
- 2 - MOUNTING OPTIONS
 - 0 = .187 DIA. THRU HOLE
 - 1 = INSERT, FLUSH #4-40 THD.
 - 2 = STAND-OFF #4-40 THD.
- Δ - CONTACT PLATING OPTIONS CONSULT SALES DEPT.

3 CATALOG NO. & 4 DIGIT DATE CODE LOCATED APPROX. AS SHOWN.

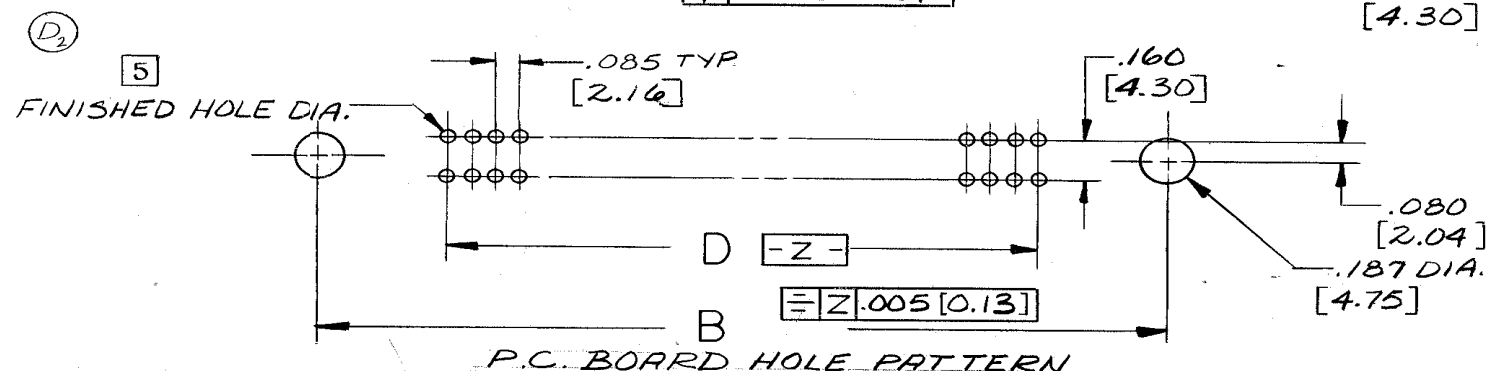


- 1 INSULATOR: MAT'L: POLYESTER THERMOPLASTIC GLASS FILLED, COLOR: BLACK
- 2 CONTACT: MAT'L: COPPER-NICKEL ALLOY # 725
- 3 SHIELD: MAT'L: COLD ROLLED STEEL FINISH: BRIGHT TIN SOLDER
- 4 INSERT, FLUSH: #4-40 THD. MAT'L: CARBON STEEL
- 5 STAND-OFF: #4-40 THD. MAT'L: CARBON STEEL
- 6 INSERTION & DUST COVER MAT'L: POLYCARBONATE THERMOPLASTIC COLOR: BLUE

- NOTES
- 4 COVER TO BE USED FOR ONE CONNECTOR INSERTION ONLY.
 - 5 SEE DRAWING 27367 FOR PLATED THRU HOLE SPECIFICATIONS.



50	3.270 [83.06]	2.947 [74.85]	2.538 [64.47]	2.040 [51.82]	184-1250P-●-Δ
36	2.675 [67.95]	2.352 [59.74]	1.938 [49.23]	1.445 [36.70]	184-1236P-●-Δ
24	2.165 [54.99]	1.842 [46.79]	1.437 [36.50]	.935 [23.75]	184-1224P-●-Δ
NO. OF CONTACTS	A	B	C	D	CATALOG NO. [2]



DATE	2/24/84	12-10-85	8-27-86	6-28-88
BY	D.V.L.	DDNNA	AEH	Joe R
REVISION	RELEASED LEWR - 132-83 EN - 17946	REMOVED CAT. NO. 184-1214P-0-A 11-12-84P-0-A ECG 3102 V-0 EN 18444	ADDED INSERTION & DUST COVER ADDED NOTE 4 MPRE-PROGRAM #23 LEN-18888A V2A	ADDED NOTE 15 1. REV'D 032 + 003 [0.82 + 003] 3. REV'D PRO. NOTE ECR 0867 ENT 19869

GENERAL NOTES UNLESS OTHERWISE SPECIFIED

- ALL DIMENSIONS ARE IN INCHES
- ALL DIMENSIONS ARE TO MAX.
- REMOVE ALL BURRS TO R. MAX.
- BREAK ALL SHARP EDGES EQ. TO R. MAX.
- R. MAX. ON INSIDE CORNERS.
- ALL DIAMETERS CONCENTRIC. T.I.R. MAX.
- GENERAL SURFACE FINISH TO BE MAX.
- TOLERANCES

CLASSIFICATION OF CHARACTERISTICS PER MIL-STD 105

MAJOR MINOR

XX ±.02 (±0.5)
XXX ±.005 (±0.13)
ANGLES ±

TITLE: PLUG, C-TEL, SHIELDED
.085x.160 GRID

SMALL "C" PRESS - OUTLINE

SCALE: 2x1

DR. J. GATZURAS CKD. JAD APD. JAD
DATE 6/29/83 DATE 4/13/84 DATE 5/31/84

WINCHESTER ELECTRONICS
DIVISION OF LITTON SYSTEMS INCORPORATED
WATERTOWN, CONNECTICUT

DWG. SIZE: C 23992 REV. D