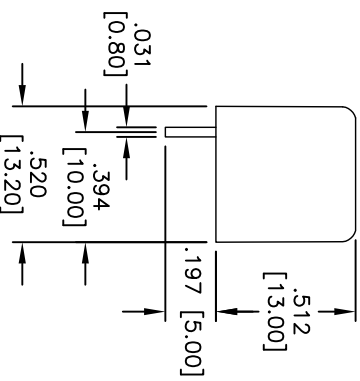
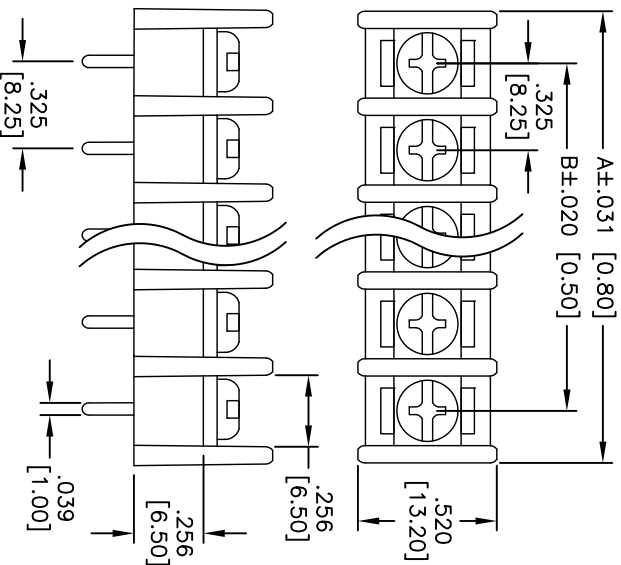


APPROVED: _____
 DATE: _____ TITLE: _____

Rev	AWO #	Description	Date	Appr
-		RELEASED	6/7/05	
A		REDRAWN	12/12/13	AVILL



SPECIFICATIONS:
 Material:
 Insulator: Nylon66, rated UL 94V-0
 Insulator color: Black
 Contacts: Barss
 Screw: M3.0, Steel, Nickel plated
 Plating:
 Tin over Copper underplate overall

Electrical:
 Operation voltage: 300 VAC
 Current rating: 15 Amps
Mechanical:
 Wire Range: 14-22 Awg
 Screw Torque Value: 10kg-cm (8.68 lb-in)
 Insulation resistance: 1000 Mohms min @ 500 VDC
 Dielectric withstanding voltage: 2000 VAC for 1 minute
 Temperature Rating:
 Operating temperature: -40°C to +120°C
 Environmental:
 Lead free, RoHS Compliant

Positions: 2 thru 32
 A = .325 [8.25] x No. of Positions + .079 [2.00]
 B = .325 [8.25] x No. of Spaces

UNLESS OTHERWISE SPECIFIED
 ALL DIMENSIONS ARE INCHES [MM]
 TOLERANCES: EXCEPT AS NOTED

INCHES	HOLE
X ± .10	ØX ± .10
.XX ± .020	ØXX ± .015
.XXX ± .015	ØXXX ± .010

APPROVALS	DATE
DRAWN SS	6/7/05
CHECKED	
APPROVED	

ADAM TECH
 909 Rahway Avenue, Union, NJ 07083
 Phone: 908-687-5000 Fax: 908-687-5710

TITLE: .325 [8.25] CENTERLINE BARRIER BLOCK
 VERTICAL, PCB TAILS

SIZE	PART NO.	REV.
X	TBC-XX-01-B	A

REF: S00031T SCALE: NTS SHEET 1 OF 1



6 5 4 3 2 1