


NOTES: UNLESS OTHERWISE SPECIFIED

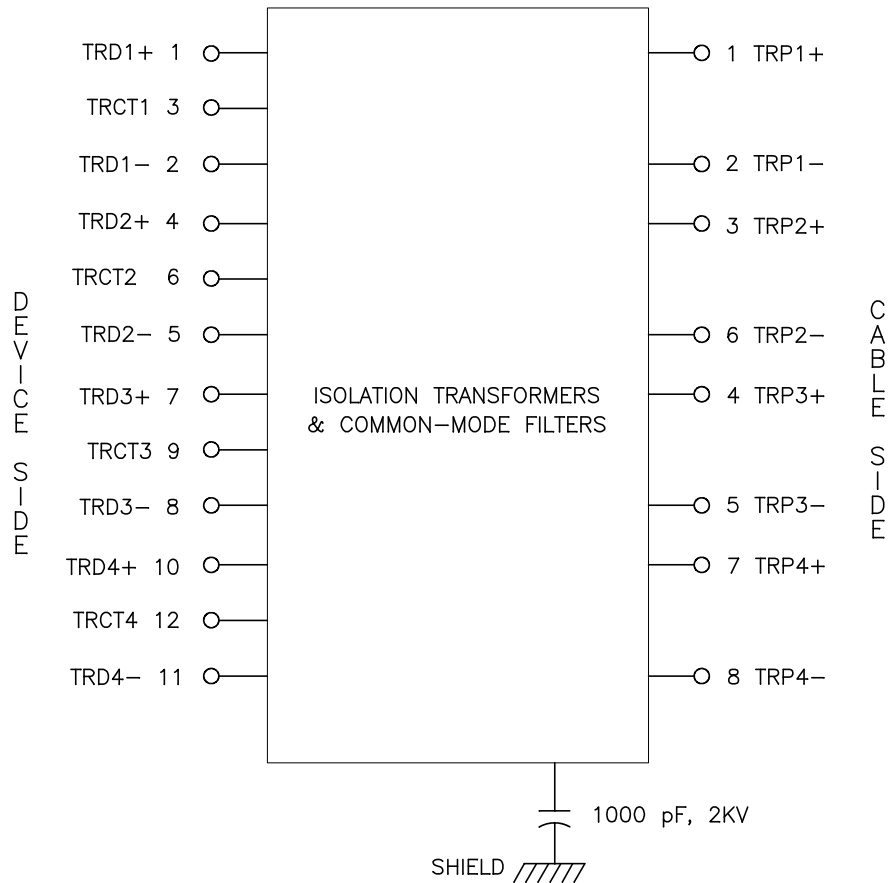
1.

| | |
|---|--|
| NOTICE: | THIS IS A RoHS COMPLIANT COMPONENT/PRODUCT. |
| RoHS-6  | ALL ENGINEERING CHANGES MUST HAVE PRIOR APPROVAL BY THE DESIGN CENTER. |

2. PLASTIC HOUSING: THERMOPLASTIC MATERIAL WITH FLAMMABILITY RATING UL 94V-0 OR BETTER.
3. CONTACT BASE MATERIAL: PHOSPHOR BRONZE.
4. CONTACTS UNDERPLATE: 50 MICROINCHES DUCTILE NICKEL.
5. CONTACTS PLATING: 50 MICRO-INCH GOLD PLATING.
6. SOLDER TAIL PLATING MATERIAL: 200-500 μINCHES 100% TIN, MATTE FINISH.
7. METAL SHIELD: NICKEL PLATING ON COPPER ALLOY.
8. JACK CAVITY CONFORMS TO FCC RULES AND REGULATIONS PART 68 SUBPART F.
9. PCB PLATING: EG.
10. SOLDERABILITY: CONFORMS TO ANSI/J-STD-002, IPC/EIA J-STD-003A.
11. OPERATING TEMPERATURE: 0°C TO +70°C
12. STORAGE TEMPERATURE: -20°C TO +125°C
13. JEDEC MOISTURE: LEVEL 1.
14. REVISION: MX1, MX2, ARE PRELIMINARY.

© Copyright, 2013. Pulse Electronics, Inc. All rights reserved. Drawing specifications subject to change without notice. (4/9/13)

| | | | | | |
|--|-------------------------|---------------|--------|--------------------|------|
| PULSE CONFIDENTIAL & PROPRIETARY | PRODUCT DESCRIPTION | PS DRAWING | SHEET: | DWG. NO./ PART NO. | REV. |
| | CONN,RJ45,2X6,10G,4C,PF | PS-2636.005-B | 1 | JT5-2610CNL | MX1 |



SCHEMATIC (EACH PORT)

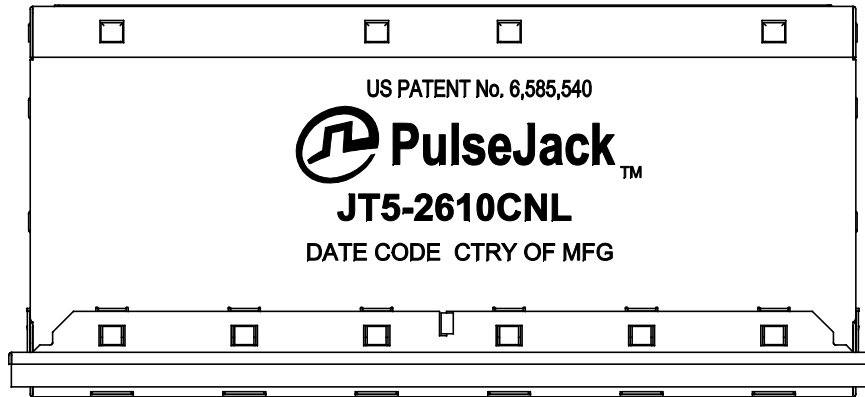
ELECTRICAL CHARACTERISTICS AT +25°C UNLESS OTHER SPECIFIED

| PARAMETER | SPECIFICATIONS | | |
|--|------------------------------|---------------------------|-------------|
| OPERATING TEMP | 0°C TO +70°C | | |
| TURNS RATIO | 1.00 ± 2% | | |
| POLARITY | PER SCHEMATIC | | |
| INSERTION LOSS | 100 KHz | 1-400 MHz | |
| | -3.0 dB MAX | -2.0 dB MAX (-1.4 dB TYP) | |
| RETURN LOSS (Z OUT = 100 OHM ± 1%) | 1-100 MHz | 100 MHz-500 MHz | |
| | -22 dB MIN | -22 + 20.75*LOG (f/100) | |
| INDUCTANCE (OCL) | 180 uH MIN @ 100 kHz, 100 mV | | |
| CROSSTALK, ADJACENT CHANNELS | 1-100 MHz | 100-500 MHz | |
| | -28 dB MIN | -19 dB MIN | |
| COMMON MODE REJECTION RATIO | 1-40 MHz | 40-100 MHz | 100-500 MHz |
| | -30 dB MIN | -28 dB MIN | -26 dB MIN |
| COMMON TO DIFFERENTIAL MODE REJECTION (CDMR) | 1-250 MHz | | 250-500 MHz |
| | -30 dB MIN | | -22 dB MIN |
| CURRENT CARRYING CAPABILITY, RJ45 PINS 1-8 | 500 mA MAX | | |
| INPUT - OUTPUT ISOLATION | 2250 VDC MIN @ 60 SECONDS | | |

NOTE: f IS FREQUENCY IN MHz.

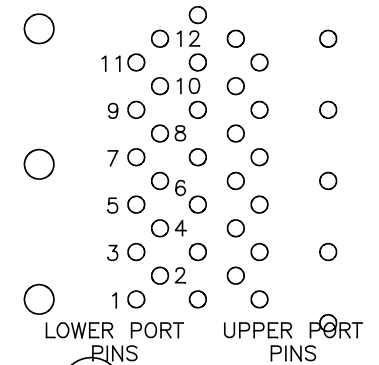
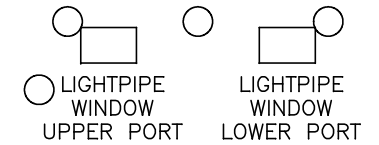
© Copyright, 2013. Pulse Electronics, Inc. All rights reserved. Drawing specifications subject to change without notice. (4/9/13)

| | | | | | |
|--|-------------------------|---------------|--------|--------------------|------|
| PULSE CONFIDENTIAL & PROPRIETARY | PRODUCT DESCRIPTION | PS DRAWING | SHEET: | DWG. NO./ PART NO. | REV. |
| | CONN,RJ45,2X6,10G,4C,PF | PS-2636.005-B | 2 | JT5-2610CNL | MX1 |



PIN ASSIGNMENT

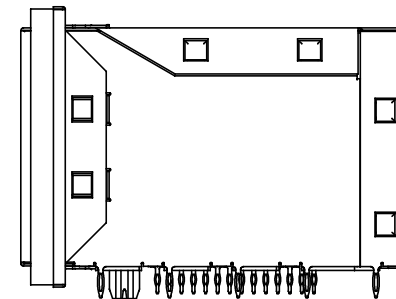
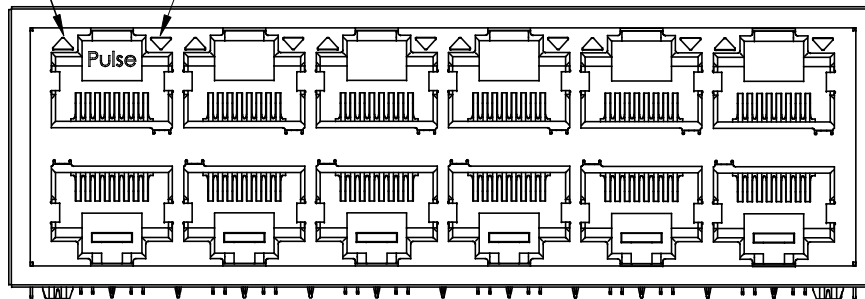
- 1 TD1+
- 2 TD1-
- 3 CT1
- 4 TD2+
- 5 TD2-
- 6 CT2
- 7 TD3+
- 8 TD3-
- 9 CT3
- 10 TD4+
- 11 TD4-
- 12 CT4



PIN ASSIGNMENT VIEWED FROM COMPONENT SIDE (ONLY LEFTMOST 2 PORTS SHOWN)

UPPER PORT LED

LOWER PORT LED



© Copyright, 2013. Pulse Electronics, Inc. All rights reserved. Drawing specifications subject to change without notice. (4/9/13)

PULSE CONFIDENTIAL
&
PROPRIETARY

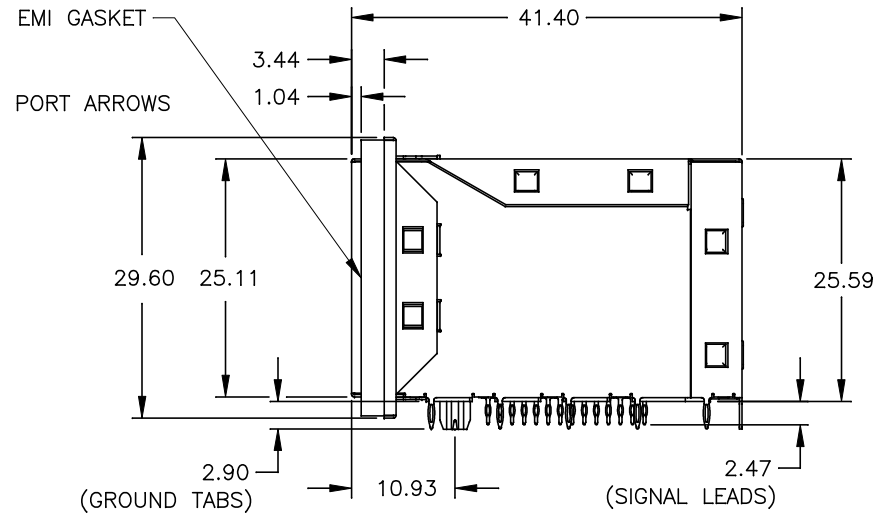
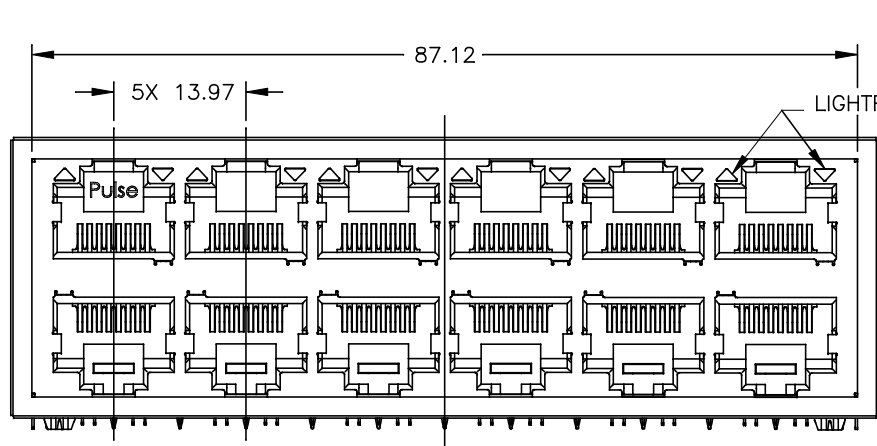
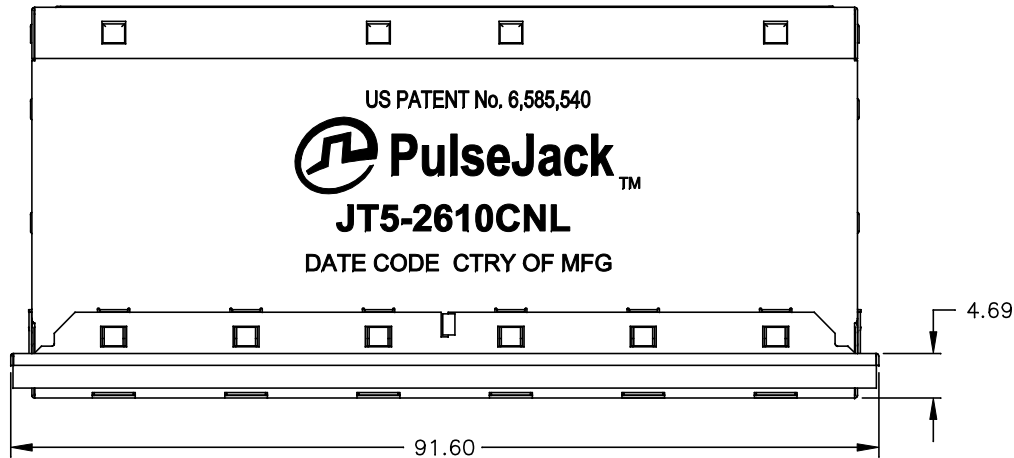
PRODUCT DESCRIPTION
CONN,RJ45,2X6,10G,4C,PF

PS DRAWING
PS-2636.005-B

SHEET:
3

DWG. NO./ PART NO.
JT5-2610CNL

REV.
MX1



ALL DIMENSION ARE SHOWN IN MILLIMETERS.
UNLESS OTHERWISE SPECIFIED,
THE FOLLOWING TOLERANCES APPLY:

X.XX = ± 0.25

© Copyright, 2013. Pulse Electronics, Inc. All rights reserved. Drawing specifications subject to change without notice. (4/9/13)

PULSE CONFIDENTIAL
&
PROPRIETARY

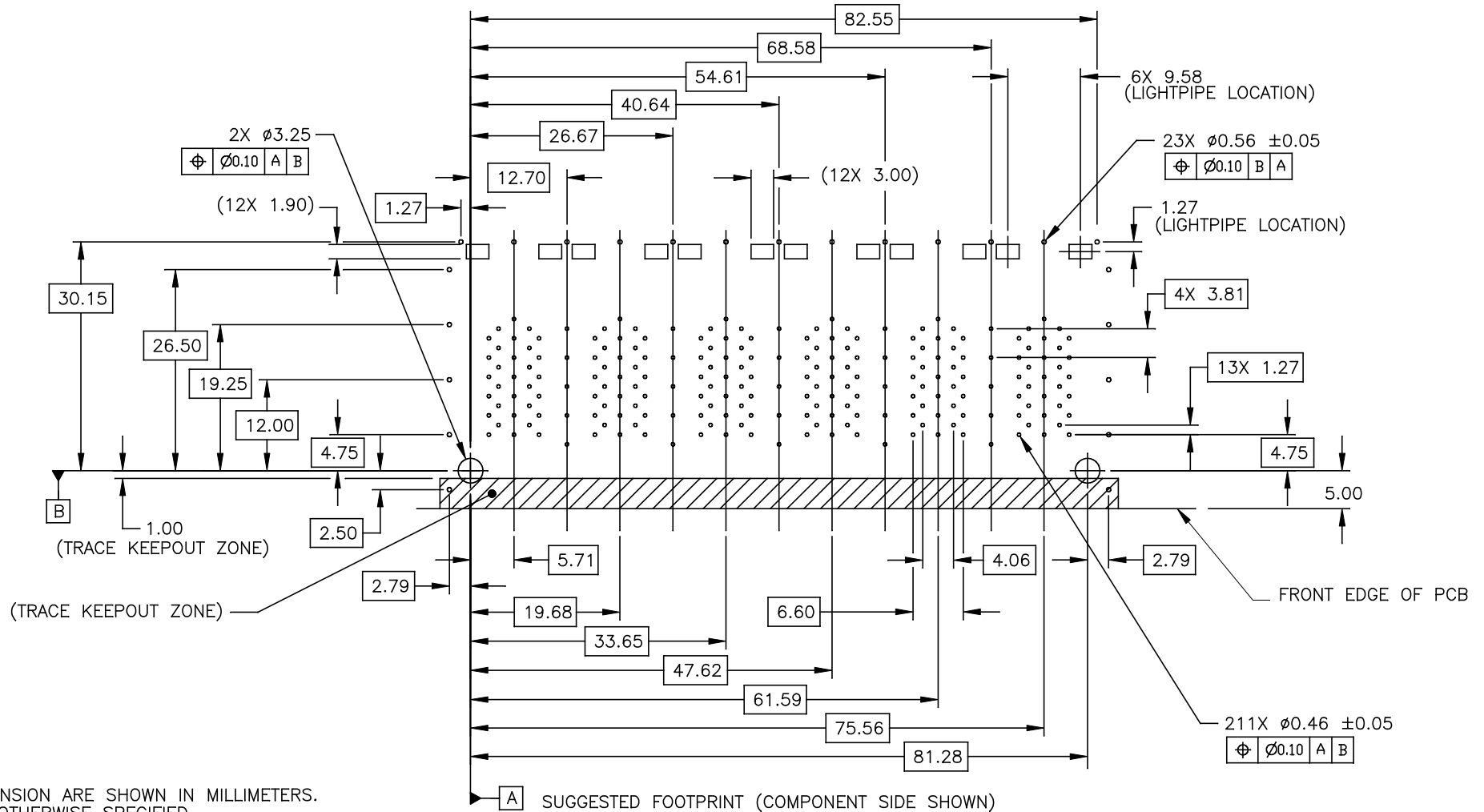
PRODUCT DESCRIPTION
CONN,RJ45,2X6,10G,4C,PF

PS DRAWING
PS-2636.005-B

SHEET:
4

DWG. NO./ PART NO.
JT5-2610CNL

REV.
MX1



ALL DIMENSION ARE SHOWN IN MILLIMETERS.
UNLESS OTHERWISE SPECIFIED,
THE FOLLOWING TOLERANCES APPLY:
X.XX = ± 0.05

© Copyright, 2013. Pulse Electronics, Inc. All rights reserved. Drawing specifications subject to change without notice. (4/9/13)

PULSE CONFIDENTIAL
&
PROPRIETARY

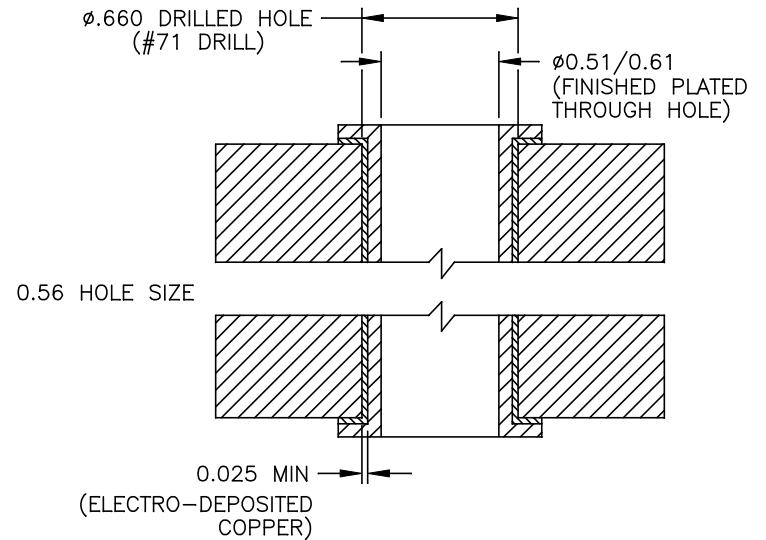
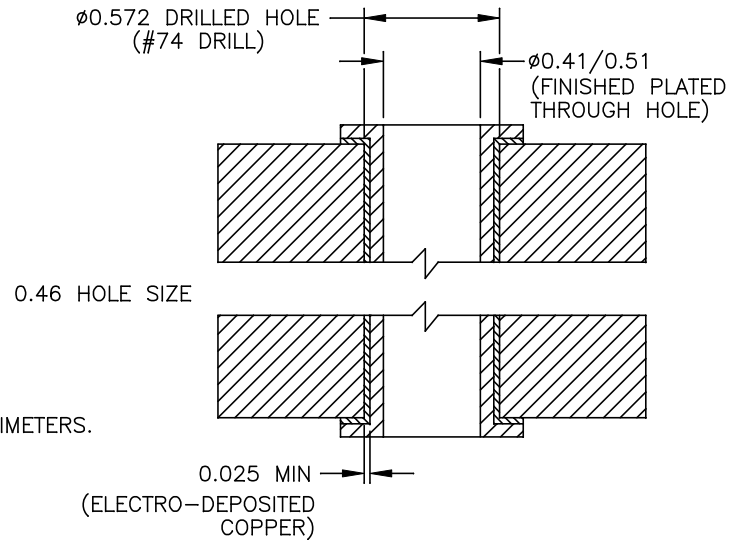
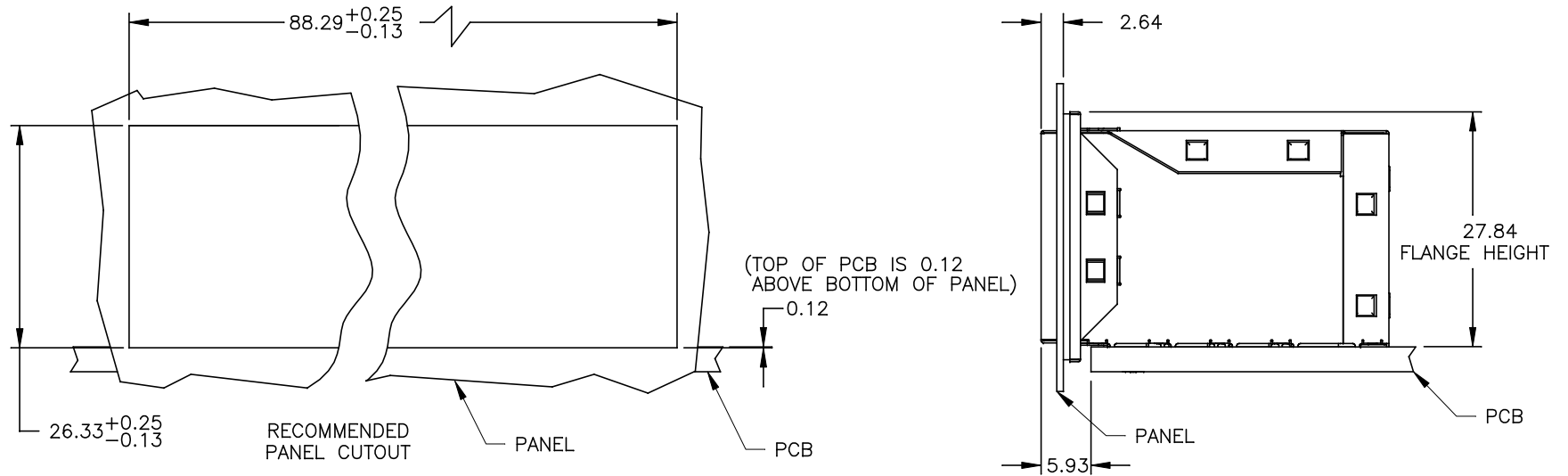
PRODUCT DESCRIPTION
CONN,RJ45,2X6,10G,4C,PF

PS DRAWING
PS-2636.005-B

SHEET:
5

DWG. NO./ PART NO.
JT5-2610CNL

REV.
MX1



ALL DIMENSION ARE SHOWN IN MILLIMETERS.
UNLESS OTHERWISE SPECIFIED,
THE FOLLOWING TOLERANCES APPLY:
X.XX = ±0.25

© Copyright, 2013. Pulse Electronics, Inc. All rights reserved. Drawing specifications subject to change without notice. (4/9/13)

PULSE CONFIDENTIAL
&
PROPRIETARY

PRODUCT DESCRIPTION
CONN,RJ45,2X6,10G,4C,PF

PS DRAWING
PS-2636.005-B

SHEET:
6

DWG. NO./ PART NO.
JT5-2610CNL

REV.
MX1