

isc N-Channel Mosfet Transistor

6N60

• FEATURES

- Drain Current $-I_D = 6A @ T_C = 25^\circ C$
- Drain Source Voltage-
: $V_{DSS} = 600V (Min)$
- Static Drain-Source On-Resistance
: $R_{DS(on)} = 1.2 \Omega (Max)$
- Avalanche Energy Specified
- Fast Switching
- Simple Drive Requirements

• DESCRIPTION

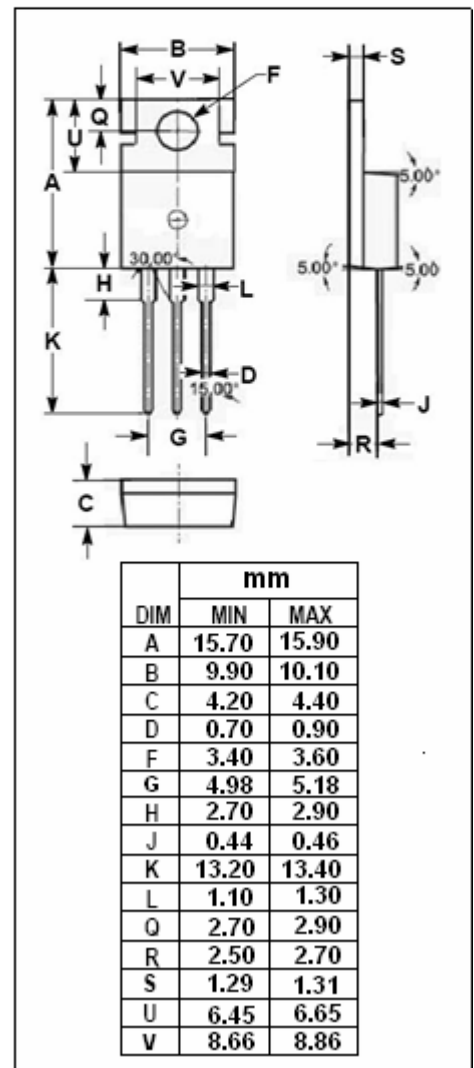
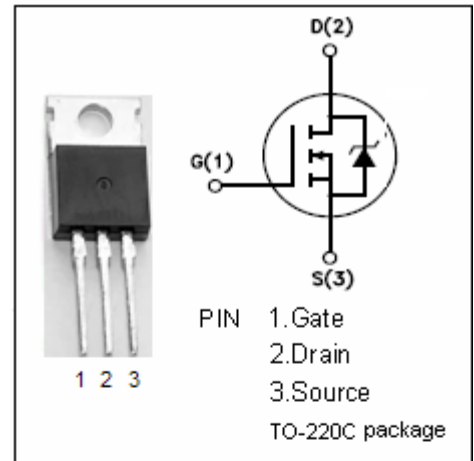
- Designed for high efficiency switch mode power supply.

• ABSOLUTE MAXIMUM RATINGS($T_a = 25^\circ C$)

SYMBOL	PARAMETER	VALUE	UNIT
V_{DSS}	Drain-Source Voltage	600	V
V_{GS}	Gate-Source Voltage-Continuous	± 20	V
I_D	Drain Current-Continuous	6	A
I_{DM}	Drain Current-Single Plused	24	A
P_D	Total Dissipation @ $T_C = 25^\circ C$	125	W
T_j	Max. Operating Junction Temperature	150	$^\circ C$
T_{stg}	Storage Temperature	-55~150	$^\circ C$

• THERMAL CHARACTERISTICS

SYMBOL	PARAMETER	MAX	UNIT
$R_{th j-c}$	Thermal Resistance, Junction to Case	1	$^\circ C/W$
$R_{th j-a}$	Thermal Resistance, Junction to Ambient	62.5	$^\circ C/W$



isc N-Channel Mosfet Transistor**6N60****ELECTRICAL CHARACTERISTICS** $T_C=25^{\circ}\text{C}$ unless otherwise specified

SYMBOL	PARAMETER	CONDITIONS	MIN	MAX	UNIT
$V_{(BR)DSS}$	Drain-Source Breakdown Voltage	$V_{GS}=0; I_D=0.25\text{mA}$	600		V
$V_{GS(th)}$	Gate Threshold Voltage	$V_{DS}=V_{GS}; I_D=0.25\text{mA}$	2	4	V
$R_{DS(on)}$	Drain-Source On-Resistance	$V_{GS}=10\text{V}; I_D=3\text{A}$		1.2	Ω
I_{GSS}	Gate-Body Leakage Current	$V_{GS}=\pm 20\text{V}; V_{DS}=0$		± 100	nA
I_{DSS}	Zero Gate Voltage Drain Current	$V_{DS}=600\text{V}; V_{GS}=0$		1	μA
V_{SD}	Forward On-Voltage	$I_S=6\text{A}; V_{GS}=0$		1.8	V