

MAXIM

DS9098P iButton Retainer

FEATURES

- Compact Receptacle for F5 iButton[®] Mounting
- Fully Backward-Compatible to DS9098
- Contacts are Stainless Steel with Selective 100% Matte Tin Plating for Optimal Pb-free Solderability to PCB
- Retainer to iButton Connection is Stainless Steel to Stainless Steel
- Withstands Up to +250°C for Surface Mounting
- Double Redundancy of Contacts (2 plus 2)
- Contact Force Exceeds 2N for Reliable Connection
- Prevents Reversed Insertion
- At Insertion, the iButton is Latched for Retention
- The iButton Pops Up for Removal When Latch is Released
- Gentle Deflection of Latches Allows Removal of the iButton
- > 25 Insertion/Withdrawal Cycles with No Performance Degradation
- Compatible with Standard Pick and Place Equipment
- Cleaning Fluids Drain Freely for Quick Cleanup

ORDERING INFORMATION

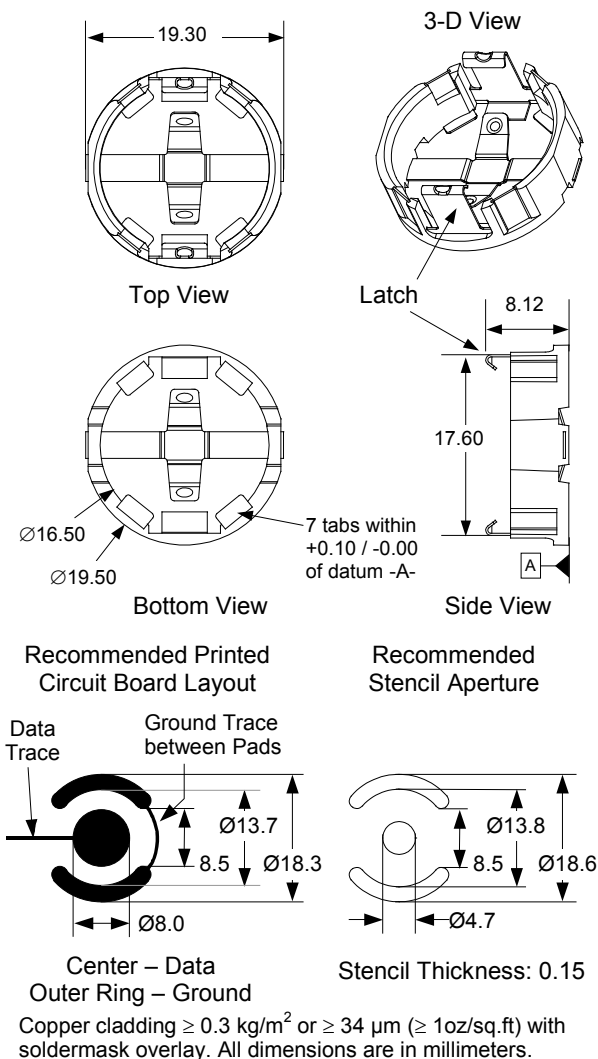
PART	DESCRIPTION
DS9098P-TRL+	Tape and reel, 220 parts per 13in reel

+Denotes a lead(Pb)-free/RoHS-compliant package.
TRL = Tape and reel.

DESCRIPTION

The DS9098P iButton retainer is a low-cost, surface-mount device to secure an F5 iButton on a PCB. It consists of three metal pieces (two for ground, one for data) molded into a body of black, heat-stabilized, glass fiber reinforced liquid crystal polymer. When inserting an iButton into the DS9098P, closely align axis of the iButton and the retainer. The retainer then latches the flange of the iButton. At removal, limit deflection of retainer latches to just free the iButton edge from retained state. Avoid applying excess force to latches.

The DS9098P is only available on tape and reel. The tape specifications match those of 68-lead PLCC devices except for the deeper pockets and tape-feed sprockets on either side of the 44mm tape. Alignment pedestals keep the part oriented on tape with the latches adjacent to the sprockets.



iButton is a registered trademark of Maxim Integrated Products, Inc.

REVISION HISTORY

REVISION DATE	DESCRIPTION	PAGES CHANGED
022008	Added coplanarity specification of contact tabs to the data sheet (only affects graphic)	1
	Minor formatting adjustments (only affects graphic)	
	Changed “30% glass fiber reinforced Nylon 46” to “glass fiber reinforced liquid crystal polymer”	
8/09	Added lead(Pb)-free status to the <i>Ordering Information</i> PART information	1
2/12	Changed the third bullet in the <i>Features</i> from “tin-lead plating” to “100% matte tin plating” for lead(Pb)-free compliance	1