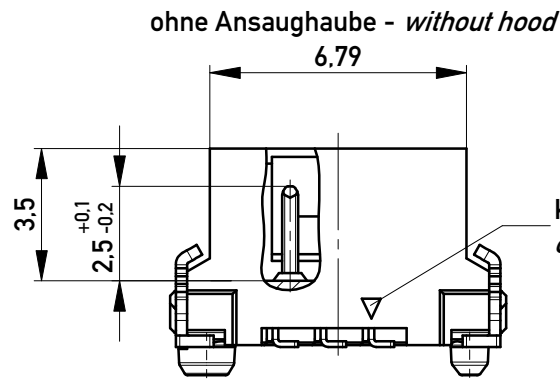
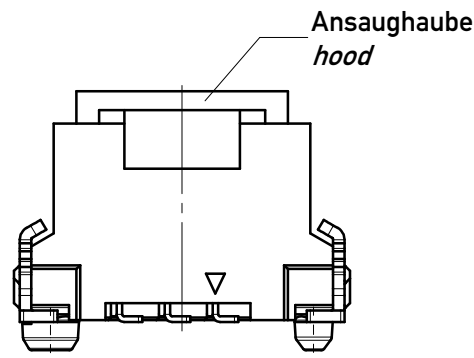


Anforderungsstufe 1
Performance Level 1

Kontaktbereich vergoldet
Mating Area gold plating

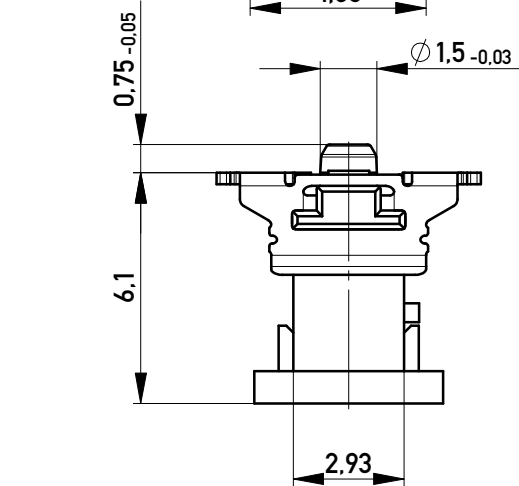
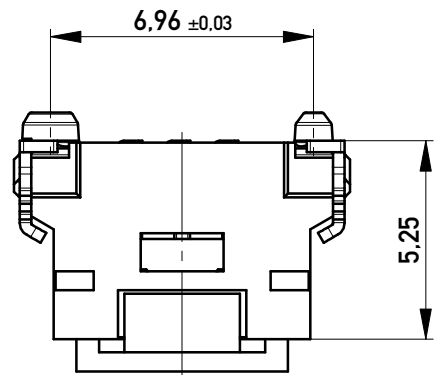
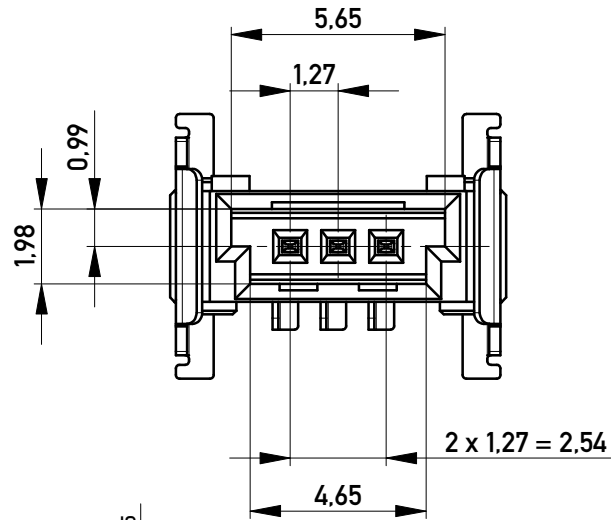
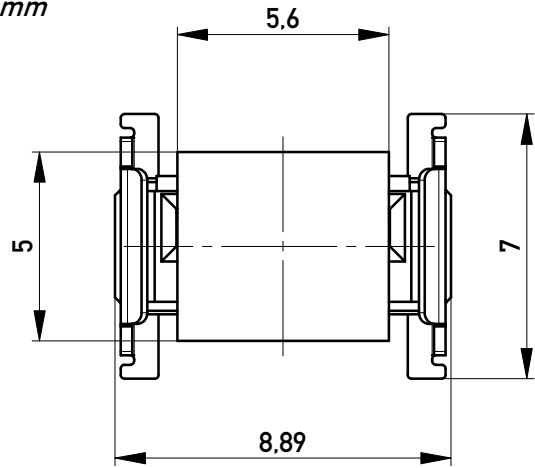
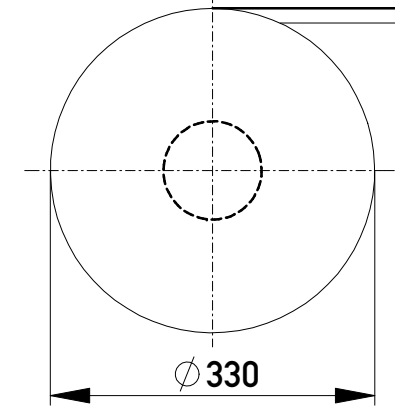
Anschlussbereich verzinkt 4-6 µm
Terminal Area 4-6 µm tin plating

Koplanarität der Anschlüsse ≤ 0,1 mm
Coplanarity Area of Termination ≤ 0,1 mm

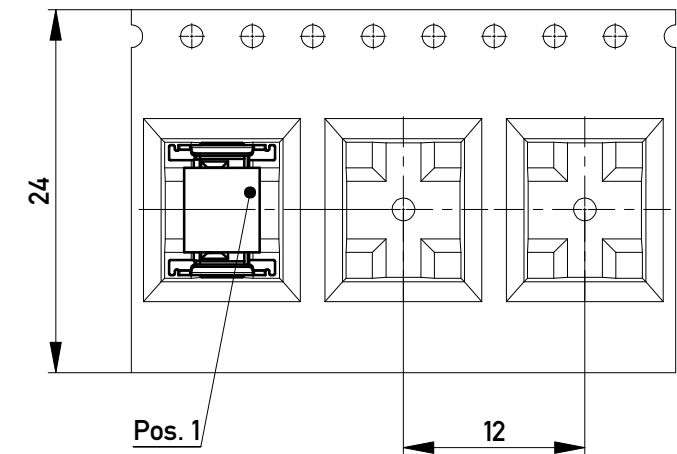


Kontaktbezeichnung
contact marking

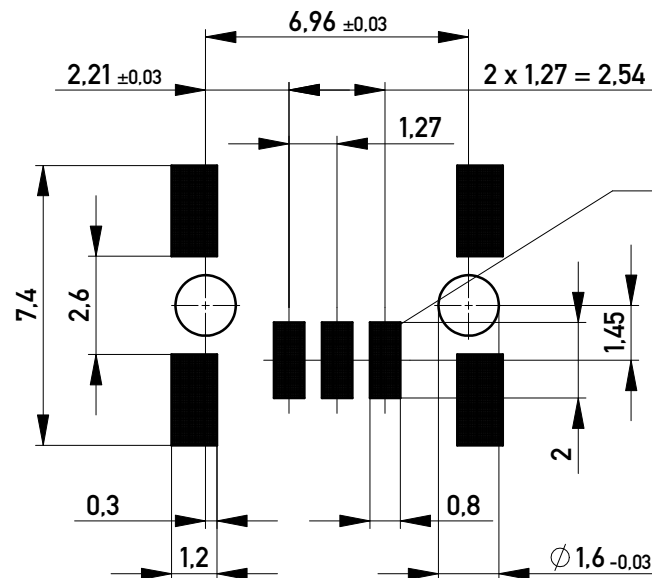
Verpackt in Gurtverpackung
Tape on Reel Packaging
Verpackungseinheit: 650 Stück
Packaging unit: 650 pcs



Abspulrichtung - Reel off Direction



Leiterplatten-Layout für SMT
PCB-Layout for SMT



Kontaktbezeichnung bei Pin 1
contact marking at pin 1

vergrößerte Löt pads
enlarged solder pads

Copyright by ERNI Production GmbH & Co. KG
Proprietary notice pursuant to ISO 16016 to be observed.

Information:		Tolerances	 All Dimensions in mm	Scale	5:1		
All rights reserved. Only for Information. To ensure that this is the latest version of this drawing, please contact one of the ERNI companies before using.		Subject to modification without prior notice. Drawing will not be updated.		Designation		M 1,27 SRC P, 3-polig BA1	
 www.ERNI.com		101403240001				K	
d	22.03.2016					A3	
Index	Date			Class		SRCP	