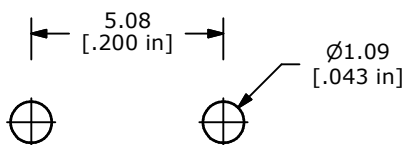
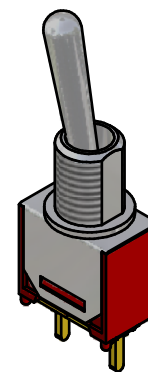
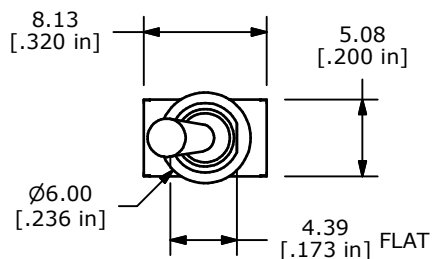


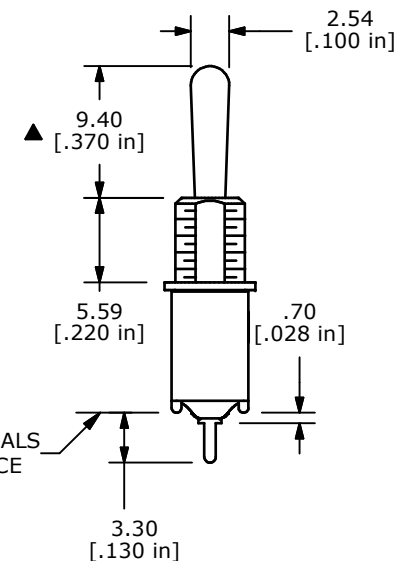
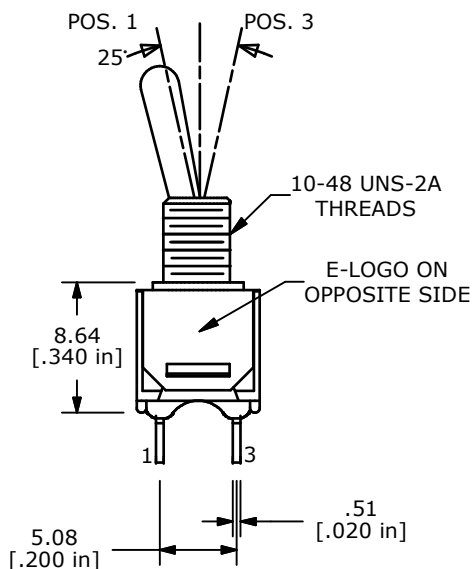
PANEL MOUNTING



P.C. MOUNTING

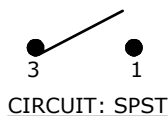


ISOMETRIC



NO EPOXY ON TERMINALS BELOW THIS SURFACE

SWITCH FUNCTION		
POS. 1	POS. 2	POS. 3
OFF	NONE	ON
OPEN	N/A	3-1



NOTE:

1. ALL DIMENSIONS IN MM [INCH]
2. GENERAL TOLERANCE: X.X=±0.4  
X.XX=±0.25
3. TERMINAL NUMBERS FOR REF ONLY
4. PLATING MATERIAL: GOLD
- ▲ 5. RATING: 0.4VA MAX. @20V AC OR DC.
6. ELECTRIC LIFE: 30,000 MAKE-AND-BREAK CYCLES AT FULL LOAD.
7. INSULATION RESISTANCE: 1,000 MEGA-OHM MIN.
8. DIELECTRIC STRENGTH: 1,000 V RMS @SEA LEVEL.
9. OPERATING TEMP.: -30°C to 85°C
10. ▲ DENOTES CRITICAL PARAMETER.
11. 2002/95/EC (ROHS) COMPLIANT
- ▲ 12. HARDWARE TO BE SHIPPED BULK  
T200001 - HEX NUT - QTY 2  
T200000 - LOCK WASHER - QTY 1  
T200002 - LOCK RING - QTY 1



A	17739	RELEASED FOR PRODUCTION	10/9/07	BF
REV	PCR NO	DESCRIPTION	DATE	BY

TITLE 200MSP6T1B1M2REH				
SCALE	DATE	DR	DWG	REV
2:1	10/9/2007	BF	ST211118	A

THE INFORMATION CONTAINED IN THIS DOCUMENT IS PROPRIETARY TO E-SWITCH AND IS NOT TO BE COPIED OR TRANSFERRED