

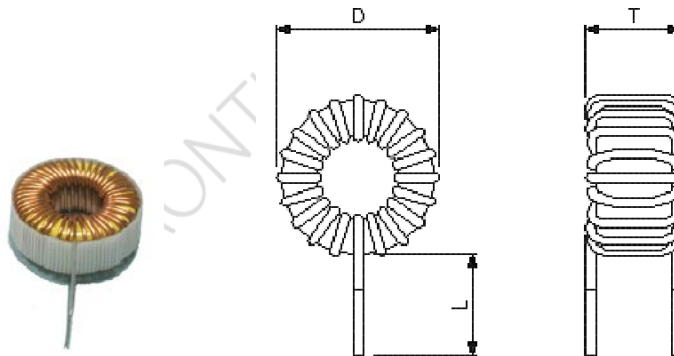
A. Electrical Specifications:

Part Number	L (uH)	DCR Max. (Ω)	Rated Current (A rms.)
3011I101	10 ± 15%	0.02	5.0
3011I102	15 ± 15%	0.03	3.0
3011I103	18 ± 15%	0.05	1.0
3011I104	40 ± 15%	0.09	1.0

B. Dimensions: mm (Inch)

Series	D	T	L	Wire Size
3011I101	16.0 (0.630)	10 (0.394)	12.7 (0.5)	1.0 (0.039)
3011I102	15.0 (0.591)	10 (0.394)	9.7 (0.382)	0.8 (0.031)
3011I103	15.5 (0.610)	8.5 (0.335)	12.7 (0.5)	0.5 (0.020)
3011I104	15.5 (0.610)	8.5 (0.335)	12.7 (0.5)	0.5 (0.020)

C. Mechanical Dimensions: (Unit: mm / Inch)



D. General Information:

1. Test Condition: 1.0 KHz / 0.25V.
2. Electrical specifications at 25°C.
3. Maximum Temperature Rise: 40°C (when measured at 25°C ambient).
4. Operating temperature: -20°C TO +105°C.
5. Insulation Resistance: 100M OHMS at 500VDC.
6. Rated Voltage: 100V to 270V / 50-60 Hz.
7. Hi-Pot Voltage: 1500VAC for one minute.
8. Unspecified values available on request.
9. MSL: Level 1.