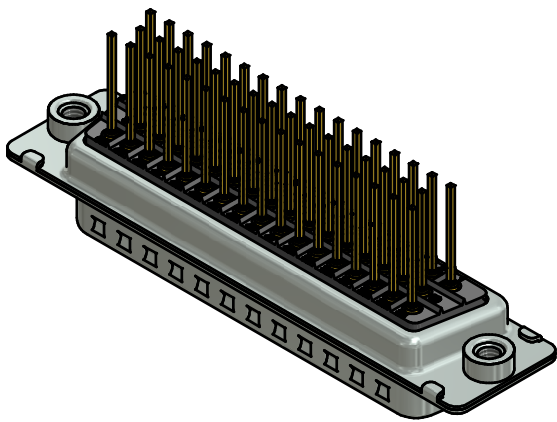
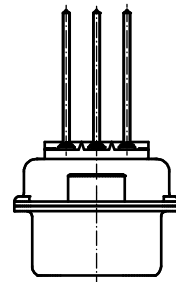
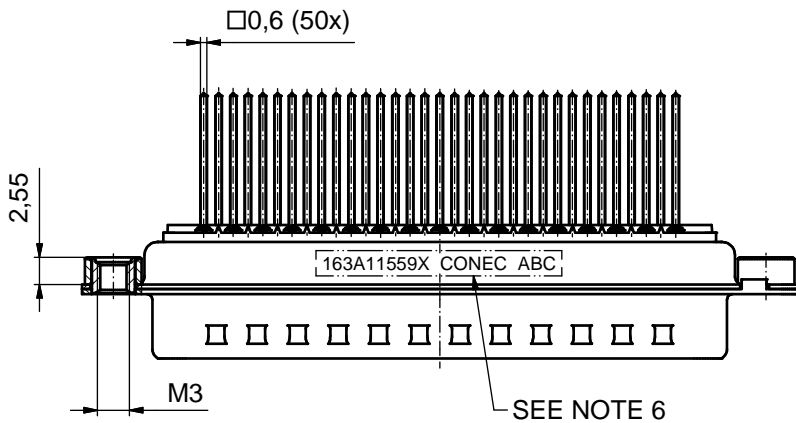
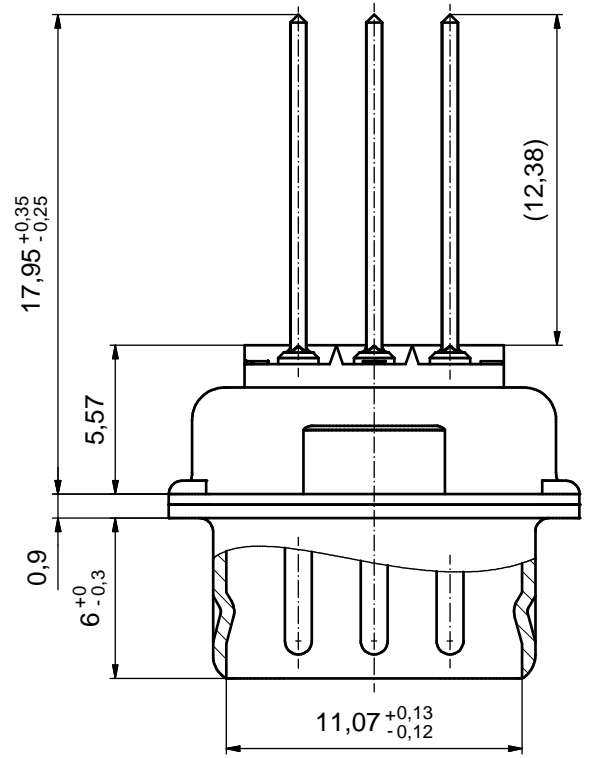
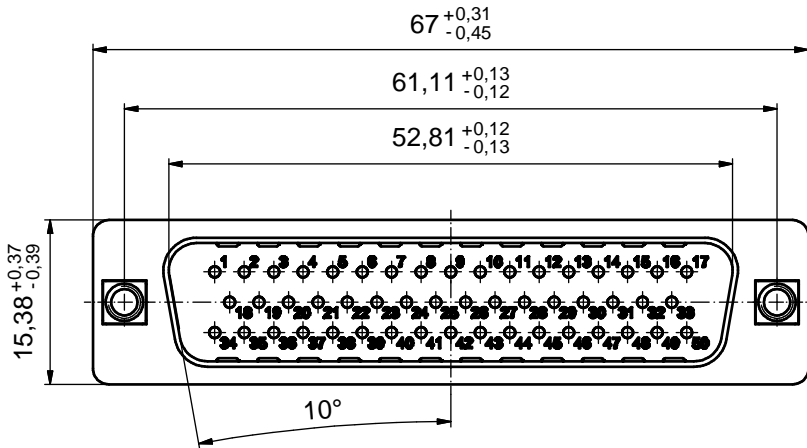


(5:1)



NOTES:

1. METALSHELLS: STEEL; min. 315µm TIN over 40-80µm NICKEL
2. INSULATORS: PBT GF UL 94 V-0, BLACK
3. CONTACTS: COPPER ALLOY
PLATING: GOLD FLASH over NICKEL
4. THREADED INSERTS: COPPER ALLOY; min. 200µm TIN over 80µm NICKEL
5. COLLARS: COPPER ALLOY; min. 200µm TIN over 80µm NICKEL
6. CONNECTOR IS PART MARKET: 163A11559X CONEC ABC

Directive 2002/95/EC RoHS compliant

THIS DRAWING MAY NOT BE COPIED OR REPRODUCED IN ANY WAY, AND MAY NOT BE PASSED ON TO A THIRD PARTY WITHOUT WRITTEN PERMISSION. OWNERSHIP AND COPYRIGHT OF CONEC GmbH DO NOT ALTER CAD DRAWING BY HAND	tolerance		dim. in mm		scale: 2:1 (5:1)		
					material: SEE NOTES		
	date	name		title: D-SUB MALE 50pos. WIRE WRAP with threaded insert			
	drawn	16.04.12	Lehmenkühler				
	appd.	16.04.12	Fischer				
norm							
d-old			dwg no:		DIN-A3		
a	Original			16K1A3058			
rev.	description	date	name	part no: 163A11559X		sh: 1	

